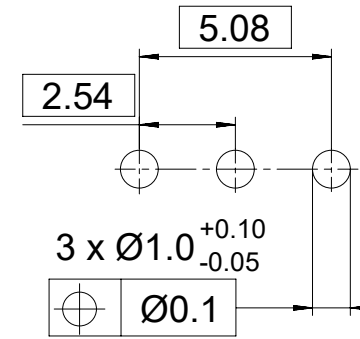
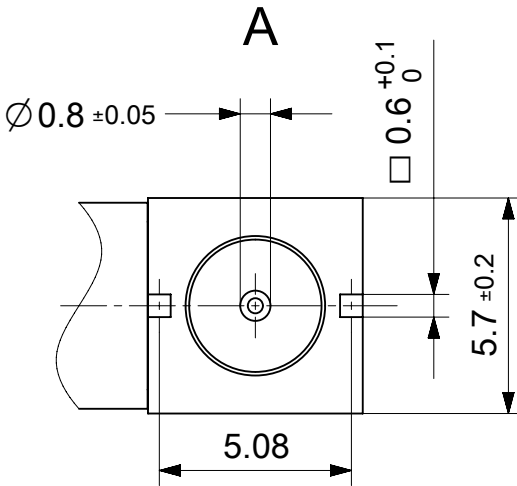
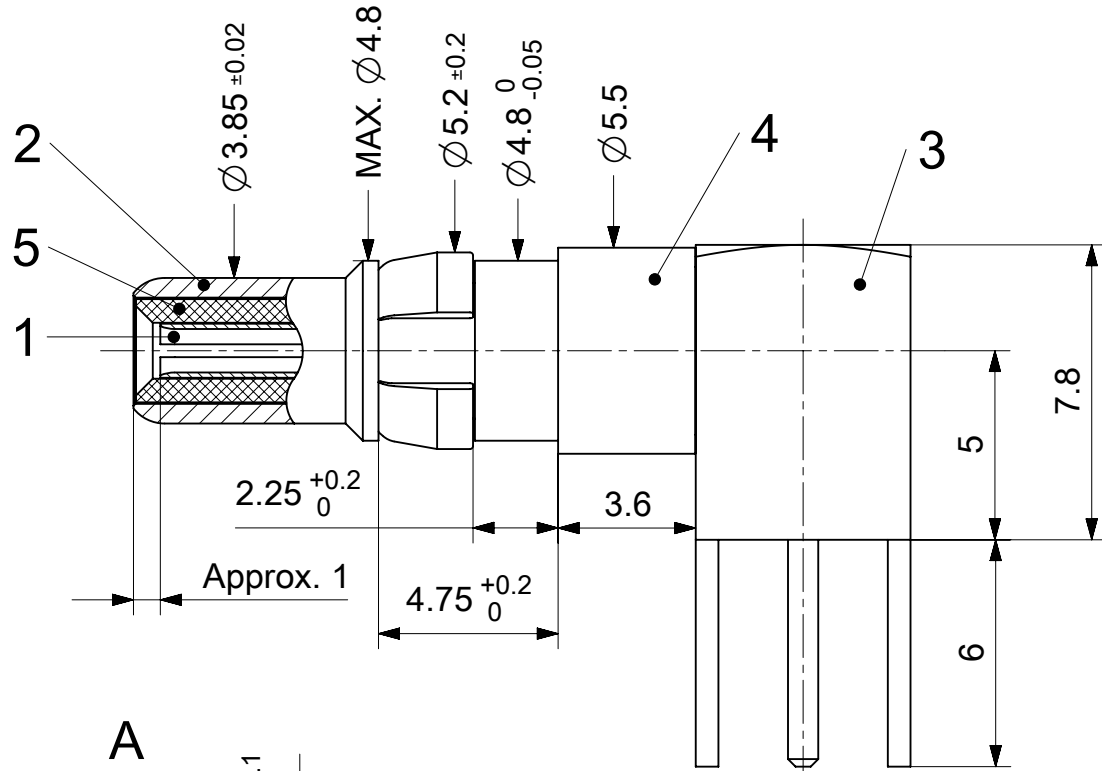


2:1

PCB-Layout



1731120823	FME008P101	101
1727040129	FME008P102	102
1731140044	FME008P128	128
1731121072	FME008P202	202
Material Number	FCT Part Number	Material + Finish See extra sheet



RoHS compliant
by exemption

UNLESS OTHERWISE SPECIFIED DIMENSIONS FOR REFERENCE ONLY		REPLACEMENT FOR DOCUMENT NUMBER: FME008P	
FUNCTIONAL SYMBOLS	THIS DRAWING CONTAINS INFORMATION THAT IS PROPRIETARY TO MOLEX ELECTRONIC TECHNOLOGIES, LLC AND SHOULD NOT BE USED WITHOUT WRITTEN PERMISSION		
$\frac{F}{A} = 0$ $\frac{F}{E} = 0$ $\frac{F}{P} = 0$	DIMENSION UNITS: mm SCALE: 5:1	CURRENT REV DESC:	
	GENERAL TOLERANCES (UNLESS SPECIFIED)	EC NO: 710158	
	ANGULAR TOL ± °	4 PLACES ±	2021/04/16
		3 PLACES ±	2022/06/13
		2 PLACES ±	2022/06/13
		1 PLACE ±	
		0 PLACES ±	
DIVISIONAL SYMBOLS		INITIAL REVISION:	DOCUMENT NUMBER
		DRWN: VLOKESHA	1731120823
		APPR: FVETTER	PSD
			000
			A
DRAFT WHERE APPLICABLE MUST REMAIN WITHIN DIMENSIONS	FIRST ANGLE PROJECTION	DRAWING	SHEET NUMBER
		A4-SIZE	1 OF 1
		SERIES	MATERIAL NUMBER
		173112	SEE TABLE
		CUSTOMER	GENERAL MARKET