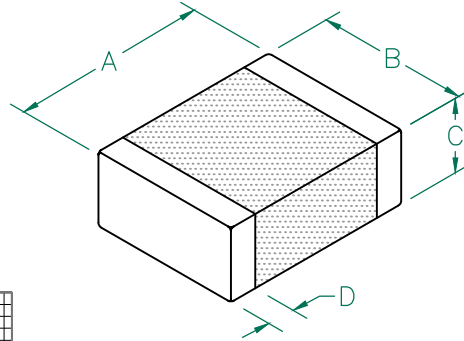


# MI1210K600R-10

## PHYSICAL DIMENSIONS:

|   |             |               |
|---|-------------|---------------|
| A | 3.20 [.126] | + 0.20 [.008] |
| B | 2.50 [.098] | + 0.20 [.008] |
| C | 1.40 [.055] | + 0.20 [.008] |
| D | 0.46 [.018] | + 0.20 [.008] |

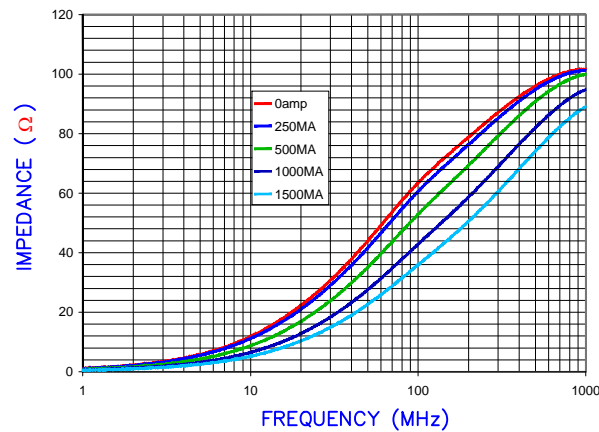


## ELECTRICAL CHARACTERISTICS:

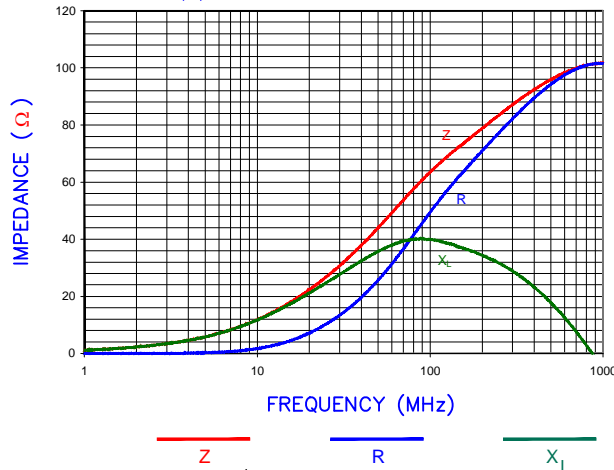
|         | Z @ 100MHz<br>( $\Omega$ ) | DCR<br>( $\Omega$ ) | Rated<br>Current |
|---------|----------------------------|---------------------|------------------|
| Nominal | 60                         |                     |                  |
| Minimum | 45                         |                     |                  |
| Maximum | 75                         | 0.035               | 1500 mA          |

- NOTES: UNLESS OTHERWISE SPECIFIED
1. TAPED AND REELED per CURRENT EIA SPECIFICATIONS 7" REELS, 3000 PCS/REEL. EMBOSSED PLASTIC TAPE.
  2. COMPONENTS SHOULD BE ADEQUATELY PREHEATED BEFORE SOLDERING.
  3. TERMINATION FINISH IS 100% TIN.
  4. OPERATING TEMP. RANGE:  $-40^{\circ}\text{C} \sim +125^{\circ}\text{C}$ . (INCLUDING SELF-HEATING)

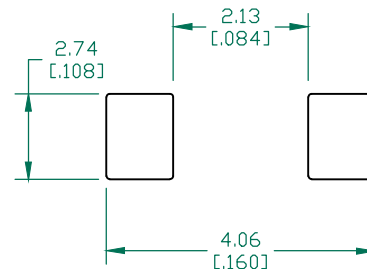
Z vs FREQUENCY  
IMPEDANCE UNDER DC BIAS



|Z|, R, AND X vs. FREQUENCY

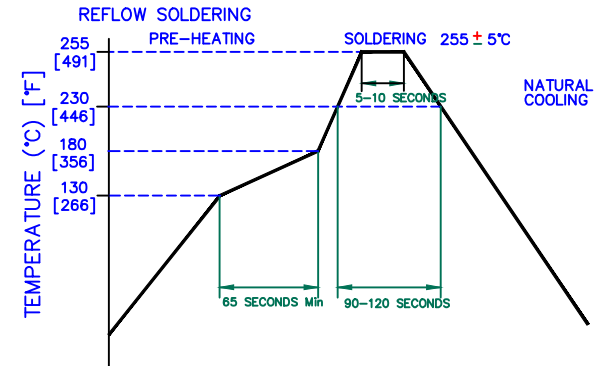


## LAND PATTERNS FOR REFLOW SOLDERING



(For wave soldering, add 0.762 (0.030) to this dimension)

## RECOMMENDED SOLDERING CONDITIONS



| DIMENSIONS ARE IN mm [INCHES] |   |          |     | This print is the property of Laird Tech. and is loaned in confidence subject to return upon request and with the understanding that no copies shall be made without the written consent of Laird Tech. All rights to design or invention are reserved. |  | <b>Laird</b>    |                       |                  |
|-------------------------------|---|----------|-----|---|--|-----------------|-----------------------|------------------|
| D                             | ADD OPERATING TEMPERATURE<br>UPDATE LAIRD LOGO AND REFLOW CURVE | 08/05/13 | QU  | PROJECT/PART NUMBER:<br><b>MI1210K600R-10</b>   |  | REV<br><b>D</b> | PART TYPE:<br>CO-FIRE | DRAWN BY:<br>JRK |
| C                             | UPDATE COMPANY LOGO   | 08/26/08 | JRK | DATE:<br>04/13/04   |  | SCALE:<br>NTS   | SHEET:<br>1 of 1      |                  |
| B                             | ADD ROHS SYMBOL; UPDATE TAPE NOTE;<br>UPDATE COMPANY LOGO       | 08/31/07 | JRK | CAD #<br>MI1210K600R-10-D   |  | TOOL #<br>-     |                       |                  |
| A                             | ORIGINAL DRAFT  | 04/13/04 | JRK |   |  |                 |                       |                  |
| REV                           | DESCRIPTION   | DATE     | INT |   |  |                 |                       |                  |