

National Semiconductor is now part of
Texas Instruments.

Search <http://www.ti.com/> for the latest technical
information and details on our current products and services.

LMV821 Single/ LMV822 Dual/ LMV824 Quad

Low Voltage, Low Power, R-to-R Output, 5 MHz Op Amps

General Description

The LMV821/LMV822/LMV824 bring performance and economy to low voltage / low power systems. With a 5 MHz unity-gain frequency and a guaranteed 1.4 V/ μ s slew rate, the quiescent current is only 220 μ A/amplifier (2.7 V). They provide rail-to-rail (R-to-R) output swing into heavy loads (600 Ω Guarantees). The input common-mode voltage range includes ground, and the maximum input offset voltage is 3.5mV (Guaranteed). They are also capable of comfortably driving large capacitive loads (refer to the application notes section).

The LMV821 (single) is available in the ultra tiny SC70-5 package, which is about half the size of the previous title holder, the SOT23-5.

Overall, the LMV821/LMV822/LMV824 (Single/Dual/Quad) are low voltage, low power, performance op amps, that can be designed into a wide range of applications, at an economical price.

Features

(For Typical, 5 V Supply Values; Unless Otherwise Noted)

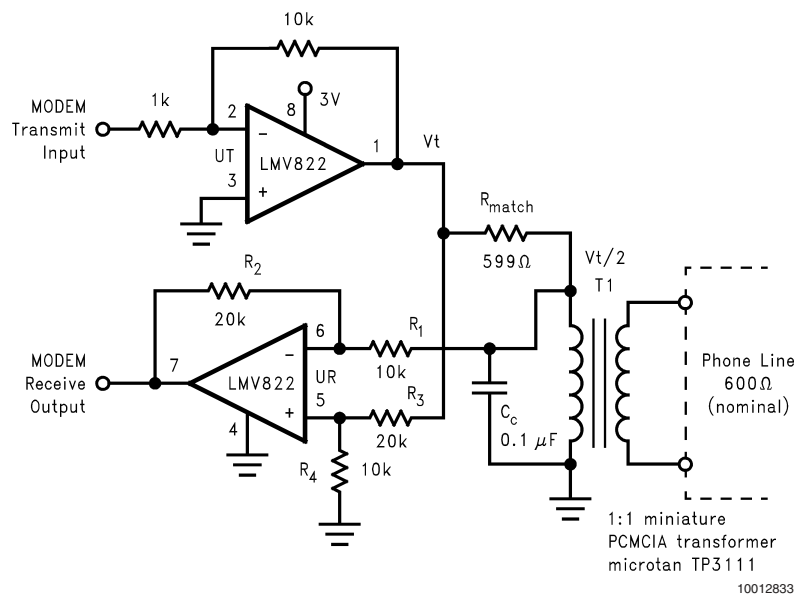
- Ultra Tiny, SC70-5 Package 2.0 x 2.0 x 1.0 mm
- Guaranteed 2.5 V, 2.7 V and 5 V Performance

- Maximum VOS 3.5 mV (Guaranteed)
- VOS Temp. Drift 1 μ V/ $^{\circ}$ C
- GBW product @ 2.7 V 5 MHz
- I_{Supply} @ 2.7 V 220 μ A/Amplifier
- Minimum SR 1.4 V/ μ s (Guaranteed)
- CMRR 90 dB
- PSRR 85 dB
- V_{CM} @ 5V -0.3V to 4.3V
- Rail-to-Rail (R-to-R) Output Swing
 - @600 Ω Load 160 mV from rail
 - @10 k Ω Load 55 mV from rail
- Stable with High Capacitive Loads (Refer to Application Section)

Applications

- Cordless Phones
- Cellular Phones
- Laptops
- PDAs
- PCMCIA

Telephone-line Transceiver for a PCMCIA Modem Card



Absolute Maximum Ratings (Note 1)

If Military/Aerospace specified devices are required, please contact the National Semiconductor Sales Office/ Distributors for availability and specifications.

| | |
|----------------------------------------|------------------|
| ESD Tolerance (Note 2) | |
| Machine Model | 100V |
| Human Body Model | |
| LMV822/824 | 2000V |
| LMV821 | 1500V |
| Differential Input Voltage | ± Supply Voltage |
| Supply Voltage ($V^+ - V^-$) | 5.5V |
| Output Short Circuit to V^+ (Note 3) | |
| Output Short Circuit to V^- (Note 3) | |
| Soldering Information | |
| Infrared or Convection (20 sec) | 235°C |
| Storage Temperature Range | -65°C to 150°C |
| Junction Temperature (Note 4) | 150°C |

Operating Ratings (Note 1)

| | |
|--------------------------------------|-------------------------------|
| Supply Voltage | 2.5V to 5.5V |
| Temperature Range | |
| LMV821, LMV822, LMV824 | -40°C ≤ T _J ≤ 85°C |
| Thermal Resistance (θ_{JA}) | |
| Ultra Tiny SC70-5 Package, 5-Pin | |
| Surface Mount | 440 °C/W |
| Tiny SOT23-5 Package, 5-Pin | |
| Surface Mount | 265 °C/W |
| SO Package, 8-Pin Surface Mount | 190 °C/W |
| MSOP Package, 8-Pin Mini | |
| Surface Mount | 235 °C/W |
| SO Package, 14-Pin Surface | |
| Mount | 145 °C/W |
| TSSOP Package, 14-Pin | 155 °C/W |

2.7V DC Electrical Characteristics

Unless otherwise specified, all limits guaranteed for T_J = 25°C. V⁺ = 2.7V, V⁻ = 0V, V_{CM} = 1.0V, V_O = 1.35V and R_L > 1 MΩ. **Boldface** limits apply at the temperature extremes.

| Symbol | Parameter | Condition | Typ (Note 5) | LMV821/822/824 Limit (Note 6) | Units |
|-------------------|---------------------------------------|--------------------------------------------------------------------------------------------------|-----------------|----------------------------------|-----------|
| V _{OS} | Input Offset Voltage | | 1 | 3.5 4 | mV max |
| TCV _{OS} | Input Offset Voltage Average Drift | | 1 | | μV/°C |
| I _B | Input Bias Current | | 30 | 90 140 | nA max |
| I _{OS} | Input Offset Current | | 0.5 | 30 50 | nA max |
| CMRR | Common Mode Rejection Ratio | 0V ≤ V _{CM} ≤ 1.7V | 85 | 70 68 | dB min |
| +PSRR | Positive Power Supply Rejection Ratio | 1.7V ≤ V ⁺ ≤ 4V, V ⁻ = 1V, V _O = 0V, V _{CM} = 0V | 85 | 75 70 | dB min |
| -PSRR | Negative Power Supply Rejection Ratio | -1.0V ≤ V ⁻ ≤ -3.3V, V ⁺ = 1.7V, V _O = 0V, V _{CM} = 0V | 85 | 73 70 | dB min |
| V _{CM} | Input Common-Mode Voltage Range | For CMRR ≥ 50dB | -0.3 | -0.2 | V max |
| | | | 2.0 | 1.9 | V min |
| A _v | Large Signal Voltage Gain | Sourcing, R _L = 600Ω to 1.35V, V _O = 1.35V to 2.2V | 100 | 90 85 | dB min |
| | | Sinking, R _L = 600Ω to 1.35V, V _O = 1.35V to 0.5V | 90 | 85 80 | dB min |
| | | Sourcing, R _L = 2kΩ to 1.35V, V _O = 1.35V to 2.2V | 100 | 95 90 | dB min |
| | | Sinking, R _L = 2kΩ to 1.35, V _O = 1.35 to 0.5V | 95 | 90 85 | dB min |

2.7V DC Electrical Characteristics (Continued)

Unless otherwise specified, all limits guaranteed for $T_J = 25^\circ\text{C}$. $V^+ = 2.7\text{V}$, $V^- = 0\text{V}$, $V_{\text{CM}} = 1.0\text{V}$, $V_O = 1.35\text{V}$ and $R_L > 1\text{M}\Omega$. **Boldface** limits apply at the temperature extremes.

| Symbol | Parameter | Condition | Typ (Note 5) | LMV821/822/824 Limit (Note 6) | Units |
|--------|----------------|-----------------------------------------------------------------|-----------------|----------------------------------|-----------|
| V_O | Output Swing | $V^+ = 2.7\text{V}$, $R_L = 600\Omega$ to 1.35V | 2.58 | 2.50 2.40 | V min |
| | | | 0.13 | 0.20 0.30 | V max |
| | | $V^+ = 2.7\text{V}$, $R_L = 2\text{k}\Omega$ to 1.35V | 2.66 | 2.60 2.50 | V min |
| | | | 0.08 | 0.120 0.200 | V max |
| I_O | Output Current | Sourcing, $V_O = 0\text{V}$ | 16 | 12 | mA min |
| | | Sinking, $V_O = 2.7\text{V}$ | 26 | 12 | mA min |
| I_S | Supply Current | LMV821 (Single) | 0.22 | 0.3 0.5 | mA max |
| | | LMV822 (Dual) | 0.45 | 0.6 0.8 | mA max |
| | | LMV824 (Quad) | 0.72 | 1.0 1.2 | mA max |

2.5V DC Electrical Characteristics

Unless otherwise specified, all limits guaranteed for $T_J = 25^\circ\text{C}$. $V^+ = 2.5\text{V}$, $V^- = 0\text{V}$, $V_{\text{CM}} = 1.0\text{V}$, $V_O = 1.25\text{V}$ and $R_L > 1\text{M}\Omega$. **Boldface** limits apply at the temperature extremes.

| Symbol | Parameter | Condition | Typ (Note 5) | LMV821/822/824 Limit (Note 6) | Units |
|-----------------|----------------------|-----------------------------------------------------------------|-----------------|----------------------------------|-----------|
| V_{OS} | Input Offset Voltage | | 1 | 3.5 4 | mV max |
| V_O | Output Swing | $V^+ = 2.5\text{V}$, $R_L = 600\Omega$ to 1.25V | 2.37 | 2.30 2.20 | V min |
| | | | 0.13 | 0.20 0.30 | V max |
| | | $V^+ = 2.5\text{V}$, $R_L = 2\text{k}\Omega$ to 1.25V | 2.46 | 2.40 2.30 | V min |
| | | | 0.08 | 0.12 0.20 | V max |

2.7V AC Electrical Characteristics

Unless otherwise specified, all limits guaranteed for $T_J = 25^\circ\text{C}$. $V^+ = 2.7\text{V}$, $V^- = 0\text{V}$, $V_{\text{CM}} = 1.0\text{V}$, $V_O = 1.35\text{V}$ and $R_L > 1\text{M}\Omega$. **Boldface** limits apply at the temperature extremes.

| Symbol | Parameter | Conditions | Typ (Note 5) | LMV821/822/824 Limit (Note 6) | Units |
|----------|-----------------------------|-------------------------------------------------|-----------------|----------------------------------|--------------------------------------|
| SR | Slew Rate | (Note 7) | 1.5 | | V/ μs |
| GBW | Gain-Bandwidth Product | | 5 | | MHz |
| Φ_m | Phase Margin | | 61 | | Deg. |
| G_m | Gain Margin | | 10 | | dB |
| | Amp-to-Amp Isolation | (Note 8) | 135 | | dB |
| e_n | Input-Related Voltage Noise | $f = 1\text{kHz}$, $V_{\text{CM}} = 1\text{V}$ | 28 | | $\frac{\text{nV}}{\sqrt{\text{Hz}}}$ |

2.7V AC Electrical Characteristics (Continued)

Unless otherwise specified, all limits guaranteed for $T_J = 25^\circ\text{C}$. $V^+ = 2.7\text{V}$, $V^- = 0\text{V}$, $V_{\text{CM}} = 1.0\text{V}$, $V_O = 1.35\text{V}$ and $R_L > 1\text{M}\Omega$. **Boldface** limits apply at the temperature extremes.

| Symbol | Parameter | Conditions | Typ (Note 5) | LMV821/822/824 Limit (Note 6) | Units |
|--------|------------------------------|---------------------------------------------------------------------------------------------------|-----------------|----------------------------------|--------------------------------------|
| i_n | Input-Referred Current Noise | $f = 1\text{ kHz}$ | 0.1 | | $\frac{\text{pA}}{\sqrt{\text{Hz}}}$ |
| THD | Total Harmonic Distortion | $f = 1\text{ kHz}$, $A_V = -2$, $R_L = 10\text{ k}\Omega$, $V_O = 4.1\text{ V}_{\text{PP}}$ | 0.01 | | % |

5V DC Electrical Characteristics

Unless otherwise specified, all limits guaranteed for $T_J = 25^\circ\text{C}$. $V^+ = 5\text{V}$, $V^- = 0\text{V}$, $V_{\text{CM}} = 2.0\text{V}$, $V_O = 2.5\text{V}$ and $R_L > 1\text{M}\Omega$. **Boldface** limits apply at the temperature extremes.

| Symbol | Parameter | Condition | Typ (Note 5) | LMV821/822/824 Limit (Note 6) | Units |
|--------------------------|---------------------------------------|-------------------------------------------------------------------------------------------------------------------------------------------------------------------------------------------------------------------------------------------------------------------------------------------------------------------------------|------------------------------------------|----------------------------------------------------------------------------------------------------------|--------------------------------------------------|
| V_{OS} | Input Offset Voltage | | 1 | 3.5 4.0 | mV max |
| TCV_{OS} | Input Offset Voltage Average Drift | | 1 | | $\mu\text{V}/^\circ\text{C}$ |
| I_B | Input Bias Current | | 40 | 100 150 | nA max |
| I_{OS} | Input Offset Current | | 0.5 | 30 50 | nA max |
| CMRR | Common Mode Rejection Ratio | $0\text{V} \leq V_{\text{CM}} \leq 4.0\text{V}$ | 90 | 72 70 | dB min |
| +PSRR | Positive Power Supply Rejection Ratio | $1.7\text{V} \leq V^+ \leq 4\text{V}$, $V^- = 1\text{V}$, $V_O = 0\text{V}$, $V_{\text{CM}} = 0\text{V}$ | 85 | 75 70 | dB min |
| -PSRR | Negative Power Supply Rejection Ratio | $-1.0\text{V} \leq V^- \leq -3.3\text{V}$, $V^+ = 1.7\text{V}$, $V_O = 0\text{V}$, $V_{\text{CM}} = 0\text{V}$ | 85 | 73 70 | dB min |
| V_{CM} | Input Common-Mode Voltage Range | For CMRR $\geq 50\text{dB}$ | -0.3 4.3 | -0.2 4.2 | V max V min |
| A_V | Large Signal Voltage Gain | Sourcing, $R_L = 600\Omega$ to 2.5V , $V_O = 2.5$ to 4.5V Sinking, $R_L = 600\Omega$ to 2.5V , $V_O = 2.5$ to 0.5V Sourcing, $R_L = 2\text{k}\Omega$ to 2.5V , $V_O = 2.5$ to 4.5V Sinking, $R_L = 2\text{k}\Omega$ to 2.5 , $V_O = 2.5$ to 0.5V | 105 105 105 105 | 95 90 95 90 95 90 95 90 | dB min dB min dB min dB min |
| V_O | Output Swing | $V^+ = 5\text{V}$, $R_L = 600\Omega$ to 2.5V $V^+ = 5\text{V}$, $R_L = 2\text{k}\Omega$ to 2.5V | 4.84 0.17 4.90 0.10 | 4.75 4.70 0.250 .30 4.85 4.80 0.15 0.20 | V min V max V min V max |

5V DC Electrical Characteristics (Continued)

Unless otherwise specified, all limits guaranteed for $T_J = 25^\circ\text{C}$. $V^+ = 5\text{V}$, $V^- = 0\text{V}$, $V_{\text{CM}} = 2.0\text{V}$, $V_O = 2.5\text{V}$ and $R_L > 1\text{M}\Omega$.

Boldface limits apply at the temperature extremes.

| Symbol | Parameter | Condition | Typ (Note 5) | LMV821/822/824 Limit (Note 6) | Units |
|--------|----------------|-----------------------------|-----------------|----------------------------------|-----------|
| I_O | Output Current | Sourcing, $V_O = 0\text{V}$ | 45 | 20 15 | mA min |
| | | Sinking, $V_O = 5\text{V}$ | 40 | 20 15 | mA min |
| I_S | Supply Current | LMV821 (Single) | 0.30 | 0.4 0.6 | mA max |
| | | LMV822 (Dual) | 0.5 | 0.7 0.9 | mA max |
| | | LMV824 (Quad) | 1.0 | 1.3 1.5 | mA max |

5V AC Electrical Characteristics

Unless otherwise specified, all limits guaranteed for $T_J = 25^\circ\text{C}$. $V^+ = 5\text{V}$, $V^- = 0\text{V}$, $V_{\text{CM}} = 2\text{V}$, $V_O = 2.5\text{V}$ and $R_L > 1\text{M}\Omega$.

Boldface limits apply at the temperature extremes.

| Symbol | Parameter | Conditions | Typ (Note 5) | LMV821/822/824 Limit (Note 6) | Units |
|----------|------------------------------|---------------------------------------------------------------------------------------------------|-----------------|----------------------------------|--------------------------------------|
| SR | Slew Rate | (Note 7) | 2.0 | 1.4 | V/ μs min |
| GBW | Gain-Bandwidth Product | | 5.6 | | MHz |
| Φ_m | Phase Margin | | 67 | | Deg. |
| G_m | Gain Margin | | 15 | | dB |
| | Amp-to-Amp Isolation | (Note 8) | 135 | | dB |
| e_n | Input-Related Voltage Noise | $f = 1\text{ kHz}$, $V_{\text{CM}} = 1\text{V}$ | 24 | | $\frac{\text{nV}}{\sqrt{\text{Hz}}}$ |
| i_n | Input-Referred Current Noise | $f = 1\text{ kHz}$ | 0.25 | | $\frac{\text{pA}}{\sqrt{\text{Hz}}}$ |
| THD | Total Harmonic Distortion | $f = 1\text{ kHz}$, $A_V = -2$, $R_L = 10\text{ k}\Omega$, $V_O = 4.1\text{ V}_{\text{PP}}$ | 0.01 | | % |

Note 1: Absolute Maximum Ratings indicate limits beyond which damage to the device may occur. Operating Ratings indicate conditions for which the device is intended to be functional, but specific performance is not guaranteed. For guaranteed specifications and the test conditions, see the Electrical Characteristics.

Note 2: Human body model, 1.5 k Ω in series with 100 pF. Machine model, 200 Ω in series with 100 pF.

Note 3: Applies to both single-supply and split-supply operation. Continuous short circuit operation at elevated ambient temperature can result in exceeding the maximum allowed junction temperature of 150 $^\circ\text{C}$. Output currents in excess of 45 mA over long term may adversely affect reliability.

Note 4: The maximum power dissipation is a function of $T_{J(\text{max})}$, θ_{JA} , and T_A . The maximum allowable power dissipation at any ambient temperature is $P_D = (T_{J(\text{max})} - T_A)/\theta_{\text{JA}}$. All numbers apply for packages soldered directly into a PC board.

Note 5: Typical Values represent the most likely parametric norm.

Note 6: All limits are guaranteed by testing or statistical analysis.

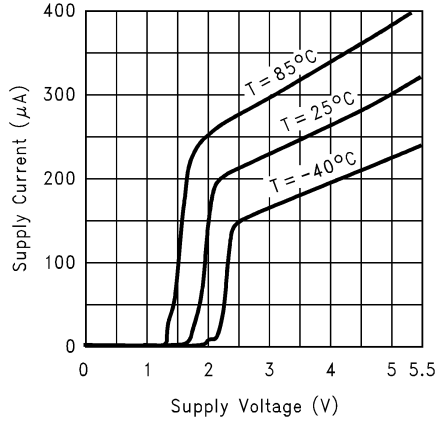
Note 7: $V^+ = 5\text{V}$. Connected as voltage follower with 3V step input. Number specified is the slower of the positive and negative slew rates.

Note 8: Input referred, $V^+ = 5\text{V}$ and $R_L = 100\text{k}\Omega$ connected to 2.5V. Each amp excited in turn with 1 kHz to produce $V_O = 3\text{V}_{\text{PP}}$.

Typical Performance Characteristics

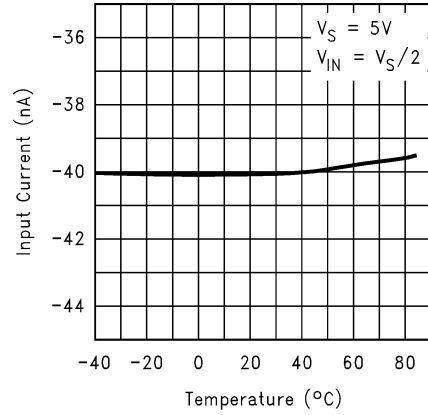
Unless otherwise specified, $V_S = +5V$, single supply,
 $T_A = 25^\circ C$.

Supply Current vs. Supply Voltage (LMV821)



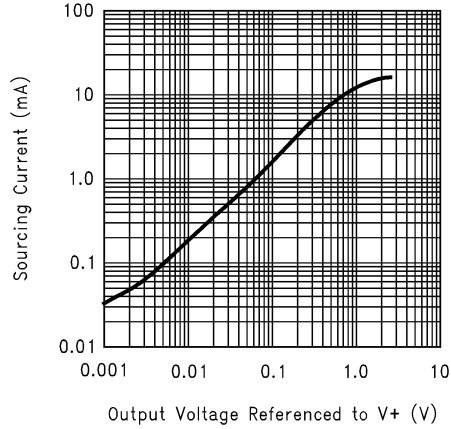
10012801

Input Current vs. Temperature



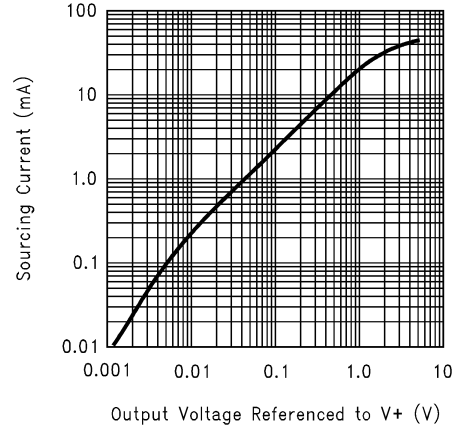
10012802

Sourcing Current vs. Output Voltage ($V_S = 2.7V$)



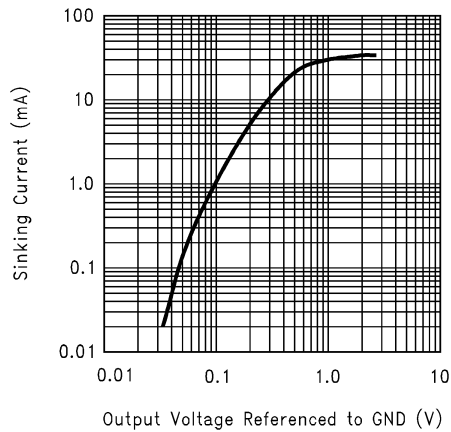
10012803

Sourcing Current vs Output Voltage ($V_S = 5V$)



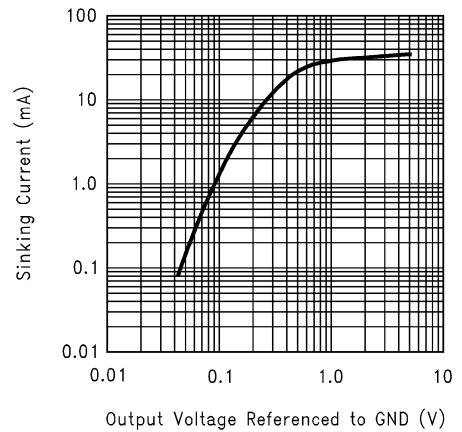
10012804

Sinking Current vs. Output Voltage ($V_S = 2.7V$)



10012805

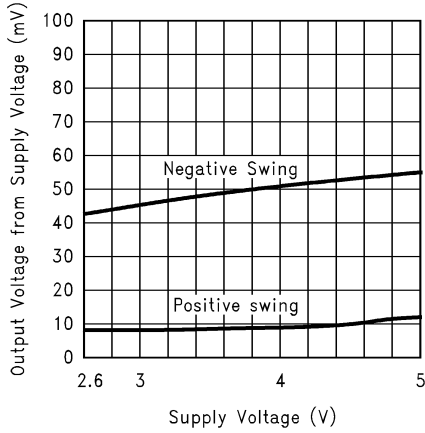
Sinking Current vs. Output Voltage ($V_S = 5V$)



10012806

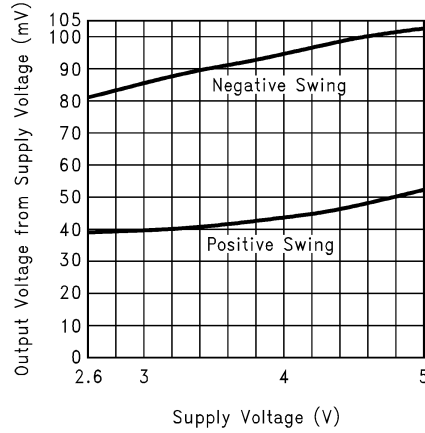
Typical Performance Characteristics Unless otherwise specified, $V_S = +5V$, single supply, $T_A = 25^\circ C$. (Continued)

Output Voltage Swing vs. Supply Voltage ($R_L = 10k\Omega$)



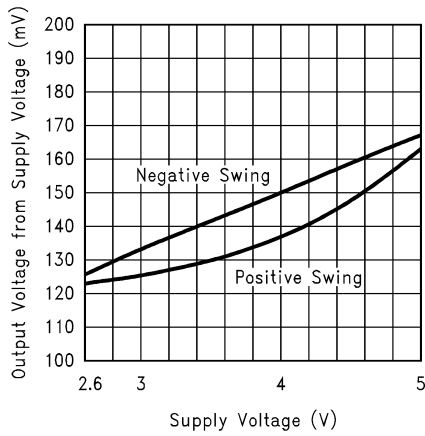
10012807

Output Voltage Swing vs. Supply Voltage ($R_L = 2k\Omega$)



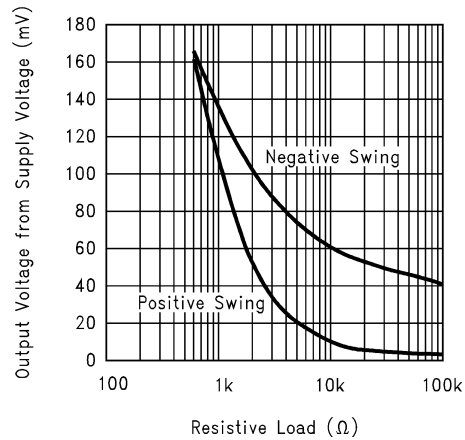
10012886

Output Voltage Swing vs. Supply Voltage ($R_L = 600\Omega$)



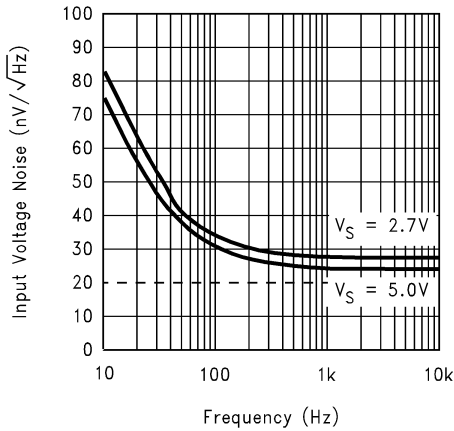
10012808

Output Voltage Swing vs. Load Resistance



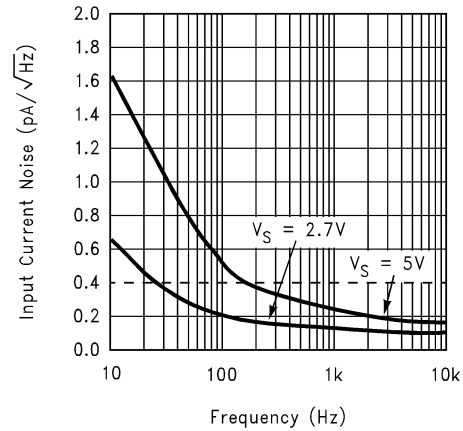
10012887

Input Voltage Noise vs. Frequency



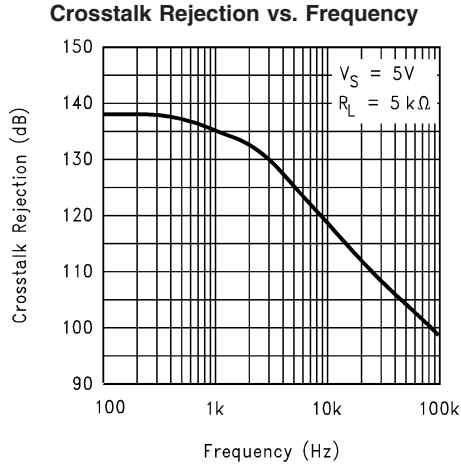
10012818

Input Current Noise vs. Frequency

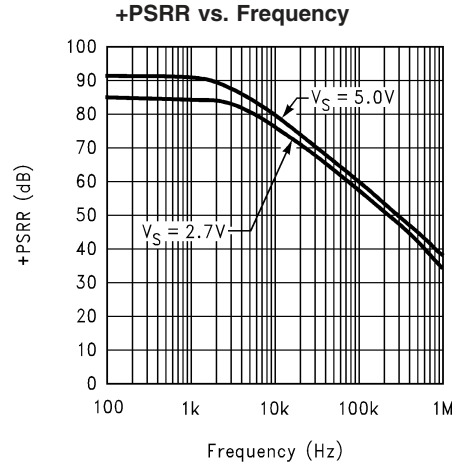


10012817

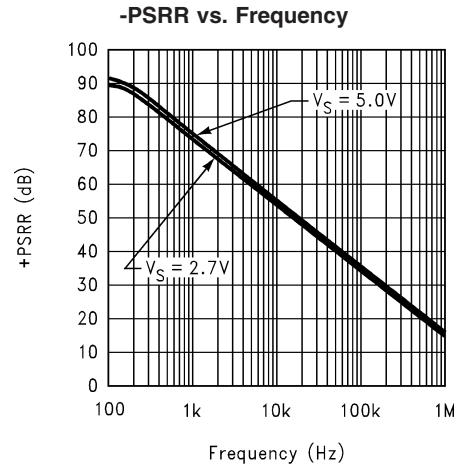
Typical Performance Characteristics Unless otherwise specified, $V_S = +5V$, single supply, $T_A = 25^\circ C$. (Continued)



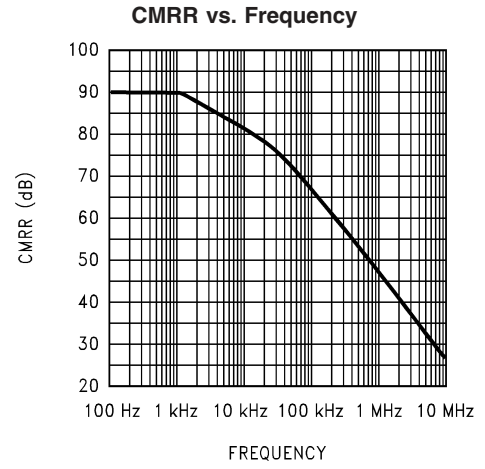
10012893



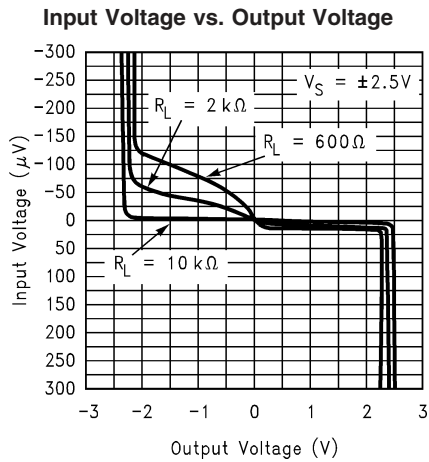
10012809



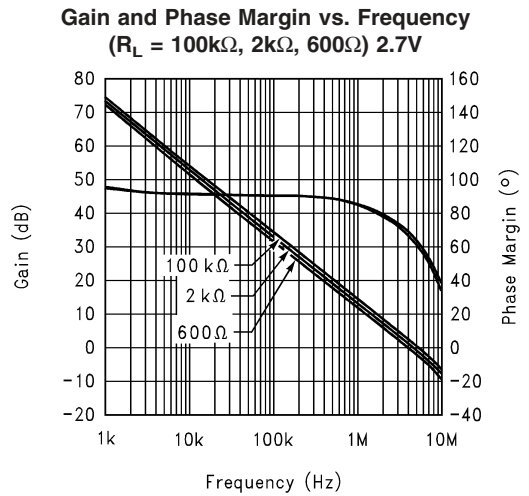
10012810



10012847



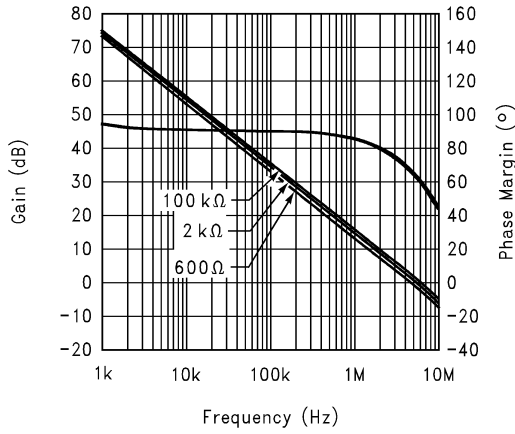
10012888



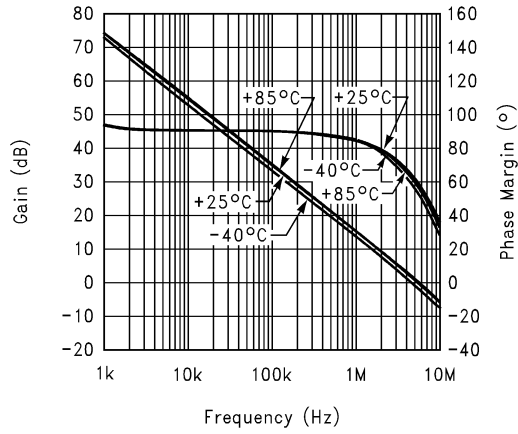
10012811

Typical Performance Characteristics Unless otherwise specified, $V_S = +5V$, single supply, $T_A = 25^\circ C$. (Continued)

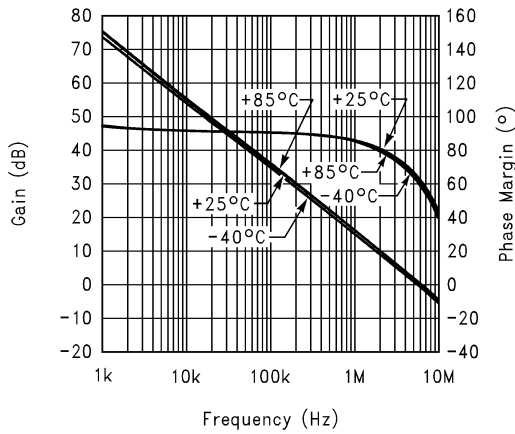
Gain and Phase Margin vs. Frequency
($R_L = 100k\Omega, 2k\Omega, 600\Omega$) 5V



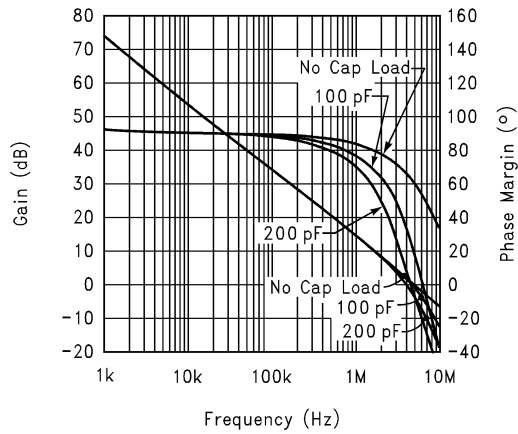
Gain and Phase Margin vs. Frequency
(Temp.= 25, -40, 85°C, $R_L = 10k\Omega$) 2.7V



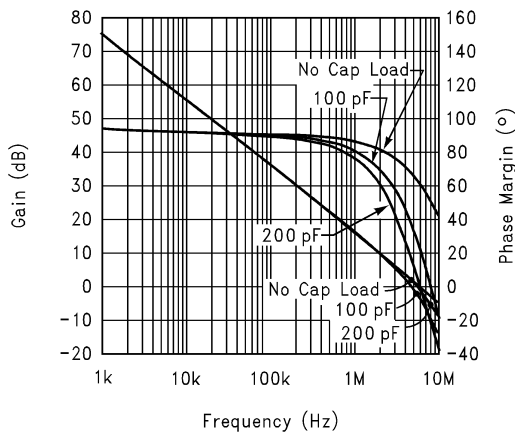
Gain and Phase Margin vs. Frequency
(Temp.= 25, -40, 85°C, $R_L = 10k\Omega$) 5V



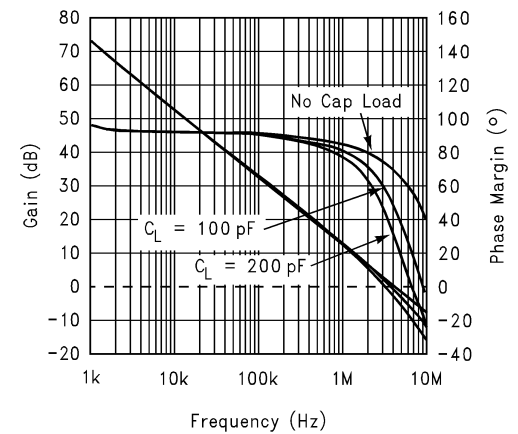
Gain and Phase Margin vs. Frequency
($C_L = 100pF, 200pF, 0pF$, $R_L = 10k\Omega$) 2.7V



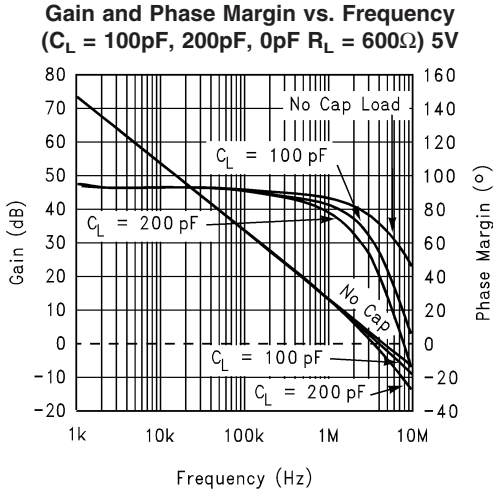
Gain and Phase Margin vs. Frequency
($C_L = 100pF, 200pF, 0pF$, $R_L = 10k\Omega$) 5V



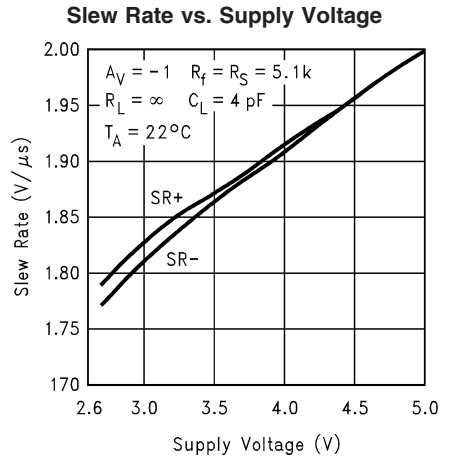
Gain and Phase Margin vs. Frequency
($C_L = 100pF, 200pF, 0pF$, $R_L = 600\Omega$) 2.7V



Typical Performance Characteristics Unless otherwise specified, $V_S = +5V$, single supply, $T_A = 25^\circ C$. (Continued)

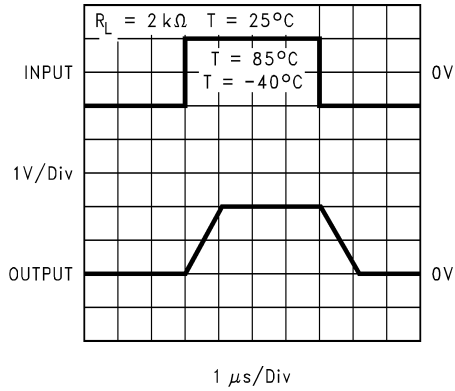


10012820



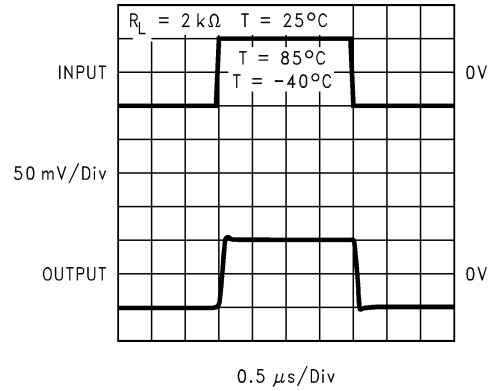
10012862

Non-Inverting Large Signal Pulse Response



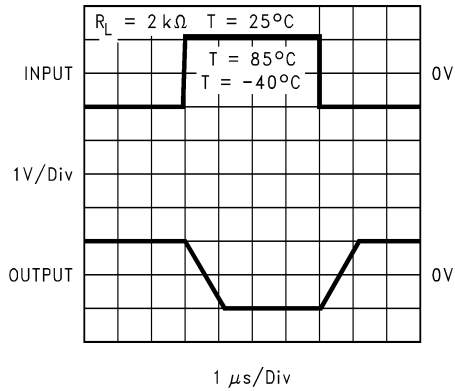
10012821

Non-Inverting Small Signal Pulse Response



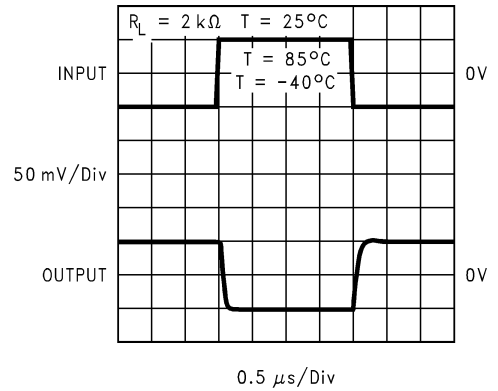
10012824

Inverting Large Signal Pulse Response



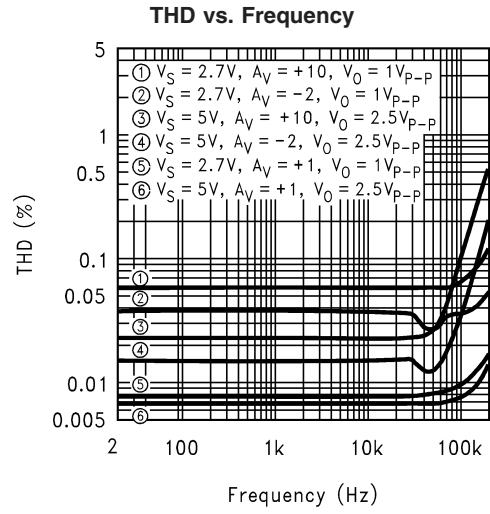
10012827

Inverting Small Signal Pulse Response



10012830

Typical Performance Characteristics Unless otherwise specified, $V_S = +5V$, single supply, $T_A = 25^\circ C$. (Continued)



10012882

Application Note

This application note is divided into two sections: design considerations and Application Circuits.

DESIGN CONSIDERATIONS

This section covers the following design considerations:

1. Frequency and Phase Response Considerations
2. Unity-Gain Pulse Response Considerations
3. Input Bias Current Considerations

FREQUENCY AND PHASE RESPONSE CONSIDERATIONS

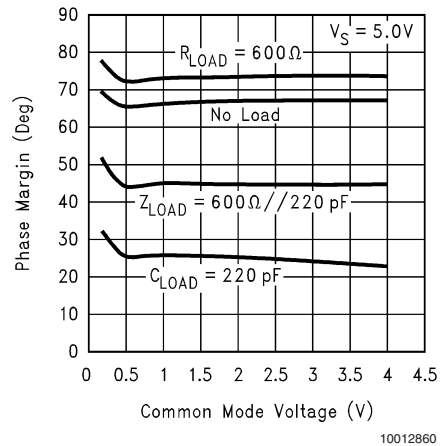
The relationship between open-loop frequency response and open-loop phase response determines the closed-loop stability performance (negative feedback). The open-loop phase response causes the feedback signal to shift towards becoming positive feedback, thus becoming unstable. The further the output phase angle is from the input phase angle, the more stable the negative feedback will operate. Phase Margin (ϕ_m) specifies this output-to-input phase relationship at the unity-gain crossover point. Zero degrees of phase-margin means that the input and output are completely in phase with each other and will sustain oscillation at the unity-gain frequency.

The AC tables show ϕ_m for a no load condition. But ϕ_m changes with load. The Gain and Phase margin vs Frequency plots in the curve section can be used to graphically determine the ϕ_m for various loaded conditions. To do this, examine the phase angle portion of the plot, find the phase margin point at the unity-gain frequency, and determine how far this point is from zero degree of phase-margin. The larger the phase-margin, the more stable the circuit operation.

The bandwidth is also affected by load. The graphs of Figure 1 and Figure 2 provide a quick look at how various loads affect the ϕ_m and the bandwidth of the LMV821/822/824 family. These graphs show capacitive loads reducing both ϕ_m and bandwidth, while resistive loads reduce the bandwidth but increase the ϕ_m . Notice how a 600Ω resistor can be

added in parallel with 220 picofarads capacitance, to increase the ϕ_m 20°(approx.), but at the price of about a 100 kHz of bandwidth.

Overall, the LMV821/822/824 family provides good stability for loaded condition.



10012860

FIGURE 1. Phase Margin vs Common Mode Voltage for Various Loads

Application Note (Continued)

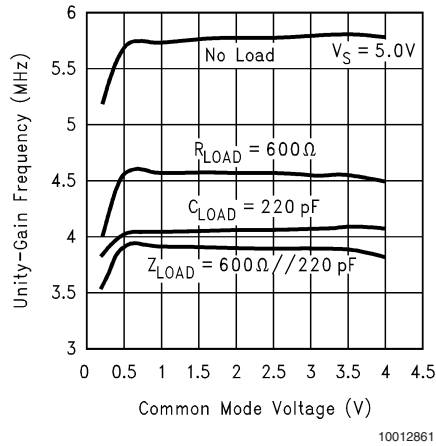


FIGURE 2. Unity-Gain Frequency vs Common Mode Voltage for Various Loads

UNITY GAIN PULSE RESPONSE CONSIDERATION

A pull-up resistor is well suited for increasing unity-gain, pulse response stability. For example, a 600 Ω pull-up resistor reduces the overshoot voltage by about 50%, when driving a 220 pF load. *Figure 3* shows how to implement the pull-up resistor for more pulse response stability.

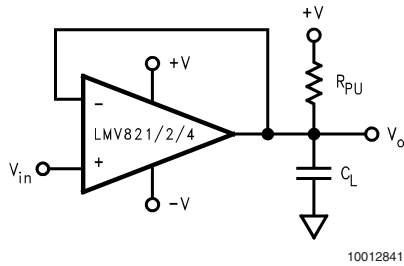


FIGURE 3. Using a Pull-up Resistor at the Output for Stabilizing Capacitive Loads

Higher capacitances can be driven by decreasing the value of the pull-up resistor, but its value shouldn't be reduced beyond the sinking capability of the part. An alternate approach is to use an isolation resistor as illustrated in *Figure 4*.

Figure 5 shows the resulting pulse response from a LMV824, while driving a 10,000 pF load through a 20Ω isolation resistor.

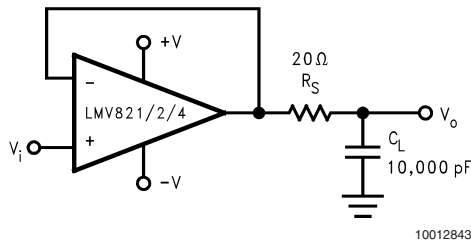


FIGURE 4. Using an Isolation Resistor to Drive Heavy Capacitive Loads

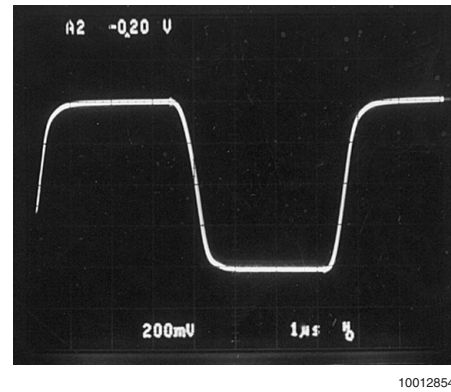


FIGURE 5. Pulse Response per Figure 4

INPUT BIAS CURRENT CONSIDERATION

Input bias current (I_B) can develop a somewhat significant offset voltage. This offset is primarily due to I_B flowing through the negative feedback resistor, R_F . For example, if I_B is 90 nA (max @ room) and R_F is 100 kΩ, then an offset of 9 mV will be developed ($V_{OS} = I_B \times R_F$). Using a compensation resistor (R_C), as shown in *Figure 6*, cancels out this affect. But the input offset current (I_{OS}) will still contribute to an offset voltage in the same manner - typically 0.05 mV at room temp.

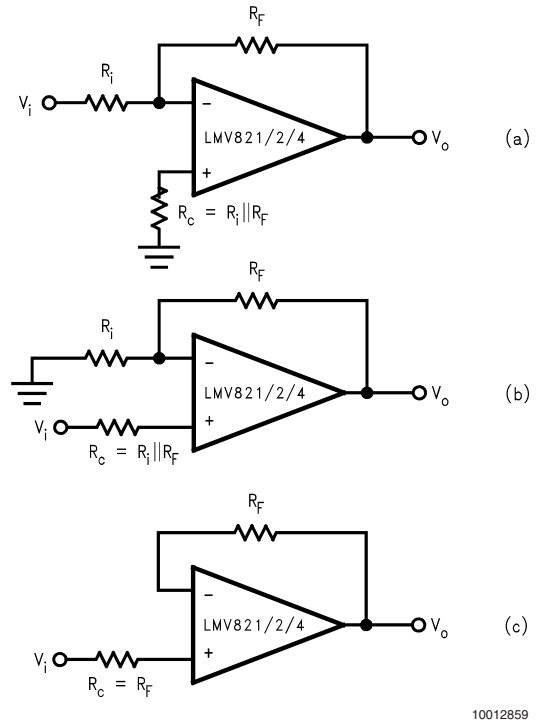


FIGURE 6. Canceling the Voltage Offset Effect of Input Bias Current

APPLICATION CIRCUITS

This section covers the following application circuits:

1. Telephone-Line Transceiver
2. "Simple" Mixer (Amplitude Modulator)

Application Note (Continued)

3. Dual Amplifier Active Filters (DAAFs)

- a. Low-Pass Filter (LPF)
- b. High-Pass Filter (HPF)

4. Tri-level Voltage Detector

TELEPHONE-LINE TRANSCIVER

The telephone-line transceiver of *Figure 7* provides a full-duplexed connection through a PCMCIA, miniature transformer. The differential configuration of receiver portion (UR), cancels reception from the transmitter portion (UT). Note that the input signals for the differential configuration of UR, are the transmit voltage (V_T) and $V_T/2$. This is because R_{match} is chosen to match the coupled telephone-line impedance; therefore dividing V_T by two (assuming $R1 \gg R_{match}$). The differential configuration of UR has its resistors chosen to cancel the V_T and $V_T/2$ inputs according to the following equation:

$$V_0 = V_T \left(\frac{R_4}{R_3 + R_4} \right) \left(1 + \frac{R_2}{R_1} \right) - \frac{V_T}{2} \left(\frac{R_2}{R_1} \right) = V_T \frac{1}{3} (3) - \frac{V_T}{2} (2) = 0$$

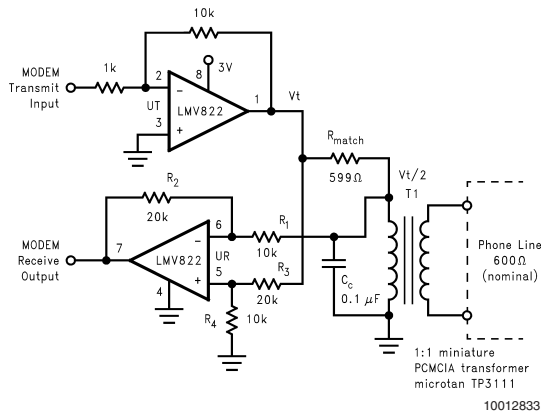


FIGURE 7. Telephone-line Transceiver for a PCMCIA Modem Card

Note that C_r is included for canceling out the inadequacies of the lossy, miniature transformer. Refer to application note AN-397 for detailed explanation.

“SIMPLE” MIXER (AMPLITUDE MODULATOR)

The mixer of *Figure 8* is simple and provides a unique form of amplitude modulation. V_i is the modulation frequency (F_M), while a +3V square-wave at the gate of Q1, induces a carrier frequency (F_C). Q1 switches (toggles) U1 between inverting and non-inverting unity gain configurations. Offsetting a sine wave above ground at V_i results in the oscilloscope photo of *Figure 9*.

The simple mixer can be applied to applications that utilize the Doppler Effect to measure the velocity of an object. The difference frequency is one of its output frequency components. This difference frequency magnitude ($F_M - F_C$) is the key factor for determining an object's velocity per the Doppler Effect. If a signal is transmitted to a moving object, the reflected frequency will be a different frequency. This difference in transmit and receive frequency is directly proportional to an object's velocity.

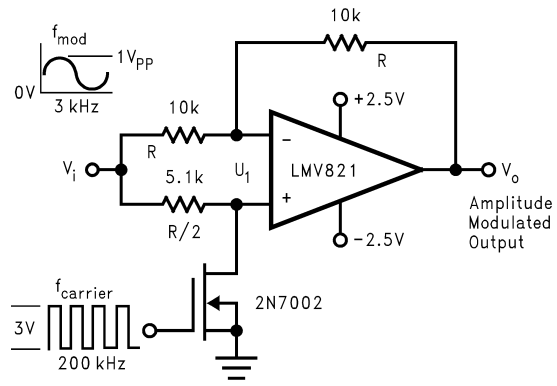


FIGURE 8. Amplitude Modulator Circuit

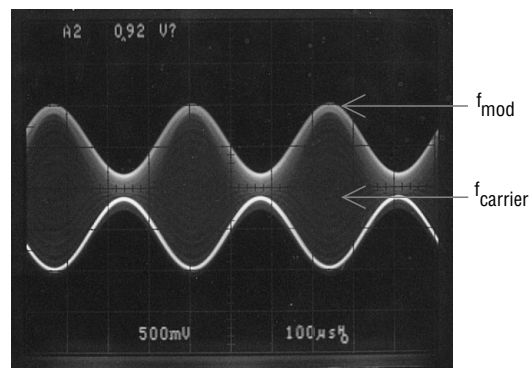


FIGURE 9. Output signal per the Circuit of Figure 8

DUAL AMPLIFIER ACTIVE FILTERS (DAAFs)

The LMV822/24 bring economy and performance to DAAF's. The low-pass and the high-pass filters of *Figure 10* and *Figure 11* (respectively), offer one key feature: excellent sensitivity performance. Good sensitivity is when deviations in component values cause relatively small deviations in a filter's parameter such as cutoff frequency (F_c). Single amplifier active filters like the Sallen-Key provide relatively poor sensitivity performance that sometimes cause problems for high production runs; their parameters are much more likely to deviate out of specification than a DAAF would. The DAAF's of *Figure 10* and *Figure 11* are well suited for high volume production.

Application Note (Continued)

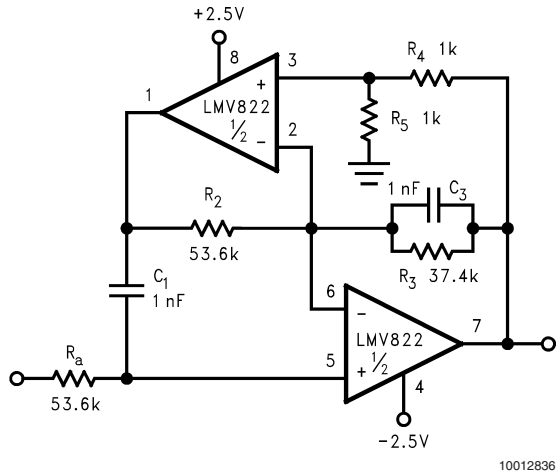


FIGURE 10. Dual Amplifier, 3 kHz Low-Pass Active Filter with a Butterworth Response and a Pass Band Gain of Times Two

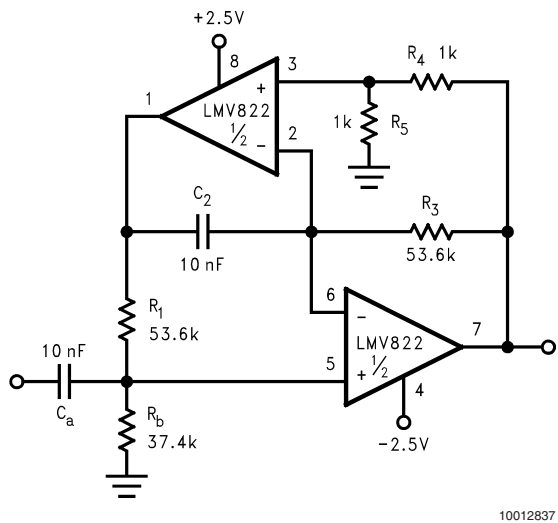


FIGURE 11. Dual Amplifier, 300 Hz High-Pass Active Filter with a Butterworth Response and a Pass Band Gain of Times Two

Table 1 provides sensitivity measurements for a 10 MΩ load condition. The left column shows the passive components for the 3 kHz low-pass DAAF. The third column shows the components for the 300 Hz high-pass DAAF. Their respective sensitivity measurements are shown to the right of each component column. Their values consists of the percent change in cutoff frequency (Fc) divided by the percent change in component value. The lower the sensitivity value, the better the performance.

Each resistor value was changed by about 10 percent, and this measured change was divided into the measured change in Fc. A positive or negative sign in front of the measured value, represents the direction Fc changes relative to components' direction of change. For example, a sensitivity value of negative 1.2, means that for a 1 percent increase in component value, Fc decreases by 1.2 percent.

Note that this information provides insight on how to fine tune the cutoff frequency, if necessary. It should be also noted that R4 and R5 of each circuit also caused variations in the pass band gain. Increasing R4 by ten percent, increased the gain by 0.4 dB, while increasing R5 by ten percent, decreased the gain by 0.4 dB.

TABLE 1.

| Component (LPF) | Sensitivity (LPF) | Component (HPF) | Sensitivity (HPF) |
|-----------------|-------------------|-----------------|-------------------|
| Ra | -1.2 | Ca | -0.7 |
| C1 | -0.1 | Rb | -1.0 |
| R2 | -1.1 | R1 | +0.1 |
| R3 | +0.7 | C2 | -0.1 |
| C3 | -1.5 | R3 | +0.1 |
| R4 | -0.6 | R4 | -0.1 |
| R5 | +0.6 | R5 | +0.1 |

Active filters are also sensitive to an op amp's parameters -Gain and Bandwidth, in particular. The LMV822/24 provide a large gain and wide bandwidth. And DAAFs make excellent use of these feature specifications.

Single Amplifier versions require a large open-loop to closed-loop gain ratio - approximately 50 to 1, at the Fc of the filter response. Figure 12 shows an impressive photograph of a network analyzer measurement (hp3577A). The measurement was taken from a 300 kHz version of Figure 10. At 300 kHz, the open-loop to closed-loop gain ratio @ Fc is about 5 to 1. This is 10 times lower than the 50 to 1 "rule of thumb" for Single Amplifier Active Filters.

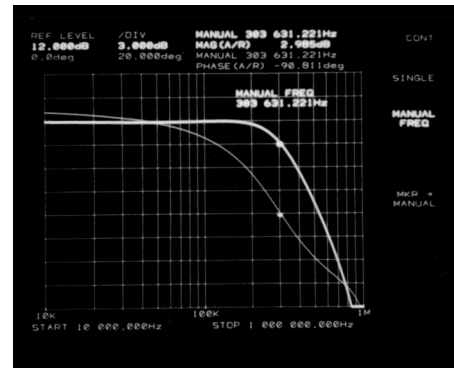


FIGURE 12. 300 kHz, Low-Pass Filter, Butterworth Response as Measured by the HP3577A Network Analyzer

In addition to performance, DAAFs are relatively easy to design and implement. The design equations for the low-pass and high-pass DAAFs are shown below. The first two equations calculate the Fc and the circuit Quality Factor (Q) for the LPF (Figure 10). The second two equations calculate the Fc and Q for the HPF (Figure 11).

Application Note (Continued)

$$(LPF) \quad F_C = \frac{\sqrt{R_5}}{2\pi \sqrt{R_a} \cdot \sqrt{R_2} \cdot \sqrt{R_4} \cdot \sqrt{C_1} \cdot \sqrt{C_3}}$$

$$Q = 2\pi F_C \sqrt{C_1} \cdot \sqrt{C_3}$$

$$(HPF) \quad F_C = \frac{\sqrt{R_4}}{2\pi \sqrt{R_1} \cdot \sqrt{R_3} \cdot \sqrt{R_5} \cdot \sqrt{C_a} \cdot \sqrt{C_2}}$$

$$Q = 2\pi F_C \sqrt{C_a} \cdot \sqrt{C_2}$$

To simplify the design process, certain components are set equal to each other. Refer to *Figure 10* and *Figure 11*. These equal component values help to simplify the design equations as follows:

$$(LPF) \quad R_a = R_2 = \frac{1}{2\pi F_C \sqrt{C_1} \cdot \sqrt{C_3}}$$

$$R_3 = \frac{Q}{2\pi F_C \sqrt{C_1} \cdot \sqrt{C_3}}$$

$$(HPF) \quad R_1 = R_3 = \frac{1}{2\pi F_C \sqrt{C_a} \cdot \sqrt{C_2}}$$

$$R_b = \frac{Q}{2\pi F_C \sqrt{C_a} \cdot \sqrt{C_2}}$$

To illustrate the design process/implementation, a 3 kHz, Butterworth response, low-pass filter DAAF (*Figure 10*) is designed as follows:

1. Choose $C_1 = C_3 = C = 1 \text{ nF}$
2. Choose $R_4 = R_5 = 1 \text{ k}\Omega$
3. Calculate R_a and R_2 for the desired F_C as follows:

$$\begin{aligned} R_a = R_2 &= \frac{1}{2\pi(F_C)C} \\ &= \frac{1}{2\pi(3 \text{ kHz})1 \text{ nF}} \\ &= 53.1 \text{ k}\Omega \\ &\cong 53.6 \text{ k}\Omega \text{ (Practical Value)} \end{aligned}$$

4. Calculate R_3 for the desired Q . The desired Q for a Butterworth (Maximally Flat) response is 0.707 (45 degrees into the s-plane). R_3 calculates as follows:

$$\begin{aligned} R_3 &= \frac{Q}{2\pi(F_C)C} \\ &= \frac{0.707}{2\pi(3 \text{ kHz})1 \text{ nF}} \\ &= 37.5 \text{ k}\Omega \\ &\cong 37.4 \text{ k}\Omega \text{ (Practical Value)} \end{aligned}$$

Notice that R_3 could also be calculated as 0.707 of R_a or R_2 . The circuit was implemented and its cutoff frequency measured. The cutoff frequency measured at 2.92 kHz.

The circuit also showed good repeatability. Ten different LMV822 samples were placed in the circuit. The corresponding change in the cutoff frequency was less than a percent.

TRI-LEVEL VOLTAGE DETECTOR

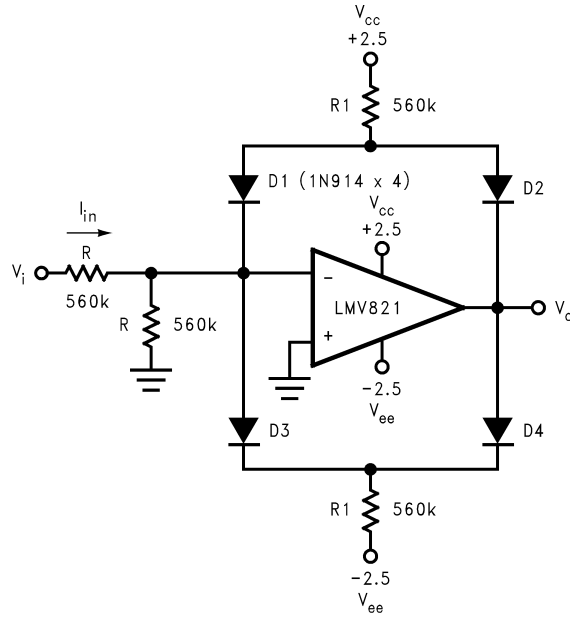
The tri-level voltage detector of *Figure 13* provides a type of window comparator function. It detects three different input voltage ranges: Min-range, Mid-range, and Max-range. The output voltage (V_O) is at V_{CC} for the Min-range. V_O is clamped at GND for the Mid-range. For the Max-range, V_O is at V_{EE} . *Figure 14* shows a V_O vs. V_I oscilloscope photo per the circuit of *Figure 13*.

Its operation is as follows: V_I deviating from GND, causes the diode bridge to absorb I_{IN} to maintain a clamped condition ($V_O = 0V$). Eventually, I_{IN} reaches the bias limit of the diode bridge. When this limit is reached, the clamping effect stops and the op amp responds open loop. The design equation directly preceding *Figure 14*, shows how to determine the clamping range. The equation solves for the input voltage band on each side GND. The mid-range is twice this voltage band.

$$\Delta V = \frac{R}{R_1} (V_{CC} - V_{Diode})$$

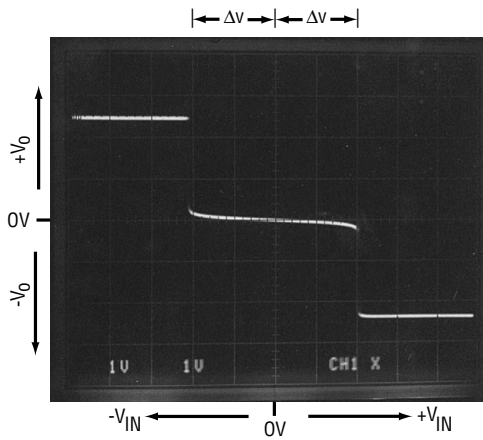
10012889

Application Note (Continued)



10012834

FIGURE 13. Tri-level Voltage Detector

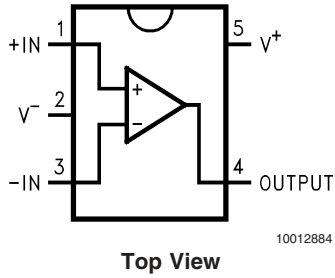


10012835

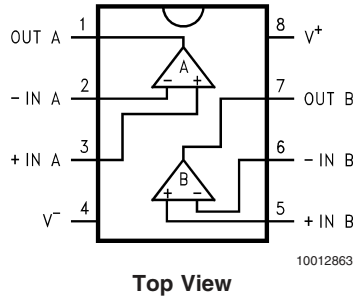
FIGURE 14. X, Y Oscilloscope Trace showing V_{OUT} vs V_{IN} per the Circuit of *Figure 13*

Connection Diagrams

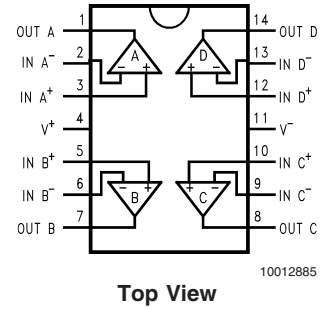
5-Pin SC70-5/SOT23-5



8-Pin SO/MSOP



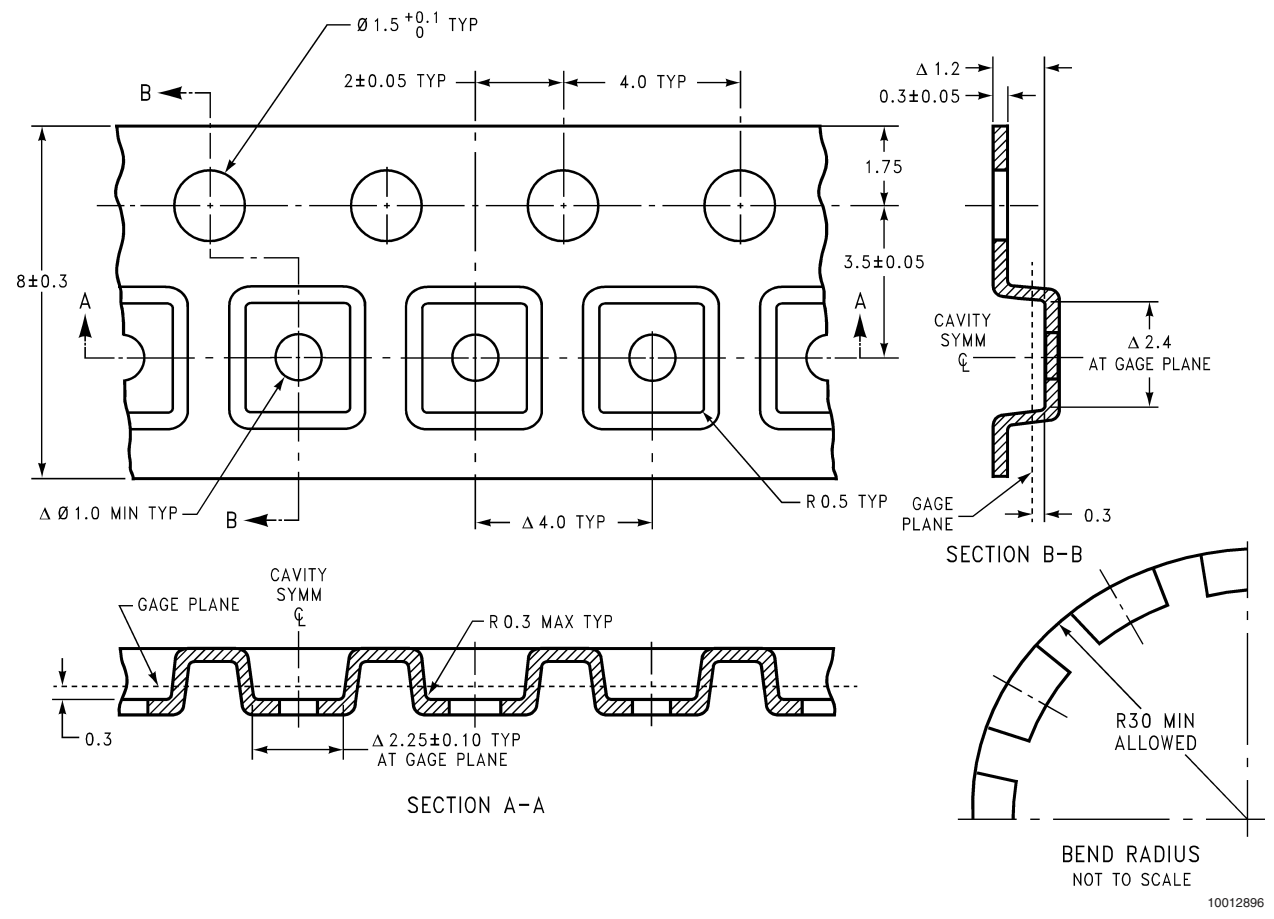
14-Pin SO/TSSOP



Ordering Information

| Package | Temperature Range | Packaging Marking | Transport Media | NSC Drawing |
|---------------|------------------------------|-------------------|--------------------------|-------------|
| | Industrial -40°C to +85°C | | | |
| 5-Pin SC-70-5 | LMV821M7 | A15 | 1k Units Tape and Reel | MAA05 |
| | LMV821M7X | | 3k Units Tape and Reel | |
| 5-Pin SOT23-5 | LMV821M5 | A14 | 1k Units Tape and Reel | MF05A |
| | LMV821M5X | | 3k Units Tape and Reel | |
| 8-Pin SOIC | LMV822M | LMV822M | Rails | M08A |
| | LMV822MX | | 2.5k Units Tape and Reel | |
| 8-Pin MSOP | LMV822MM | LMV822 | 1k Units Tape and Reel | MUA08A |
| | LMV822MMX | | 3.5k Units Tape and Reel | |
| 14-Pin SOIC | LMV824M | LMV824M | Rails | M14A |
| | LMV824MX | | 2.5k Units Tape and Reel | |
| 14-Pin TSSOP | LMV824MT | LMV824MT | Rails | MTC14 |
| | LMV824MTX | | 2.5k Units Tape and Reel | |

SC70-5 Tape and Reel Specification

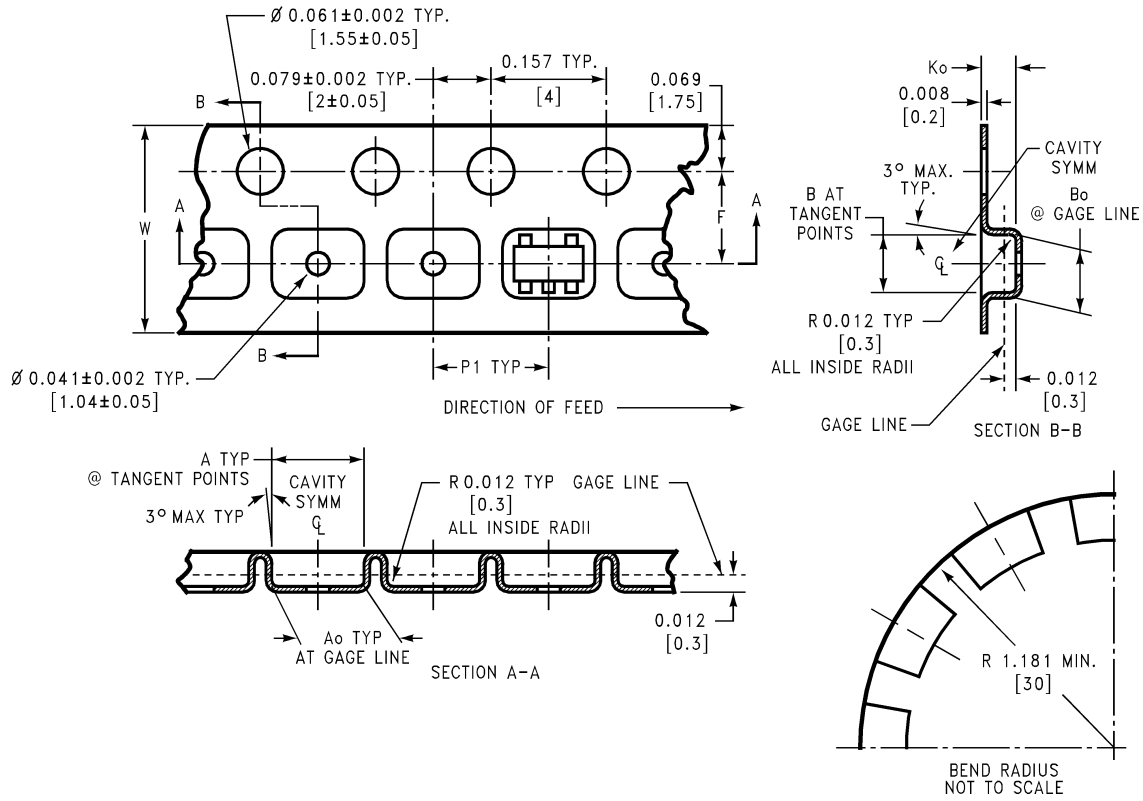


SOT-23-5 Tape and Reel Specification

Tape Format

| Tape Section | # Cavities | Cavity Status | Cover Tape Status |
|-----------------------|------------|---------------|-------------------|
| Leader (Start End) | 0 (min) | Empty | Sealed |
| | 75 (min) | Empty | Sealed |
| Carrier | 3000 | Filled | Sealed |
| | 250 | Filled | Sealed |
| Trailer (Hub End) | 125 (min) | Empty | Sealed |
| | 0 (min) | Empty | Sealed |

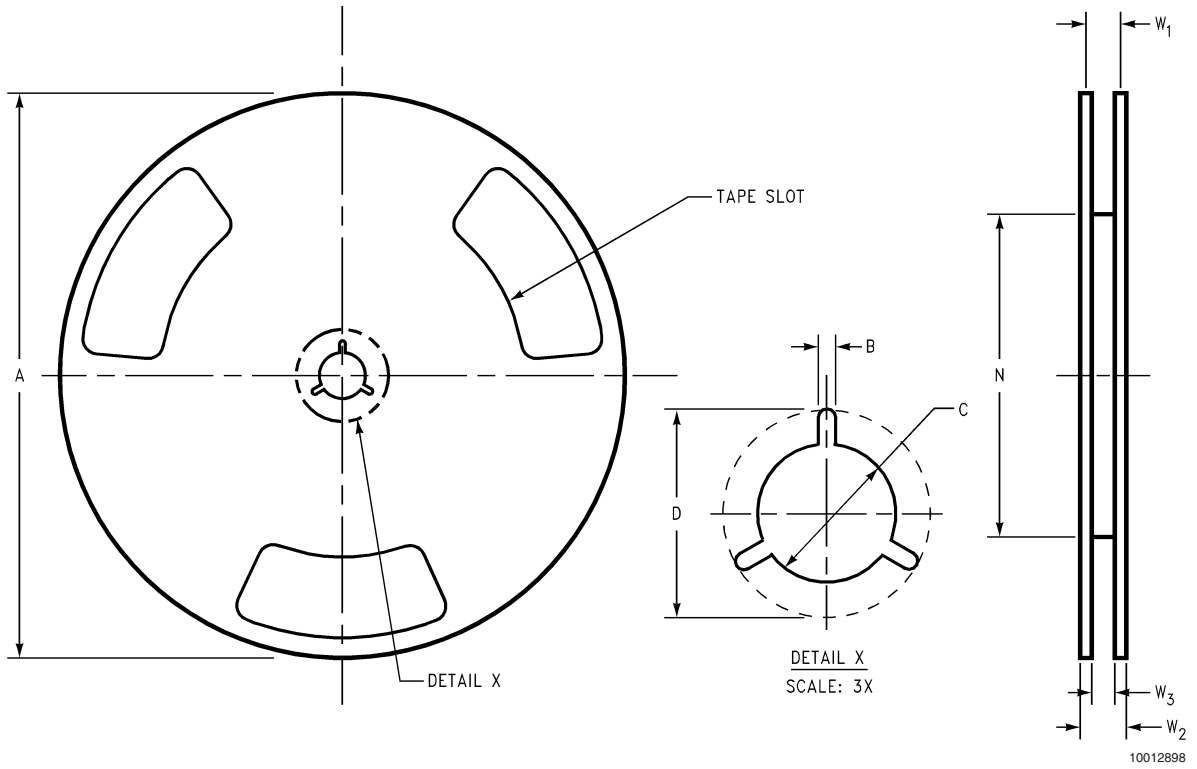
Tape Dimensions



10012897

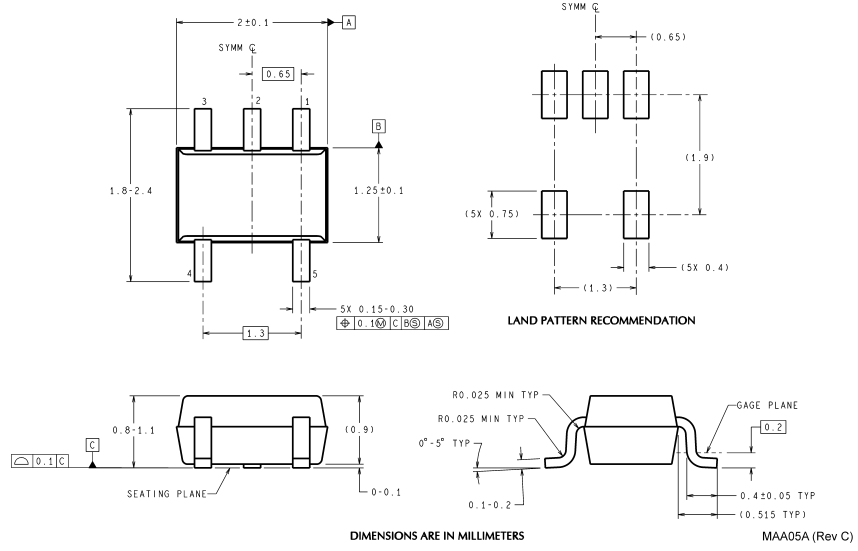
| | | | | | | | | |
|-------------|------------------------------|-------------------------------|------------------------------|------------------------------|-------------------------------------------|-------------------------------------------|----------------------------|----------------------------------------|
| 8 mm | 0.130 (3.3) | 0.124 (3.15) | 0.130 (3.3) | 0.126 (3.2) | 0.138 ±0.002 (3.5 ±0.05) | 0.055 ±0.004 (1.4 ±0.11) | 0.157 (4) | 0.315 ±0.012 (8 ±0.3) |
| Tape Size | DIM A | DIM Ao | DIM B | DIM Bo | DIM F | DIM Ko | DIM P1 | DIM W |

Reel Dimensions

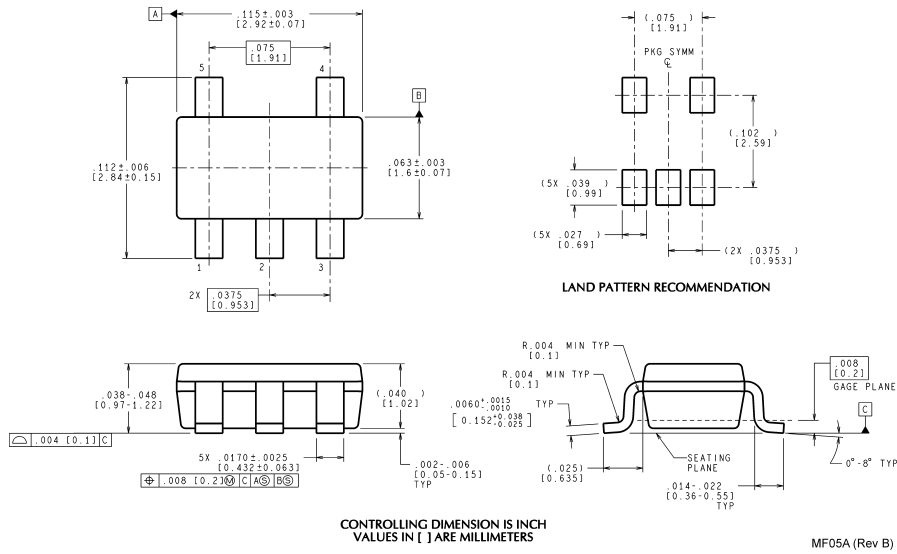


| | | | | | | | | |
|-----------|--------|-------|-------|-------|-------|----------------------|-------|-------------------|
| 8 mm | 7.00 | 0.059 | 0.512 | 0.795 | 2.165 | 0.331 + 0.059/-0.000 | 0.567 | W1 + 0.078/-0.039 |
| | 330.00 | 1.50 | 13.00 | 20.20 | 55.00 | 8.40 + 1.50/-0.00 | 14.40 | W1 + 2.00/-1.00 |
| Tape Size | A | B | C | D | N | W1 | W2 | W3 |

Physical Dimensions inches (millimeters) unless otherwise noted

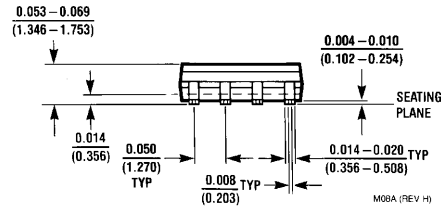
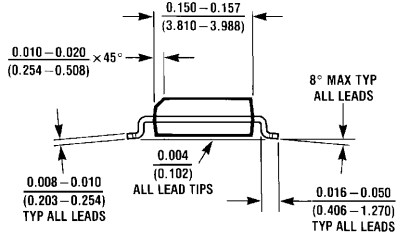
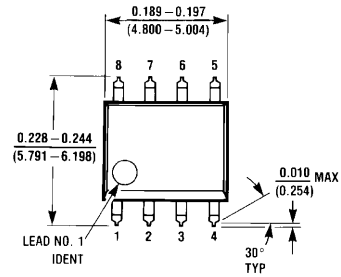


SC70-5
NS Package Number MAA05

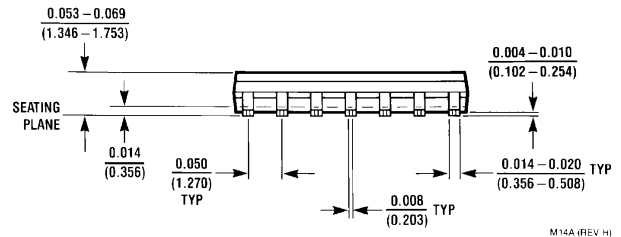
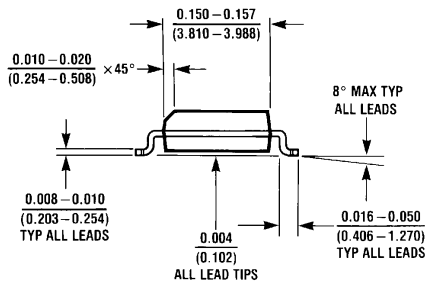
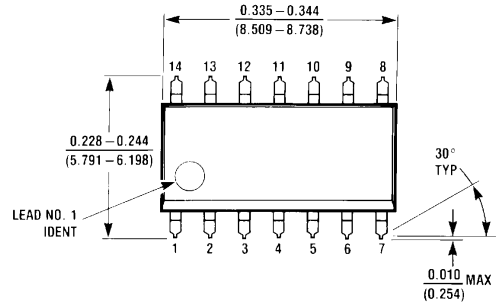


SOT 23-5
NS Package Number MF05A

Physical Dimensions inches (millimeters) unless otherwise noted (Continued)

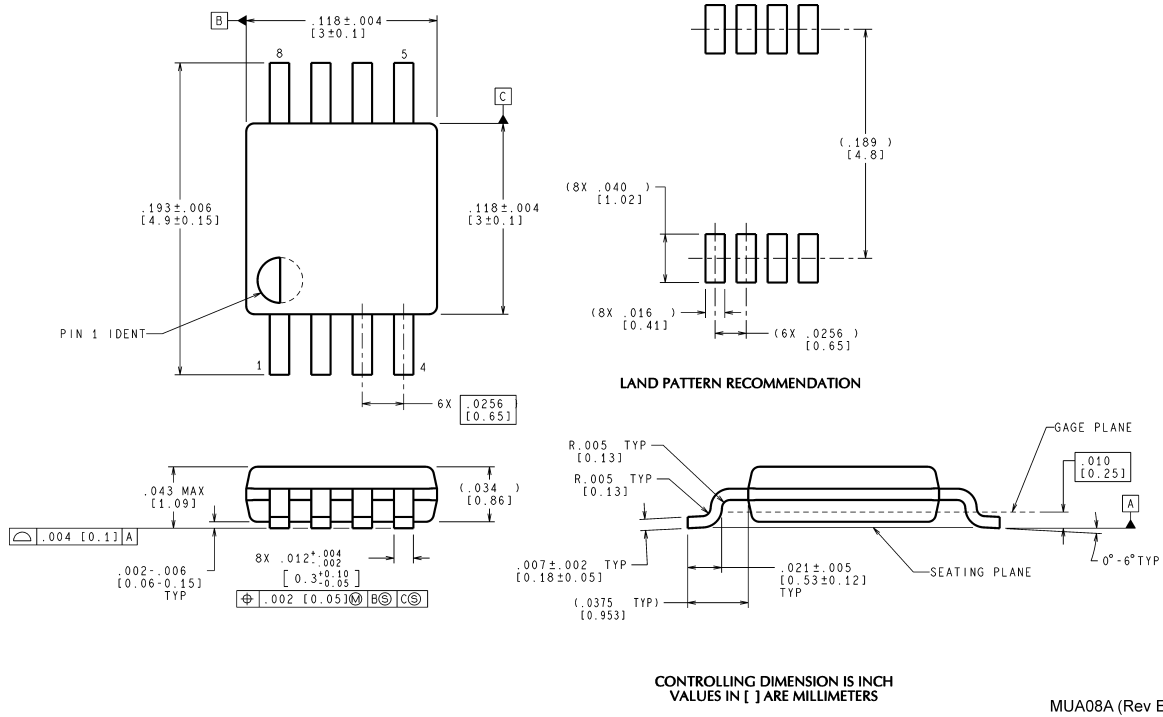


**8-Pin Small Outline
NS Package Number M08A**

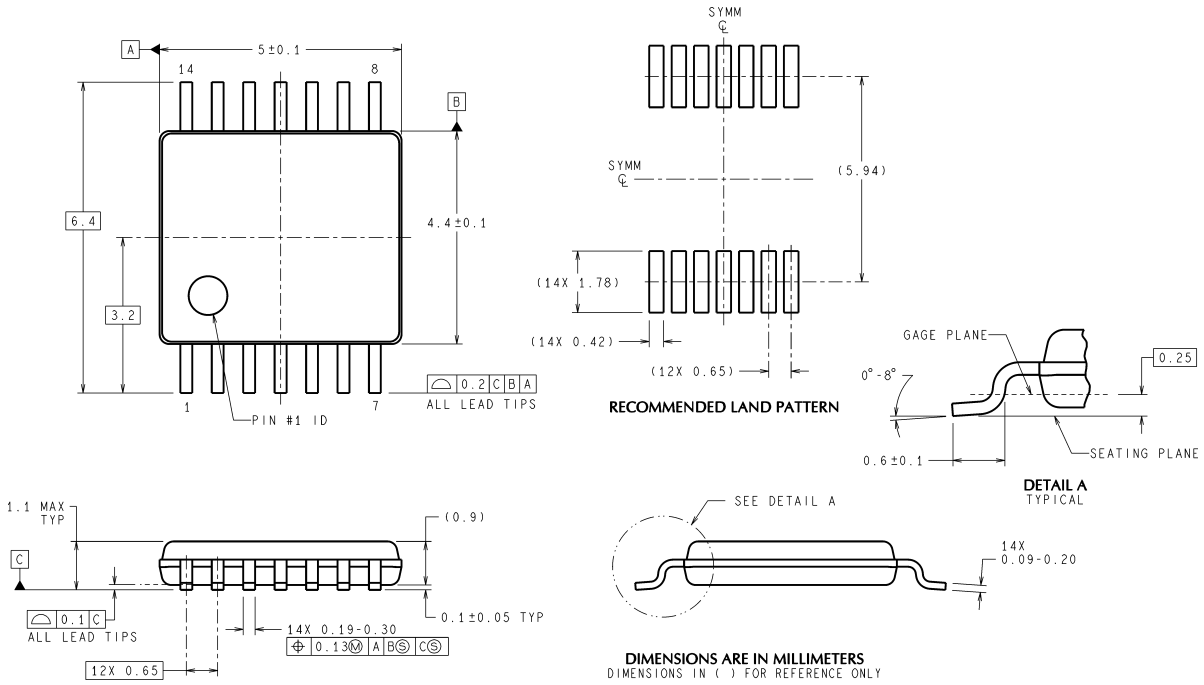


**14-Pin Small Outline
NS Package Number M14A**

Physical Dimensions inches (millimeters) unless otherwise noted (Continued)



8-Pin MSOP
NS Package Number MUA08A



14-Pin TSSOP
NS Package Number MTC14

Notes

LIFE SUPPORT POLICY

NATIONAL'S PRODUCTS ARE NOT AUTHORIZED FOR USE AS CRITICAL COMPONENTS IN LIFE SUPPORT DEVICES OR SYSTEMS WITHOUT THE EXPRESS WRITTEN APPROVAL OF THE PRESIDENT AND GENERAL COUNSEL OF NATIONAL SEMICONDUCTOR CORPORATION. As used herein:

1. Life support devices or systems are devices or systems which, (a) are intended for surgical implant into the body, or (b) support or sustain life, and whose failure to perform when properly used in accordance with instructions for use provided in the labeling, can be reasonably expected to result in a significant injury to the user.
2. A critical component is any component of a life support device or system whose failure to perform can be reasonably expected to cause the failure of the life support device or system, or to affect its safety or effectiveness.

BANNED SUBSTANCE COMPLIANCE

National Semiconductor certifies that the products and packing materials meet the provisions of the Customer Products Stewardship Specification (CSP-9-111C2) and the Banned Substances and Materials of Interest Specification (CSP-9-111S2) and contain no "Banned Substances" as defined in CSP-9-111S2.



National Semiconductor
Americas Customer
Support Center
Email: new.feedback@nsc.com
Tel: 1-800-272-9959

www.national.com

National Semiconductor
Europe Customer Support Center
Fax: +49 (0) 180-530 85 86
Email: europe.support@nsc.com
Deutsch Tel: +49 (0) 69 9508 6208
English Tel: +44 (0) 870 24 0 2171
Français Tel: +33 (0) 1 41 91 8790

National Semiconductor
Asia Pacific Customer
Support Center
Email: ap.support@nsc.com

National Semiconductor
Japan Customer Support Center
Fax: 81-3-5639-7507
Email: jpn.feedback@nsc.com
Tel: 81-3-5639-7560