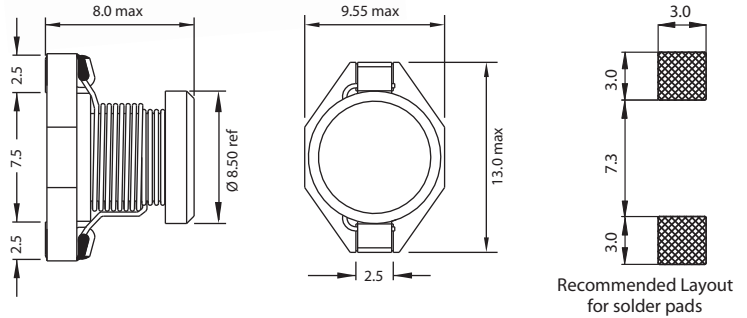
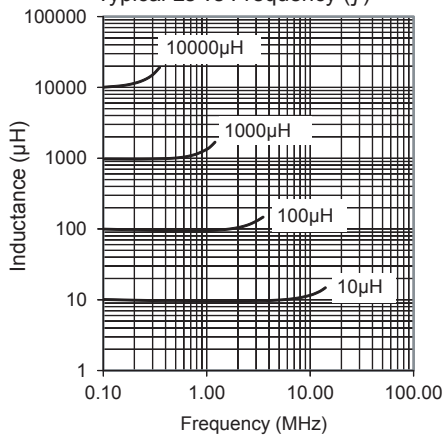


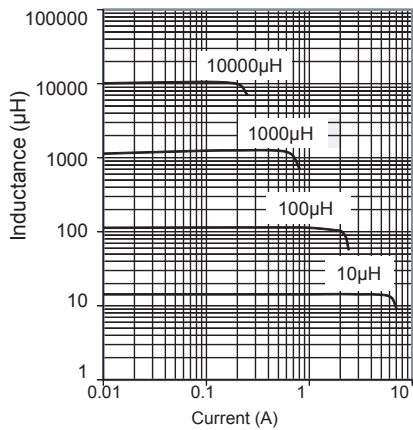
PISP



Typical Ls vs Frequency (f)



Typical Ls vs Current (I)



Part No	Inductance L (μH)	f _L (MHz)	Tol \pm (%)	SRF min (MHz)	DCR max (Ω)	Rated DC Current (A) I_{sat} 10kHz/1V $I_{\Delta T}$ = 40°C
PISP-6R8M-04	6.8	0.1	20	19	0.018	6.72 3.60
PISP-100M-04	10	0.1	20	17	0.026	5.21 3.60
PISP-150M-04	15	0.1	20	13	0.035	4.13 3.12
PISP-220M-04	22	0.1	20	10	0.050	3.54 2.80
PISP-330M-04	33	0.1	20	8	0.073	2.86 2.32
PISP-470M-04	47	0.1	20	6.1	0.112	2.34 1.60
PISP-680M-04	68	0.1	20	5.8	0.143	2.00 1.44
PISP-101M-04	100	0.1	20	4.1	0.230	1.64 1.28
PISP-151M-04	150	0.1	20	3.5	0.295	1.36 1.16
PISP-221M-04	220	0.1	20	3.1	0.463	1.12 0.94
PISP-331M-04	330	0.1	20	2.4	0.672	0.91 0.79
PISP-471M-04	470	0.1	20	2.0	0.996	0.80 0.64
PISP-681M-04	680	0.1	20	1.5	1.476	0.67 0.50
PISP-102M-04	1000	0.1	20	1.3	1.980	0.57 0.42
PISP-222M-04	2200	0.1	20	1.0	4.488	0.34 0.30
PISP-103M-04	10000	0.1	20	0.8	21.480	0.17 0.12

Core Material :

Ferrite, Plastic moulded base.

Terminal clip with lead-free tinned surface for SMT-Reflow soldering.

SPQ : Taped / Reel 250 [-04]

Remarks : I_{sat} & $I_{\Delta T}$ - see description in inductors Technical Data.

Revision date : 02 Nov 2015

Mouser Electronics

Authorized Distributor

Click to View Pricing, Inventory, Delivery & Lifecycle Information:

Fastron:

[PISP-470M-04](#) [PISP-220M-04](#) [PISP-101M-04](#) [PISP-221M-04](#) [PISP-102M-04](#) [PISP-331M-04](#) [PISP-680M-04](#) [PISP-330M-04](#) [PISP-222M-04](#) [PISP-471M-04](#) [PISP-6R8M-04](#) [PISP-681M-04](#) [PISP-150M-04](#) [PISP-151M-04](#) [PISP-103M-04](#) [PISP-100M-04](#)