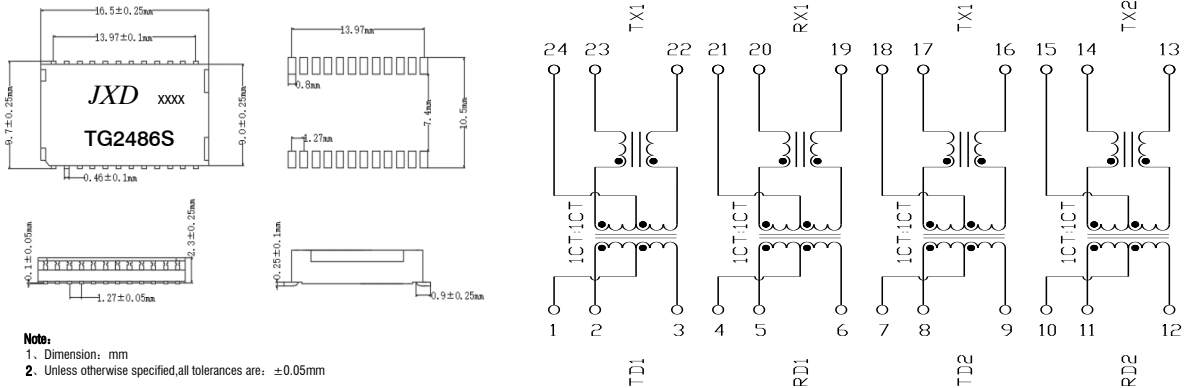


1. Designed for long haul 10G Single Port Transformer Module
2. Supports four pairs of category 5 UTP cable, Cable interface for isolation and low common mode emission .
- 3 . Low profile Surface Mount Packaging designed for Hi-Temp Reflow Process
4. Compliant with IEEE 802.3an standard for 10G Base-Z, Designed to support 1:1 Turns Ratio Transceivers.



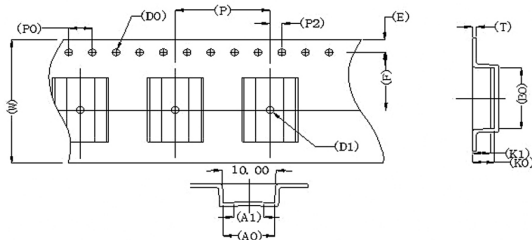
DIMENSIONS & SCHEMATICS



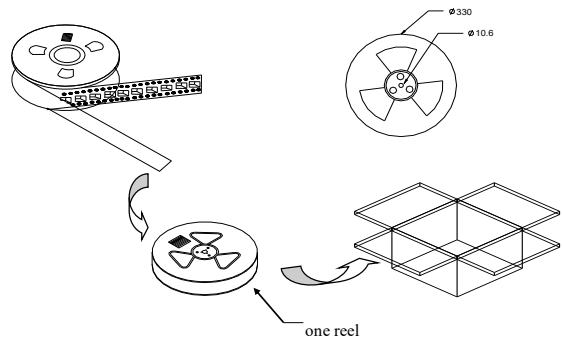
TECHNICAL SPECIFICATIONS

OCL :	120 μH Min. @ 100 KHz, 100mV with 8mA DC Bias
Leakage Inductance:	0.50 μH Max. @ 100KHz, 0.1V
Cw/w:	35 pF Max. @ 100KHz, 0.1V
DCR:	1.00 Ω Max
Turns Ratio($\pm 5\%$):	1CT:1(TX), 1CT:1(RX)
Polarity:	1-24, 5-20, 7-18, 11-14 In-Phase
Insertion Loss:	-1.0 dB Max. @ 1-100MHz -2.5dB Max. @ 101-250MHz
Return Loss:	-20 dB Min. @ 1-40MHz -20 + 15log(f/40)dB Min@41-250MHz
Cross Talk:	-39 dB Min.@ 1-100 MHz -30dB Min.@ 100-250 MHz
Common Mode Rejection :	-30dB Min@1-250MHz
Isolation HI-POT:	1500Vrms 1mA 1Second
Operating Temperature range:	-40 $^{\circ}\text{C}$ ~ +85 $^{\circ}\text{C}$
Storage temperature range:	-40 $^{\circ}\text{C}$ ~ +125 $^{\circ}\text{C}$

PACKING SPECIFICATION



1. units/reel:1100PCS
- 2 reel/carton:5PCS
- 3.units/carton 5500PCS



Shenzhen magnetic Lianda Electronics Co., LTD

Address: 505, West Block, No. 221, Niucheng Road, Niucheng Village, Baiwang Community, Xili Street, Nanshan District, Shenzhen
 E-mail: sales1@cd-tek.com 0755-27652992 29016433 Website:www.cd-tek.com