

1.25mm Contact Spacing • For Interface of VGA, SVGA, XGA, SXGA Compatible LCD  
SMT Type • P. C. Board to Cable Application • Single row and Double row

## FI Series Connectors

# JAE

### FEATURES

- Single row type suitable for thin devices, double row type for high density packaging (staggered contact arrangement)
- Low profile, SMT type board-mount receptacle  
SMT terminals : single row type 1.25 mm spacing  
double row type 0.625 mm spacing
- Excellent in EMI shielding effect (version with metallic shell)
- Receptacle with hold-down for preventing float up when soldering, and offering additional retention on board. The hold-down is incorporated with shell, enabling connection to the ground on board.
- Cable side plug comes in three types : discrete wire crimp type, cable harness type, and ZIF type for FPC.
- ZIF (zero insertion force) configuration for FPC application. No force is directly applied when inserting FPC. Easy to operate. The shell is connected to the ground on one side of FPC when inserting it.
- One-row type receptacle and FPC plug come in two types : standard and reverse. Both board face mount and back mount are possible, enabling insertion of plug in the same direction (face/back).
- Key for preventing erroneous mating.
- Friction lock.
- Receptacles can be supplied in embossed tape allowing automatic mounting.

### APPLICATIONS

LCD interfaces, LCD inverter, PC, PDA, DVC, mobile phones, digital still cameras, various state-of-the-art miniature devices

### TYPES & COMBINATIONS

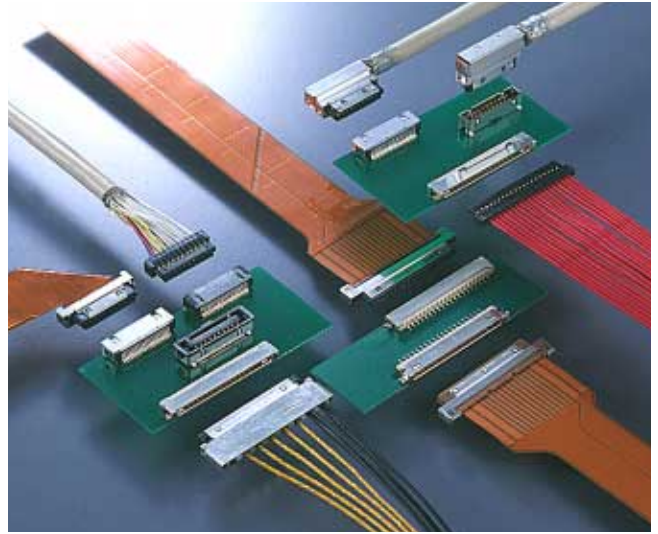
- Single row : Click the button.



- Double row : Click the button.



- Others : Click the button.



### GENERAL SPECIFICATIONS

<b>No. of Contacts</b>	Single row : 20-19, 20 Double row : 21-20, 21, 31, 41
<b>Current Rating (Note 1)</b>	1 Amps
<b>D.W.Voltage</b>	500 VACr.m.s. (for one minute)
<b>Insulation Resistance</b>	100 megohms min.
<b>Contact Resistance</b>	40 milliohms max.
<b>Applicable Wire (Note 1)</b>	#28 to #32 AWG or 1.25 mm pitch FPC/0.14 mm thick (Single row) 0.625 mm pitch FPC/0.14 mm thick (Double row)
<b>Operating Temperature</b>	-40°C to +80°C

(Note 1) For cable harness type, consult your nearest JAE agent.

\* The products and specifications contained in this catalog are subject to change without notice. When considering use of or placing an order for products included in this catalog, please check first with our sales department.

## TYPES & COMBINATIONS (Single row)

### 20 Contacts

#### Receptacle

#### Plug

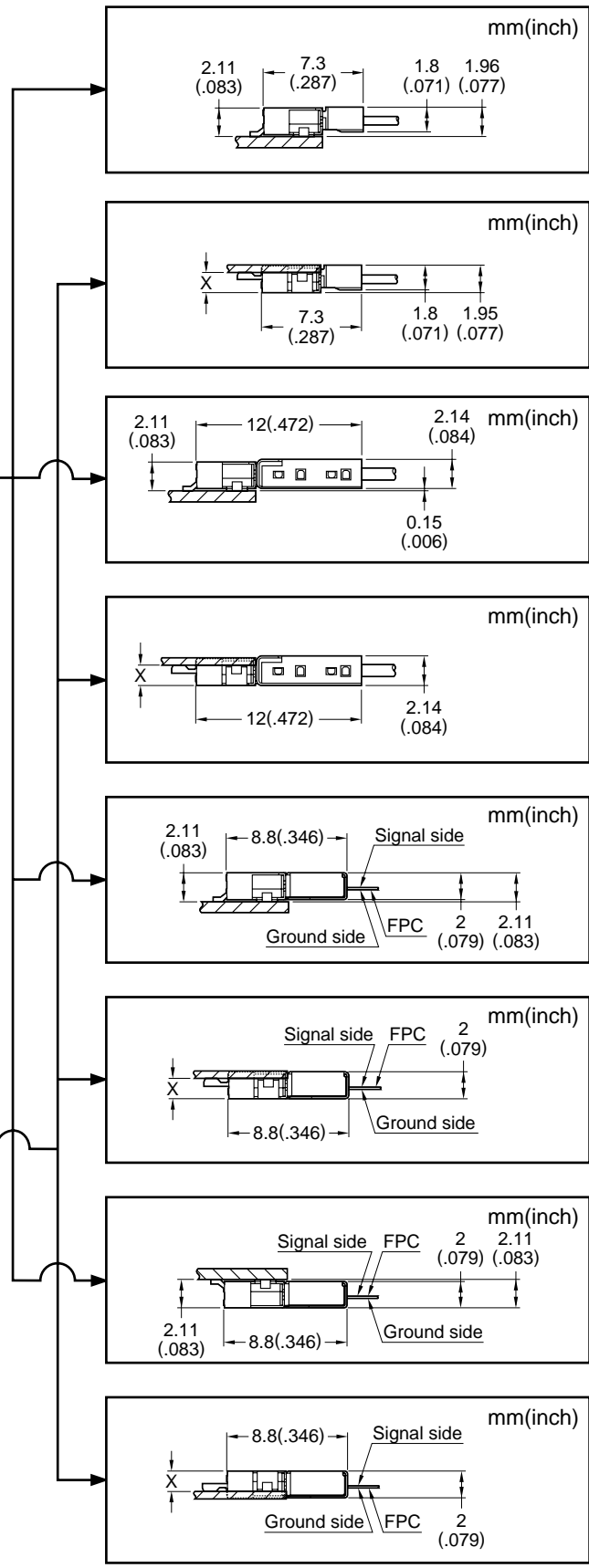
- Right-angle Standard type With metallic shell P/N : FI-SE20P-HF



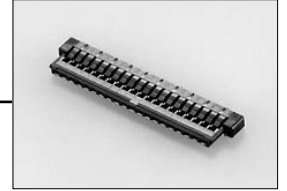
- Slotted mount type Right-angle Reverse type With metallic shell P/N : FI-SEB20P-HF\*



TYPES	Dimension X
HF	1.48mm (.058inch)
HF13	1.3mm (.051inch)
HF10	1.0mm (.039inch)



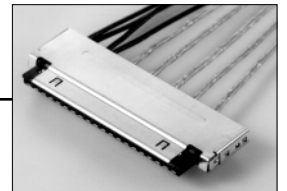
- For discrete wire Crimp type Without metallic shell P/N : FI-S20S



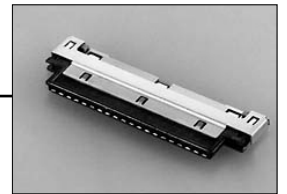
- Socket contact Crimp type P/N : FI-C3-A1-15000



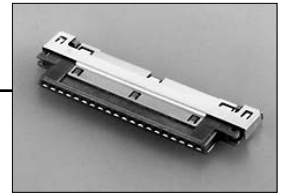
- Twinax cable with connector on both ends 20-19 contacts With metallic shell P/N : FI-SE20S-2-L\*



- ZIF design for FPC Standard type With metallic shell P/N : FI-SE20M



- ZIF design for FPC Reverse type With metallic shell P/N : FI-SE20MR



**TYPES & COMBINATIONS (Double row)**

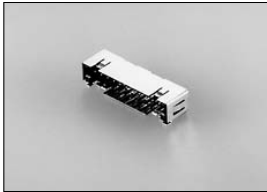
**21/31/41 Contacts**

**Receptacle**

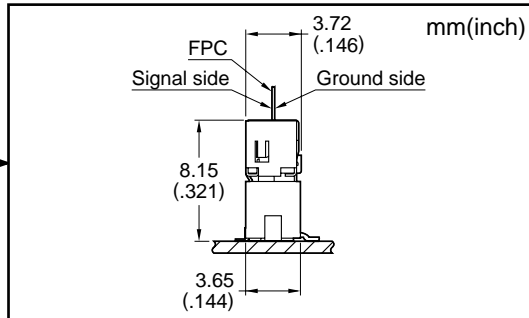
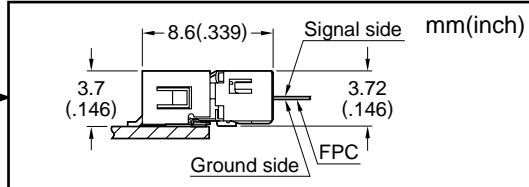
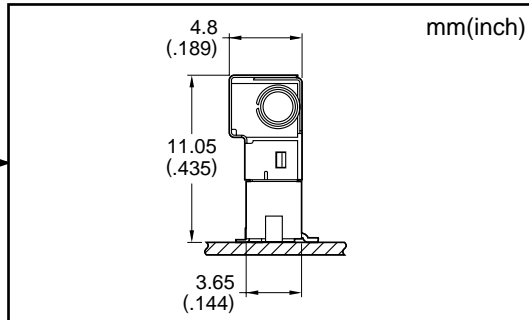
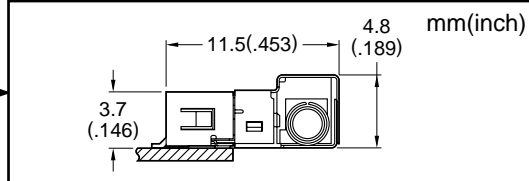
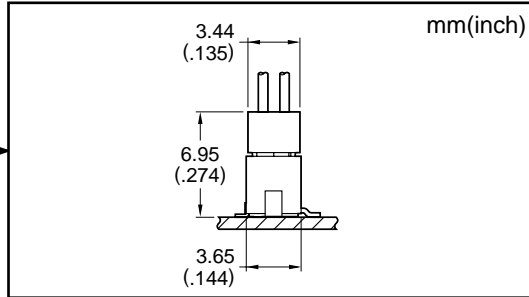
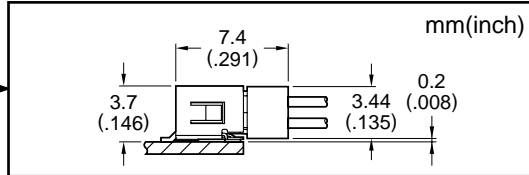
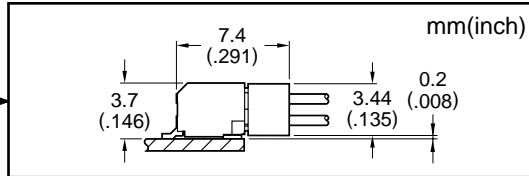
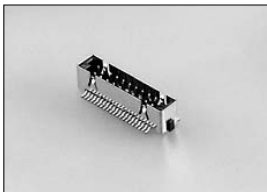
- Right-angle  
21, 31, 41 contacts  
Without metallic shell  
P/N : FI-W\*P-HF



- Right-angle  
21, 31, 41 contacts  
With metallic shell  
P/N : FI-WE\*P-HF



- Straight  
21, 31 contacts  
With metallic shell  
P/N : FI-TWE\*P\*-VF



**Plug**

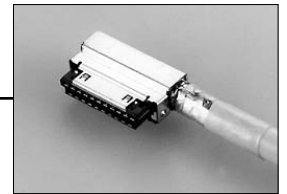
- For discrete wire  
Crimp type  
21, 31, 41 contacts  
Without metallic shell  
P/N : FI-W\*S



- Socket contact  
Crimp type  
P/N : FI-C3-A1-15000



- Twist pair cable with connector on both ends  
21-20, 21 contacts  
With metallic shell  
P/N : FI-WE21S-2-L\*



- ZIF design for FPC  
For right-angle receptacle  
21, 31 contacts  
With metallic shell  
P/N : FI-WE\*M



- ZIF design for FPC  
For straight receptacle  
21, 31 contacts  
With metallic shell  
P/N : FI-WE\*MV

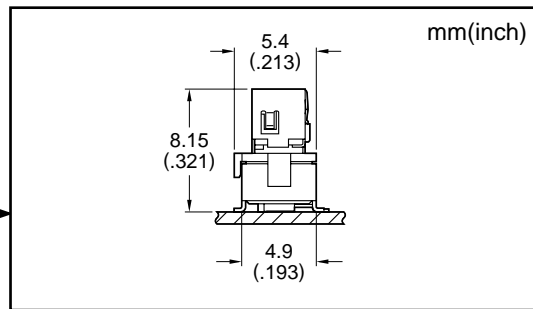
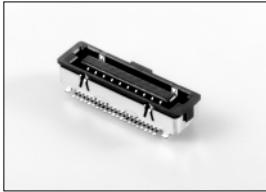


## ■ TYPES & COMBINATIONS (Others)

### ■ Double row • Ribbon type contacts

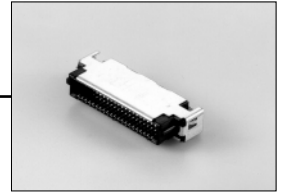
#### Receptacle

- Straight
- 21 contacts
- With metallic shell
- P/N : FI-TWEN21SB-VF



#### Plug

- ZIF design for FPC
- 21 contacts
- With metallic shell
- P/N : FI-WEN21M2



### ■ Plug

- Twinax cable with connector on both ends  
(one row on one end, 2 rows on the opposite side)
- 20-19 contacts
- With metallic shell
- P/N: FI-WE21S-SE20S-L\*

