

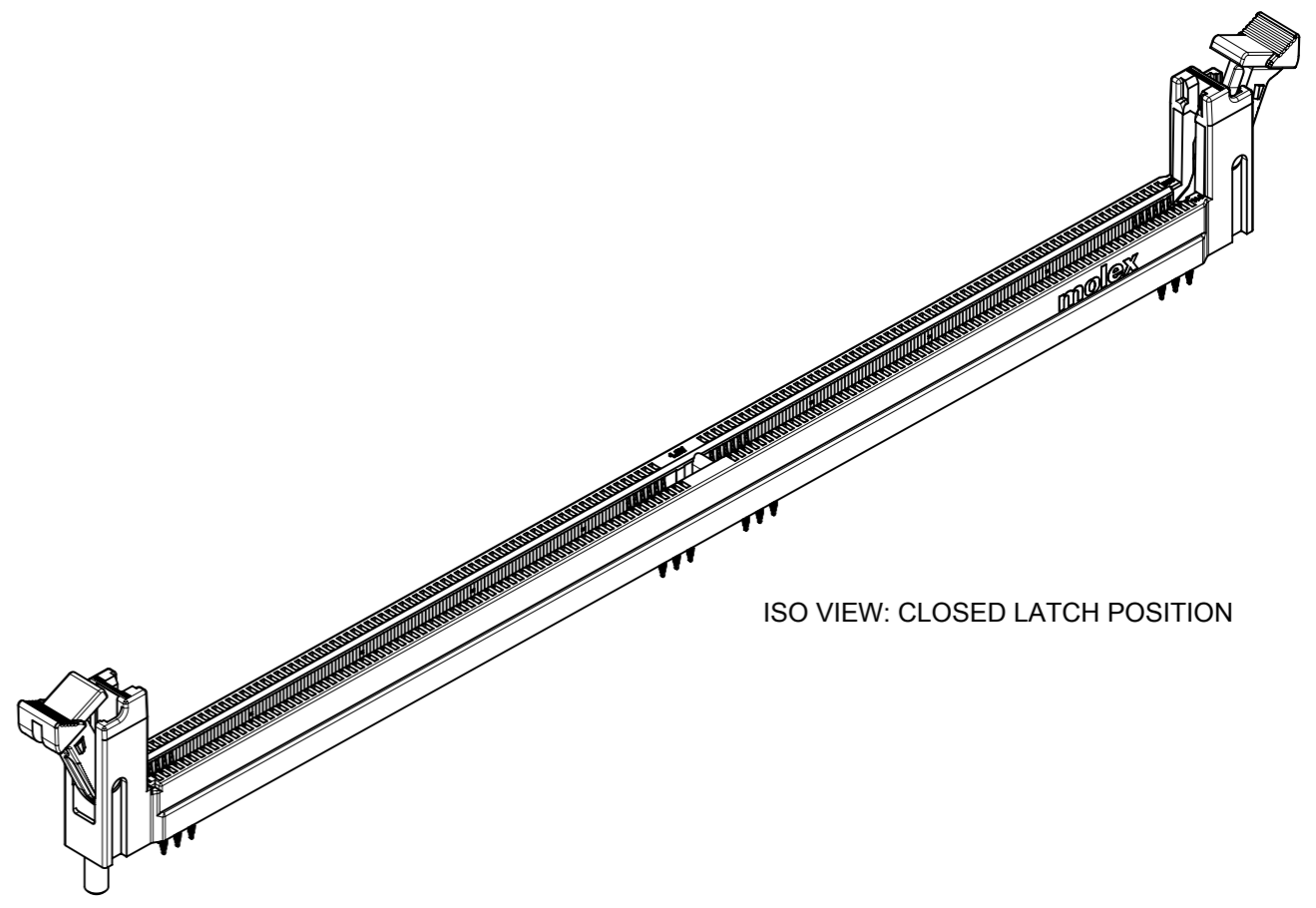
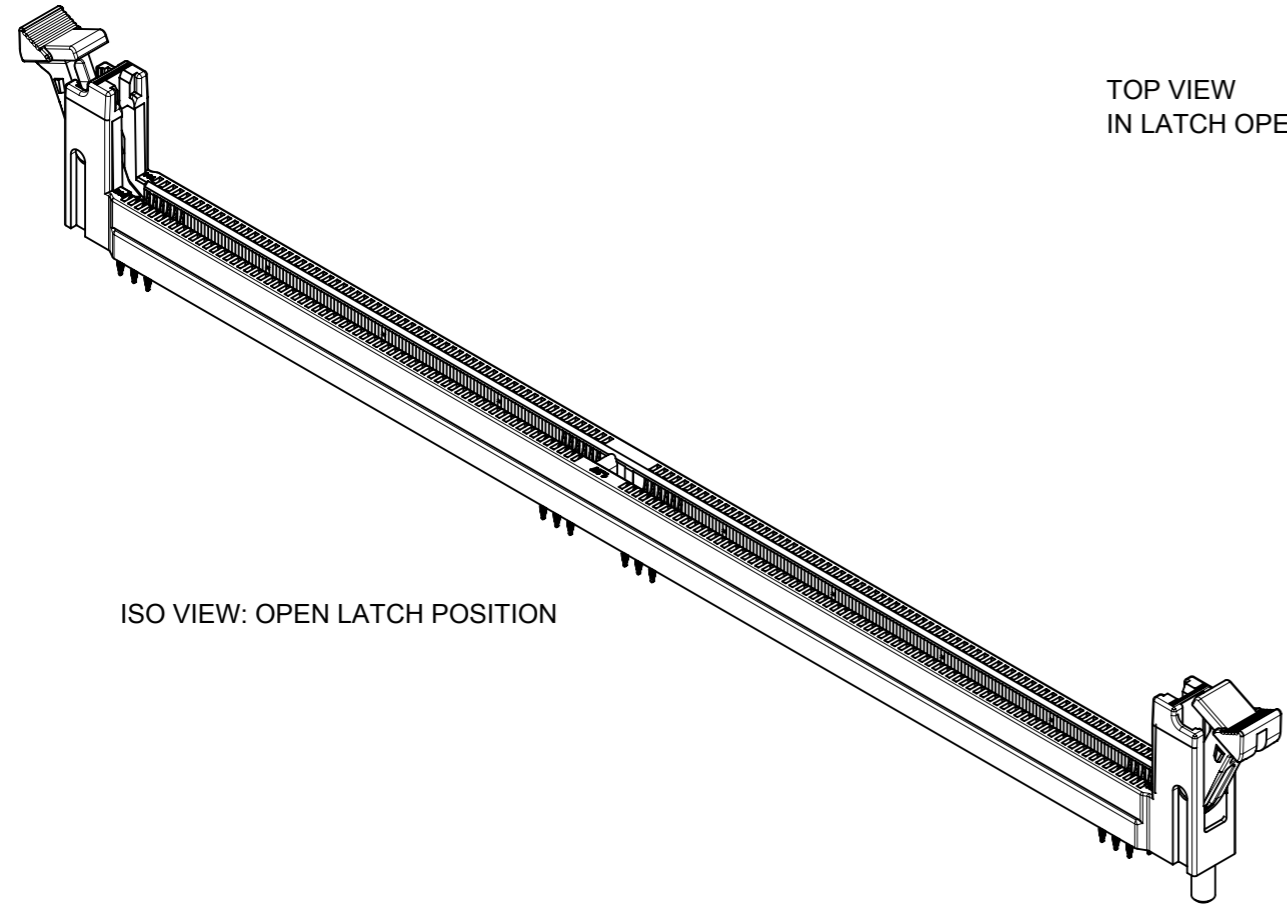
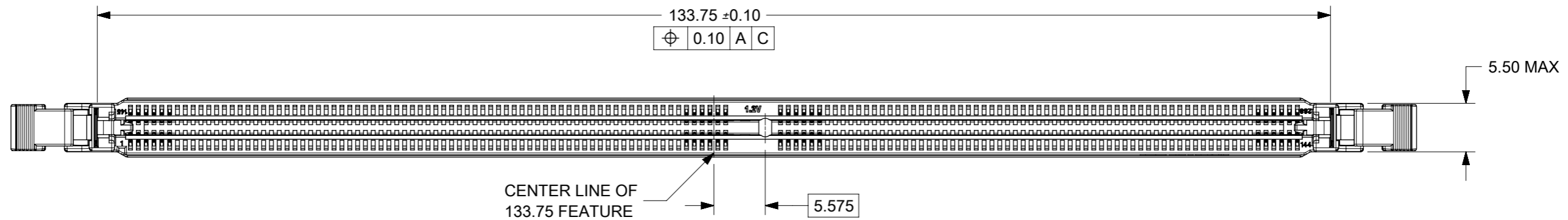
**NOTES:**

- MATERIAL : HOUSING - HALOGEN FREE POLYAMIDE (PA), GLASS FILLED, UL94V-0.  
COLOR : SEE TABLE ON SHEET 5.  
LATCH - HALOGEN FREE POLYAMIDE (PA), GLASS FILLED, UL94V-0.  
COLOR : SEE TABLE ON SHEET 5.  
TERMINAL: COPPER ALLOY.
- FINISHES - SEE TABLE ON SHEET 5.
- PRODUCT SPECIFICATION : SEE TABLE ON SHEET 5.
- PACKAGING SPECIFICATION: PK-151024-0001.
- CARD SLOT ACCEPTS 1.40±0.10mm MODULE THICKNESS (MEASURED OVER P.C. PADS).
- MOLEX LOGO, DATE & PART NO. INDICATED ON HOUSING.
- MODULE SEATING PLANE.
- KEEP OUT ZONE RESERVED FOR LATCH.
- KEEP OUT AREA IS THE AREA WHERE THE CONNECTOR (INCLUDES LATCHES IN OPENING POSITION) IS MOUNTED ON THE PCB.
- REFER TO AS-78731-001 FOR CONNECTOR MOUNTING AND REWORK INFORMATION.
- REFER TO AS-78731-003 FOR PCB ROUTING RECOMMENDATIONS.

THIS DESIGN IS BASED ON DESIGN OBJECTIVES AND IS STRICTLY TENTATIVE. IT MAY CHANGE BASED ON RESULTS OF ADDITIONAL DESIGN REVIEWS AND VERIFICATIONS.

<b>QUALITY SYMBOLS</b> FA = 0 FE = 0 FB = 0 FV = 0 FC = 0 FX = 0 FS = 0 FT = 0	THIS DRAWING CONTAINS INFORMATION THAT IS PROPRIETARY TO MOLEX ELECTRONIC TECHNOLOGIES, LLC AND SHOULD NOT BE USED WITHOUT WRITTEN PERMISSION		DIMENSION UNITS: MM SCALE: NTS			
	GENERAL TOLERANCES (UNLESS SPECIFIED) ANGULAR TOL ± 3.0 °		DRWN BY: JAKEEMEW DATE: 2014/06/04			DDR4 DIMM, 0.85MM PITCH SLIM TOWER, 288 PINS, PF SHORT TAIL LENGTH
	4 PLACES ± 3 PLACES ± 2 PLACES ± 0.2 1 PLACE ± 0 PLACES ±		CHK'D BY: CGTAN DATE: 2015/03/04			
	DRAFT WHERE APPLICABLE MUST REMAIN WITHIN DIMENSIONS		APPR BY: SHLENI DATE: 2015/03/04			
EC NO: 111829 DRWN: SCHANNARAYAN CHK'D: VMANICKAM APPR: SHLENI		DRAWING SIZE: A3 THIRD ANGLE PROJECTION		PRODUCT CUSTOMER DRAWING		
SERIES: 151024		MATERIAL NUMBER: SEE TABLE		CUSTOMER: GENERAL MARKET		
DOCUMENT NUMBER: SD-151024-0002		DOC TYPE: PSD		DOC PART: 000 SHEET NUMBER: 1 OF 5		

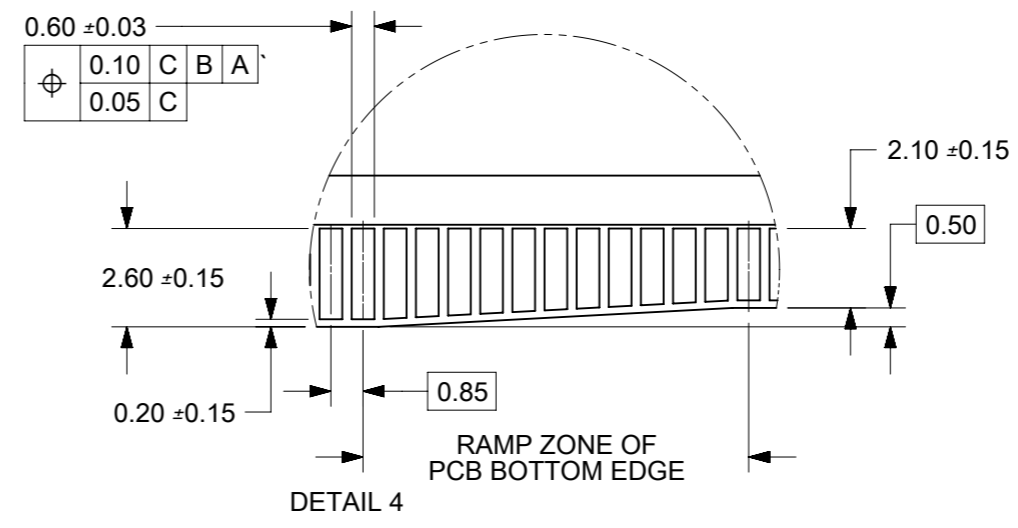
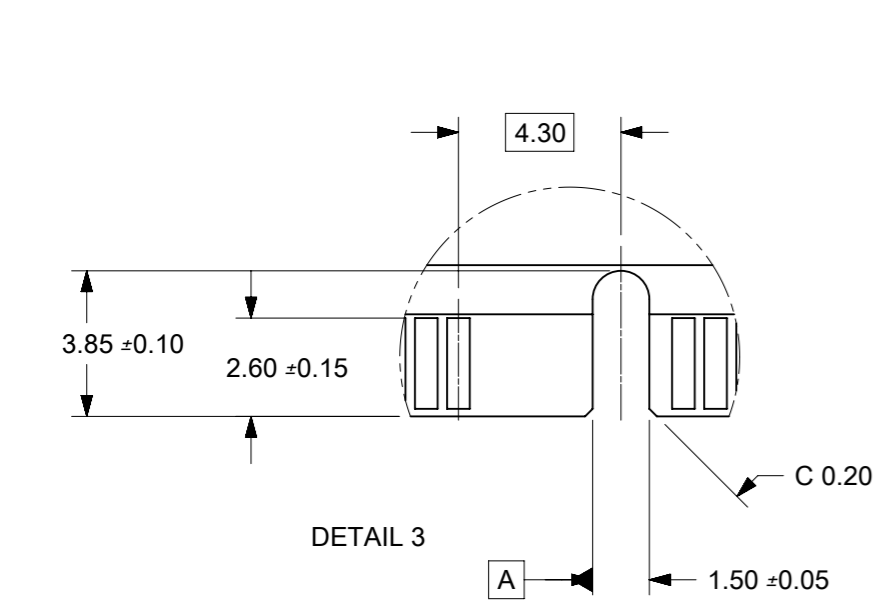
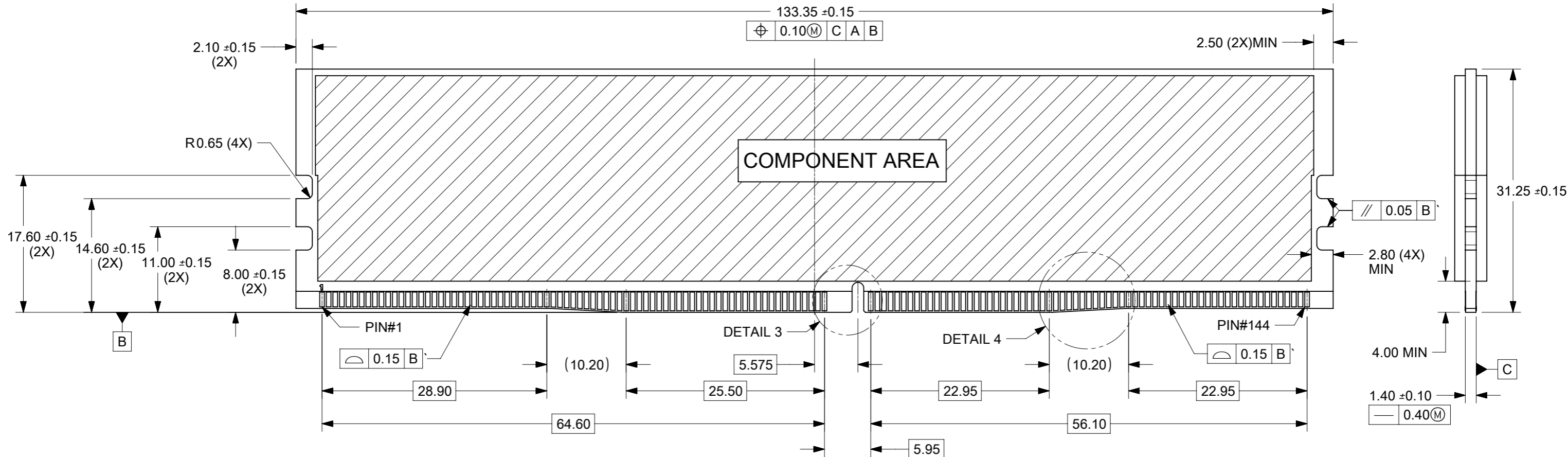
RELEASE STATUS	RELEASE DATE
----------------	--------------



THIS DESIGN IS BASED ON DESIGN OBJECTIVES AND IS STRICTLY TENTATIVE. IT MAY CHANGE BASED ON RESULTS OF ADDITIONAL DESIGN REVIEWS AND VERIFICATIONS.

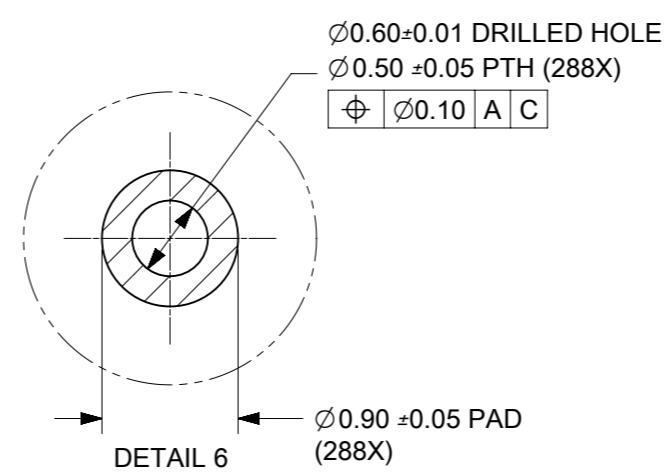
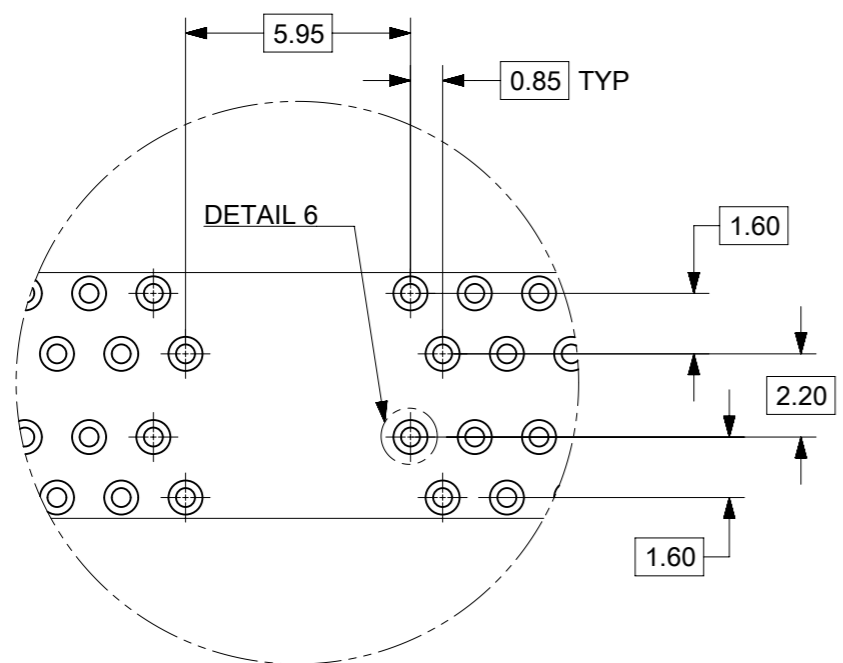
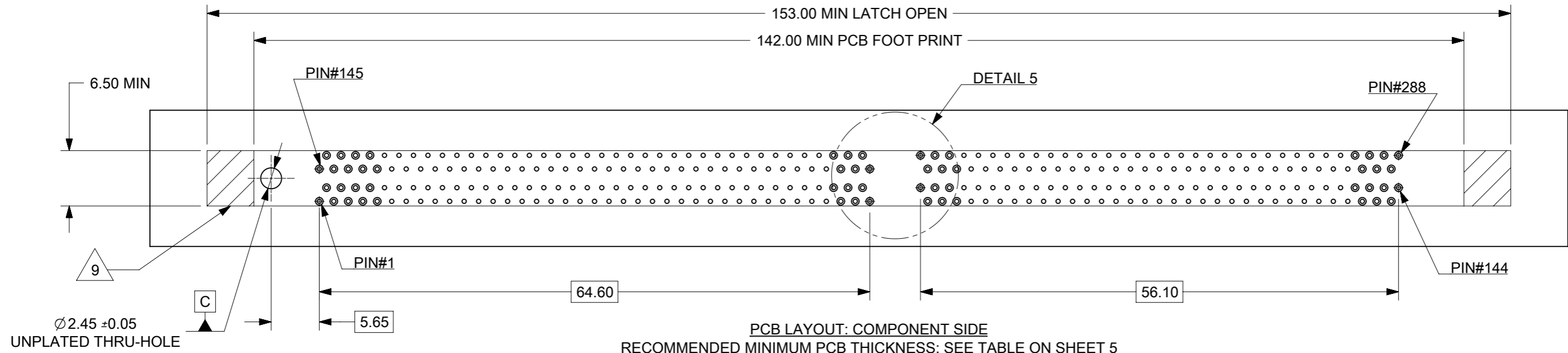
THIS DRAWING CONTAINS INFORMATION THAT IS PROPRIETARY TO MOLEX ELECTRONIC TECHNOLOGIES, LLC AND SHOULD NOT BE USED WITHOUT WRITTEN PERMISSION											
<b>QUALITY SYMBOLS</b> ▽A = 0 ▽E = 0 ▽F = 0 ▽ = 0 ▽C = 0 ⊗ = 0 ■ = 0 ▽ = 0		<b>UPDATE HOUSING</b> EC NO: 111829 DRWN: SCHANNARAYAN CHK'D: VMANICKAM REV APPR: SHLENI		<b>GENERAL TOLERANCES (UNLESS SPECIFIED)</b> ANGULAR TOL ± 3.0 ° 4 PLACES ± 3 PLACES ± 2 PLACES ± 0.2 1 PLACE ± 0 PLACES ± DRAFT WHERE APPLICABLE MUST REMAIN WITHIN DIMENSIONS		DIMENSION UNITS: MM SCALE: NTS DRWN BY: JAKEEMEW DATE: 2014/06/04 CHK'D BY: CGTAN DATE: 2015/03/04 APPR BY: SHLENI DATE: 2015/03/04 DRAWING SIZE: A3 THIRD ANGLE PROJECTION				DDR4 DIMM, 0.85MM PITCH SLIM TOWER, 288 PINS, PF SHORT TAIL LENGTH	
PRODUCT CUSTOMER DRAWING		SERIES: 151024	MATERIAL NUMBER: SEE TABLE		CUSTOMER: GENERAL MARKET		DOCUMENT NUMBER: SD-151024-0002		DOC TYPE: PSD	DOC PART: 000	SHEET NUMBER: 2 OF 5

RELEASE STATUS	RELEASE DATE
----------------	--------------



THIS DESIGN IS BASED ON DESIGN OBJECTIVES AND IS STRICTLY TENTATIVE. IT MAY CHANGE BASED ON RESULTS OF ADDITIONAL DESIGN REVIEWS AND VERIFICATIONS.

<b>QUALITY SYMBOLS</b> FA = 0 FE = 0 FB = 0 FV = 0 FC = 0 FX = 0 F█ = 0 F▽ = 0	THIS DRAWING CONTAINS INFORMATION THAT IS PROPRIETARY TO MOLEX ELECTRONIC TECHNOLOGIES, LLC AND SHOULD NOT BE USED WITHOUT WRITTEN PERMISSION				DIMENSION UNITS: MM SCALE: NTS					
	DRWN BY: JAKEEMEW DATE: 2014/06/04		CHK'D BY: CGTAN DATE: 2015/03/04		APPR BY: SHLENI DATE: 2015/03/04					
	EC NO: 111829 DRWN: SCHANNARAYAN CHK'D: VMANICKAM APPR: SHLENI		GENERAL TOLERANCES (UNLESS SPECIFIED) ANGULAR TOL ± 3.0 ° 4 PLACES ± 3 PLACES ± 2 PLACES ± 0.2 1 PLACE ± 0 PLACES ±		DRAFT WHERE APPLICABLE MUST REMAIN WITHIN DIMENSIONS		DRAWING SIZE: A3 THIRD ANGLE PROJECTION		DOCUMENT NUMBER: SD-151024-0002 DOC TYPE: PSD DOC PART: 000 SHEET NUMBER: 3 OF 5	
	UPDATE HOUSING 2016/09/15 2016/12/23 2016/12/29									
	RELEASE STATUS: [ ] RELEASE DATE: [ ]									




THIS DESIGN IS BASED ON DESIGN OBJECTIVES AND IS STRICTLY TENTATIVE. IT MAY CHANGE BASED ON RESULTS OF ADDITIONAL DESIGN REVIEWS AND VERIFICATIONS.

<b>QUALITY SYMBOLS</b> FA = 0 FE = 0 FB = 0 ▼ = 0 C = 0 ⊗ = 0 ■ = 0 ∇ = 0		THIS DRAWING CONTAINS INFORMATION THAT IS PROPRIETARY TO MOLEX ELECTRONIC TECHNOLOGIES, LLC AND SHOULD NOT BE USED WITHOUT WRITTEN PERMISSION		DIMENSION UNITS: MM SCALE: NTS			
<b>UPDATE HOUSING</b> EC NO: 111829 DRWN: SCHANNARAYAN CHK'D: VMANICKAM REV APPR: SHLENI		GENERAL TOLERANCES (UNLESS SPECIFIED) ANGULAR TOL ± 3.0 ° 4 PLACES ± 3 PLACES ± 2 PLACES ± 0.2 1 PLACE ± 0 PLACES ±		DRWN BY: JAKEEMEW DATE: 2014/06/04 CHK'D BY: CGTAN DATE: 2015/03/04 APPR BY: SHLENI DATE: 2015/03/04			
DRAFT WHERE APPLICABLE MUST REMAIN WITHIN DIMENSIONS		DRAUGHTING SIZE: A3 THIRD ANGLE PROJECTION		PRODUCT CUSTOMER DRAWING		SERIES: 151024 MATERIAL NUMBER: SEE TABLE CUSTOMER: GENERAL MARKET	
RELEASE STATUS: A RELEASE DATE:		DOCUMENT NUMBER: SD-151024-0002 DOC TYPE: PSD DOC PART: 000 SHEET NUMBER: 4 OF 5		DRAWING SIZE: A3 THIRD ANGLE PROJECTION		PRODUCT CUSTOMER DRAWING	

ASSEMBLY PART No.	HOUSING COLOR	LATCH COLOR	DIM 'P'	DIM 'C'	RECOMMENDED MINIMUM PDB THICKNESS	PLATING OPTION		PRODUCT SPECIFICATION
						CONTACT AREA	TAIL AREA	
151024-0021	BLACK	BLACK	1.85	4.30	1.57	SELECTIVE GOLD (Au), THICKNESS: 0.76 MICROMETER (30 MICROINCH) MINIMUM NICKEL (Ni) UNDERPLATE, THICKNESS: 1.27 MICROMETER (50 MICROINCH) MINIMUM	SELECTIVE MATTE TIN (Sn), THICKNESS: 0.38 TO 1.52 MICROMETER (15 TO 60 MICROINCH) NICKEL (Ni) UNDERPLATE, THICKNESS: 1.27 MICROMETER (50 MICROINCH) MINIMUM	PS-151024-0001
151024-0022	NATURAL (OFF-WHITE)	NATURAL (OFF-WHITE)						
151024-0023	BLACK	NATURAL (OFF-WHITE)						
151024-0024	NATURAL (OFF-WHITE)	BLACK						

THIS DESIGN IS BASED ON DESIGN OBJECTIVES AND IS STRICTLY TENTATIVE. IT MAY CHANGE BASED ON RESULTS OF ADDITIONAL DESIGN REVIEWS AND VERIFICATIONS.

THIS DRAWING CONTAINS INFORMATION THAT IS PROPRIETARY TO MOLEX ELECTRONIC TECHNOLOGIES, LLC AND SHOULD NOT BE USED WITHOUT WRITTEN PERMISSION											
<b>QUALITY SYMBOLS</b> FA = 0 FE = 0 FP = 0 TV = 0 TC = 0 X = 0 ■ = 0 V = 0		<b>UPDATE HOUSING</b> EC NO: 111829 DRWN: SCHANNARAYAN CHK'D: VMANICKAM REV APPR: SHLENI		2016/09/15 2016/12/23 2016/12/29		GENERAL TOLERANCES (UNLESS SPECIFIED) ANGULAR TOL ± 3.0 ° 4 PLACES ± 3 PLACES ± 2 PLACES ± 0.2 1 PLACE ± 0 PLACES ±		DIMENSION UNITS: MM SCALE: NTS DRWN BY: JAKEEMEW DATE: 2014/06/04 CHK'D BY: CGTAN DATE: 2015/03/04 APPR BY: SHLENI DATE: 2015/03/04		 DDR4 DIMM, 0.85MM PITCH SLIM TOWER, 288 PINS, PF SHORT TAIL LENGTH	
DRAFT WHERE APPLICABLE MUST REMAIN WITHIN DIMENSIONS						DRAWING SIZE: A3 THIRD ANGLE PROJECTION		PRODUCT CUSTOMER DRAWING			
RELEASE STATUS		RELEASE DATE		A		SERIES: 151024		MATERIAL NUMBER: SEE TABLE		CUSTOMER: GENERAL MARKET	
						DOCUMENT NUMBER: SD-151024-0002		DOC TYPE: PSD		DOC PART: 000	
										SHEET NUMBER: 5 OF 5	