



Cable Assemblies > Copper Cable Assemblies > Modular Twisted Pair Cable Assemblies



Applicable Region: **Not Specified**

Performance Category: **Cat 5e**

Outside Cable Diameter: **5.3 mm [.2 in]**

Shielded: **Yes**

Cable Assembly Length: **.25 m [.82 ft]**

Features

Product Type Features

| | |
|------------------------|-----------------|
| Cable Assembly (End A) | RJ Point 5 Plug |
| Cable Assembly (End B) | RJ45 Plug |

Body Features

| | |
|-------------|-------|
| Cable Color | Black |
|-------------|-------|

Mechanical Attachment

| | |
|------------------|---------|
| Mating Alignment | Without |
|------------------|---------|

Dimensions

| | |
|------------------------|---------------------|
| Outside Cable Diameter | 5.3 mm[.2 in] |
| Wire Size | .13 mm ² |

Usage Conditions

| | |
|-----------------------------|-------------|
| Operating Temperature Range | -40 – 75 °C |
|-----------------------------|-------------|

Operation/Application

| | |
|----------|-----|
| Shielded | Yes |
|----------|-----|

Industry Standards

| | |
|--|--|
| | |
|--|--|



| | |
|----------------------|--------|
| Performance Category | Cat 5e |
|----------------------|--------|

Product Availability

| | |
|-------------------|---------------|
| Applicable Region | Not Specified |
|-------------------|---------------|

Other

| | |
|------------------------------|--------------|
| Cable Assembly Configuration | Double Ended |
|------------------------------|--------------|

| | |
|-----------------------|---------------|
| Cable Assembly Length | .25 m[.82 ft] |
|-----------------------|---------------|

Product Compliance

[For compliance documentation, visit the product page on TE.com>](#)

| | |
|------------------------------|-----------|
| EU RoHS Directive 2011/65/EU | Compliant |
|------------------------------|-----------|

| | |
|-----------------------------|-----------|
| EU ELV Directive 2000/53/EC | Compliant |
|-----------------------------|-----------|

| | |
|---|---|
| China RoHS 2 Directive MIIT Order No 32, 2016 | No Restricted Materials Above Threshold |
|---|---|

| | |
|--|--|
| EU REACH Regulation (EC) No. 1907/2006 | Current ECHA Candidate List: JUNE 2024 (241) Candidate List Declared Against: JAN 2022 (223) Does not contain REACH SVHC |
|--|--|

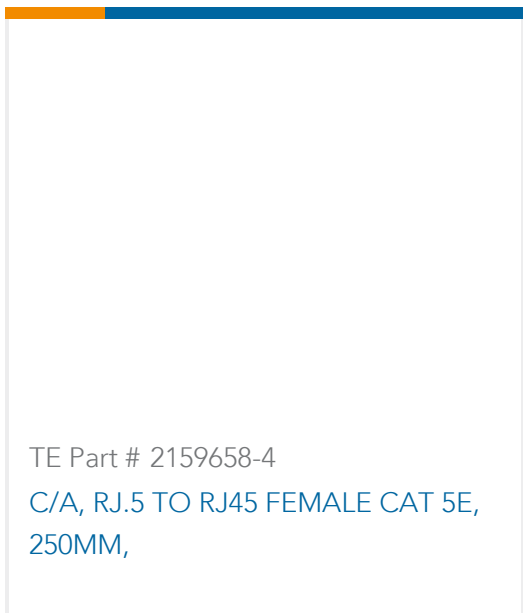
| | |
|-----------------|--|
| Halogen Content | Not Low Halogen - contains Br or Cl > 900 ppm. |
|-----------------|--|

| | |
|---------------------------|--|
| Solder Process Capability | Not applicable for solder process capability |
|---------------------------|--|

Product Compliance Disclaimer

This information is provided based on reasonable inquiry of our suppliers and represents our current actual knowledge based on the information they provided. This information is subject to change. The part numbers that TE has identified as EU RoHS compliant have a maximum concentration of 0.1% by weight in homogenous materials for lead, hexavalent chromium, mercury, PBB, PBDE, DBP, BBP, DEHP, DIBP, and 0.01% for cadmium, or qualify for an exemption to these limits as defined in the Annexes of Directive 2011/65/EU (RoHS2). Finished electrical and electronic equipment products will be CE marked as required by Directive 2011/65/EU. Components may not be CE marked. Additionally, the part numbers that TE has identified as EU ELV compliant have a maximum concentration of 0.1% by weight in homogenous materials for lead, hexavalent chromium, and mercury, and 0.01% for cadmium, or qualify for an exemption to these limits as defined in the Annexes of Directive 2000/53/EC (ELV). Regarding the REACH Regulation, the information TE provides on SVHC in articles for this part number is based on the latest European Chemicals Agency (ECHA) 'Guidance on requirements for substances in articles' posted at this URL: <https://echa.europa.eu/guidance-documents/guidance-on-reach>

Compatible Parts



TE Part # 2159658-4
C/A, RJ.5 TO RJ45 FEMALE CAT 5E,
250MM,

Customers Also Bought



TE Part #CX7198-000
RHW-16/4-1200/ADH-0



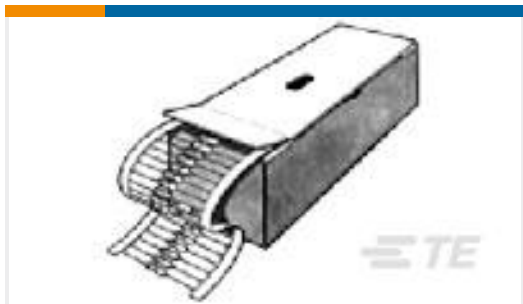
TE Part #1630186-6
HSA50 25R 5%



TE Part #2102771-1
DC, 7Row, Center, MULTIGIG RT 2R



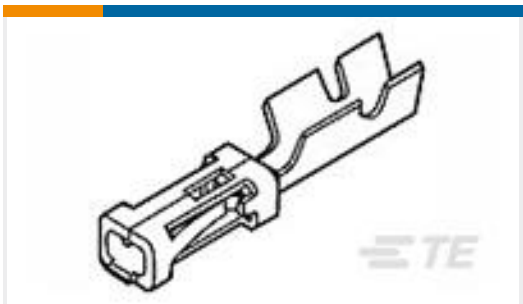
TE Part #925369-6
MOD 4 REC.HSG 1X06P



TE Part #2176078-7
EP 1W 100R 5%



TE Part #33463
TERMINAL,SOLIS R 8 3/8



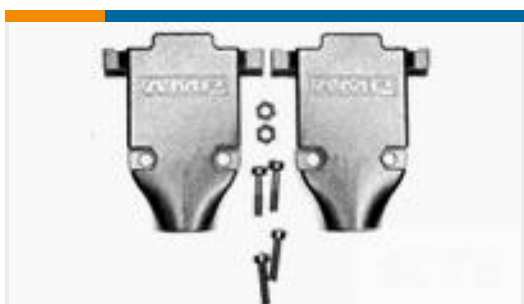
TE Part #86016-5
MOD IV RECP LP



TE Part #2129320-3
Mini Displayport Reverse Offset



TE Part #2226923-1
CONTACT, SOCKET, HOODED,
CRIMP, SIZE23



TE Part #5748676-5
DIE CAST CBL CLMP KIT,SZ 5

Documents

Product Drawings

C/A, RJ.5 TO RJ45 FEMALE CAT 5E, 250MM

English

CAD Files

3D PDF

3D

Customer View Model

ENG_CVM_CVM_2159658-1_D.2d_dxf.zip



English

Customer View Model

[ENG_CVM_CVM_2159658-1_D.3d_igs.zip](#)

English

Customer View Model

[ENG_CVM_CVM_2159658-1_D.3d_stp.zip](#)

English

By downloading the CAD file I accept and agree to the [Terms and Conditions](#) of use.

Datasheets & Catalog Pages

[RJ_POINT_FIVE_CONNECTOR_SYSTEM_QUICK_REF_GUIDE](#)

English