

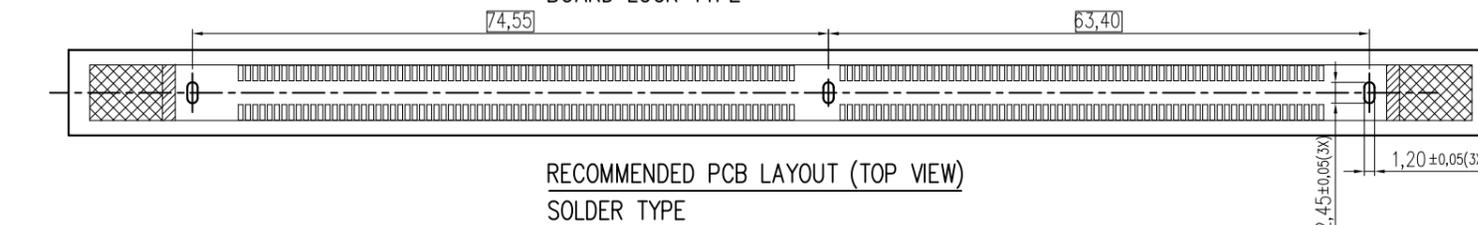
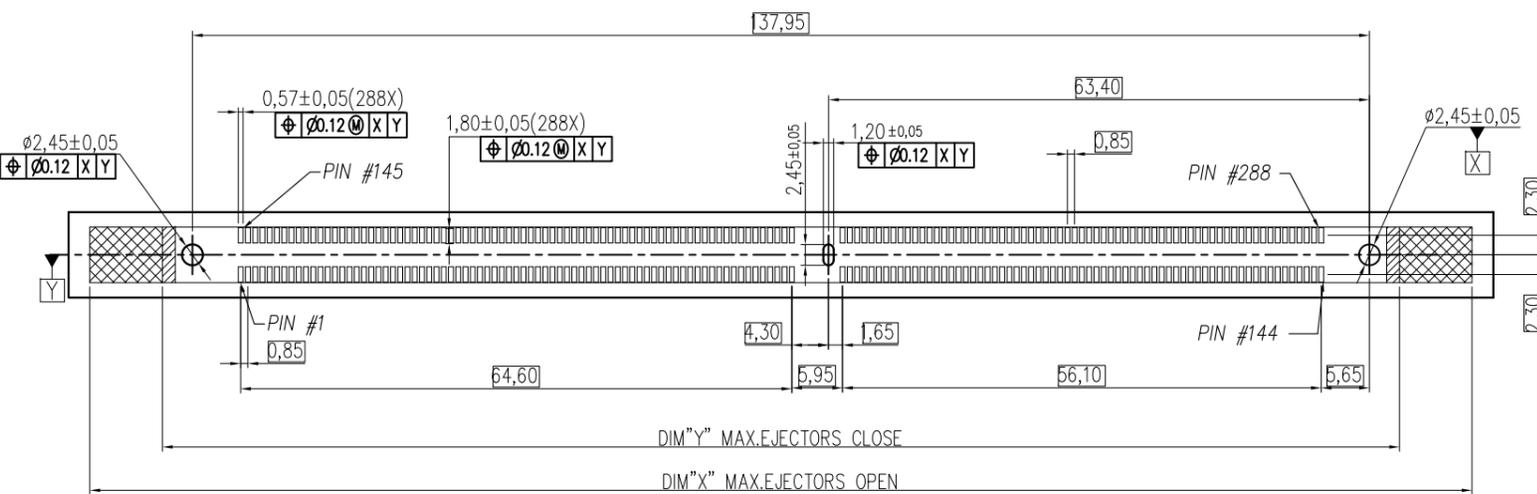
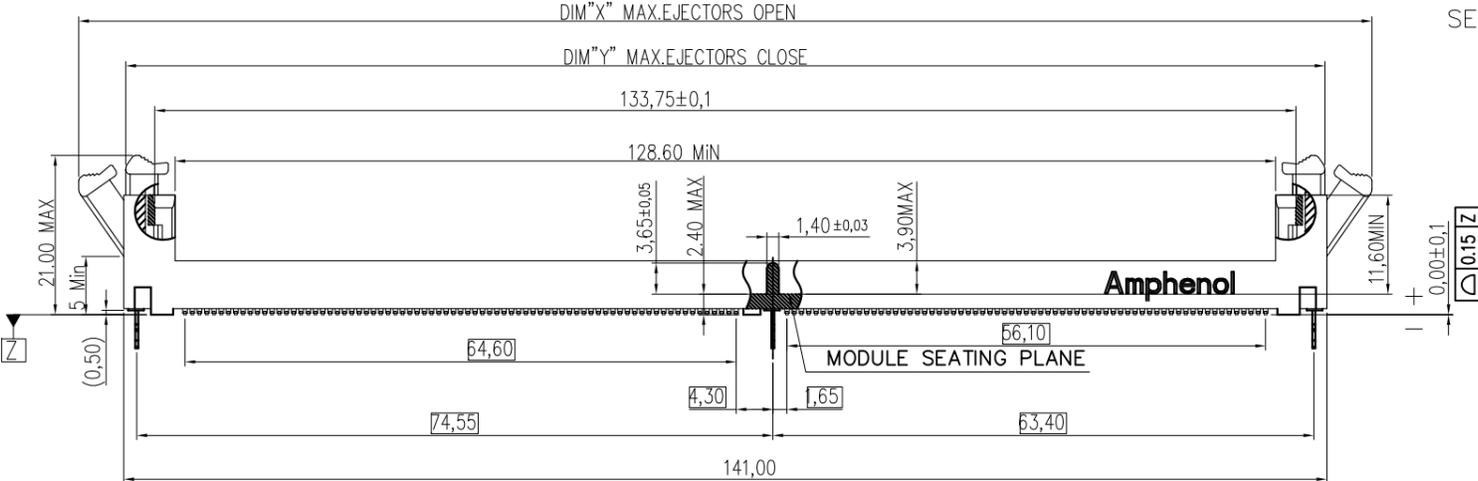
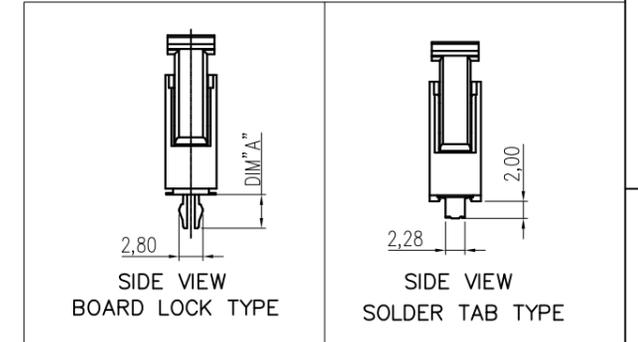
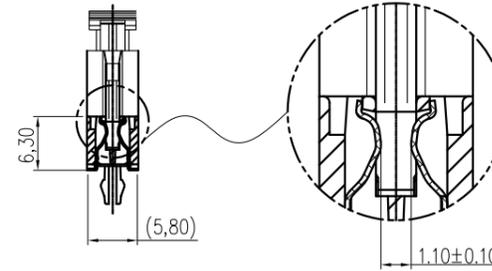
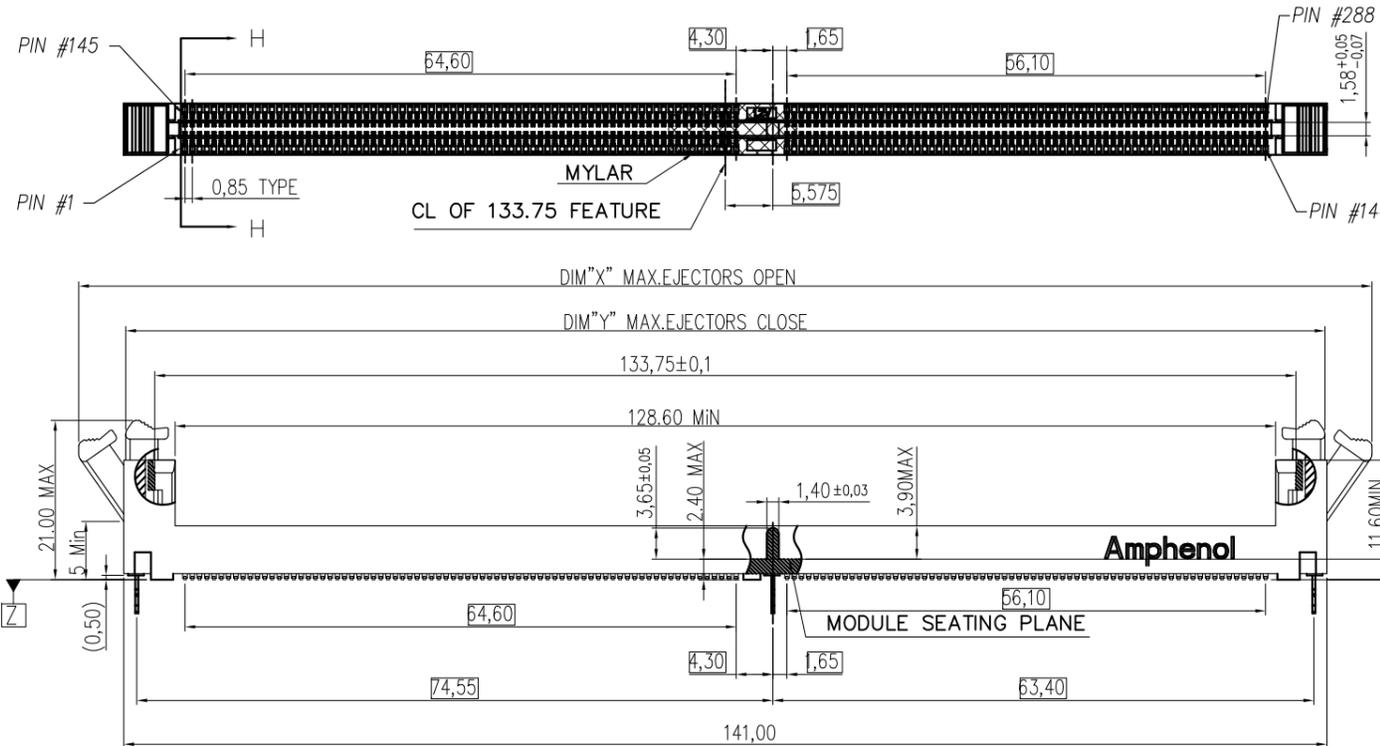
This document is the property of Amphenol Corporation and is delivered on the express condition that it is not to be disclosed, reproduced or used, in whole or in part, for manufacture or sale by anyone other than Amphenol Corporation without its prior consent, & that no right is granted to disclose or to use any information in this document.

PRO/E GENERATED DRAWING, DO NOT CHANGE BY HAND

CUSTOMER DRAWING

REVISIONS

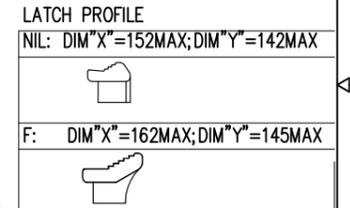
SYM	ECN	DESCRIPTION	DATE	APPROVED
1	HK--	FIRST RELEASE	7/8/14	IP
2	HK--	ADDED DIMENSIONS	8/27/14	IP
3	HK--	ADDED SOLDER TAB TYPE	9/19/14	IP
4	HK--	ADDED PACKING REQUIREMENT IN PAGE 3	12/3/14	IP
5	HK--	ADDED PACKING OPTIONS	12/10/14	IP
6	HK--	MODIFIED SECTION H AND ADDED LATCH PROFILE	02/09/15	IP
7	HK--	ADDED COLOR OPTIONS	03/12/15	IP



NOTES:

- MATERIAL:**
HOUSING: HIGH TEMPERATURE THERMAL PLASTIC, OPTION, UL94V-0, COLOR: OPTION.
LATCH: HIGH TEMPERATURE THERMAL PLASTIC, OPTION, UL94V-0, COLOR: OPTION.
TERMINAL: COPPER ALLOY.
BOARDLOCK: COPPER ALLOY.
- FINISH:**
TERMINAL:
CONTACT AREA: SELECTED GOLD PLATING;
SOLDERING AREA: MATTE TIN PLATING 100 μ" THICKNESS MIN.;
UNDER PLATING: NICKEL PLATING 50 μ" THICKNESS MIN. OVERALL
BOARDLOCK:
NICKEL PLATING 80 μ" THICKNESS MIN.;
- PACKING:** PKS-ZDDR4-001, MPQ: 480PCS
- THIS PRODUCT IS HALOGEN-FREE COMPLIANT PRODUCT.**
- ORDER PN SYSTEM:**
DOUBLE DATA RATE 4 SERIES DDR4-288-S-XX-X-X-X-X
NO. OF POSITIONS: 288 POS.
VERTICAL SMT TYPE
SEQUENCE NUMBER:
01: 3 FORLOCK TYPE; DIM"A": 3.94MM; PCB THK: 1.57MM; WITH MYLAR
02: 3 FORLOCK TYPE; DIM"A": 3.94MM; PCB THK: 1.57MM; WITHOUT MYLAR
03: 3 FORLOCK TYPE; DIM"A": 4.60MM; PCB THK: 2.36MM; WITH MYLAR
04: 3 FORLOCK TYPE; DIM"A": 4.60MM; PCB THK: 2.36MM; WITHOUT MYLAR
05: 3 SOLDER TAB TYPE; WITH MYLAR
06: 3 SOLDER TAB TYPE; WITHOUT MYLAR
07: 2 S/TAB(TWO SIDE), 1 FL/TYPE(MIDDLE) DIM"A" 3.94MM WITH MYLAR
08: 2 S/TAB(TWO SIDE), 1 FL/TYPE(MIDDLE) DIM"A" 3.94MM WITHOUT MYLAR

HOUSING/LATCH COLOR
1: NYLON, BLACK/ NYLON, BLACK
2: NYLON, BLACK/ NYLON, NATURAL(IVORY)
3: NYLON, NATURAL(IVORY)/ NYLON, BLACK
4: NYLON, NATURAL(IVORY)/ NYLON, NATURAL(IVORY)
5: NYLON, BLUE/ NYLON, NATURAL(IVORY)
6: NYLON, GREEN/ NYLON, NATURAL(IVORY)
7: NYLON, BLUE/ NYLON, BLUE
8: NYLON, BLACK/NYLON, BLUE



LATCH OPTION/REMARK:
NIL: DIM "X"=152MAX; DIM "Y"=142MAX
F: DIM "X"=162MAX; DIM "Y"=145MAX

PACKAGE CODE:
T: TRAY
H: HARD TRAY

CONTACT PLATED
0: GOLD FLASH
1: 15 μ" GOLD
2: 20 μ" GOLD
3: 30 μ" GOLD
4: 3 μ" GOLD OVER 12 μ" PdNi
5: 3 μ" GOLD OVER 27 μ" PdNi



UNLESS OTHERWISE SPECIFIED TOLERANCES		APPROVAL		DATE
U.S.	METRIC	DRAWN	Acon.Dai	03/12/15
0.0	+/-	CHECKED	Dem.he	03/12/15
0.00	+/-	CHECKED		
0.000	+/-			
FRACTIONS +/-				
ANGLES +/-	1°			
FOR MATERIALS AND FINISHES SEE NOTES		DRAWING FILE : \DRAWING\DDR4\DDR4288S00000X-7		
REMOVE SHARP EDGES		ANGLE OF PROJECTION		
DIMENSIONS				
U.S.	INCHES			
(METRIC)	(MM)			

 Amphenol East Asia Limited		TITLE	
		Customer drawing For DDR4 Series, 288 pos., 0.85 pitch Vertical SMT Type	
SIZE	DRAWING NO.	REV.	
A3	DDR4-288-S-XX-XX-X-X	7	
SCALE	N/A	SHEET 1 OF 3	

This document is the property of Amphenol Corporation and is delivered on the express condition that it is not to be disclosed, reproduced or used, in whole or in part, for manufacture or sale by anyone other than Amphenol Corporation without its prior consent, & that no right is granted to disclose or to use any information in this document.

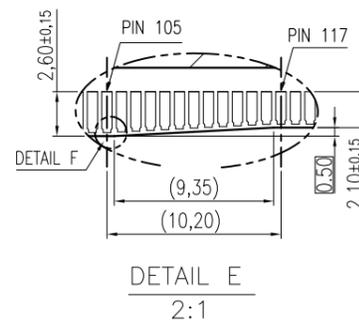
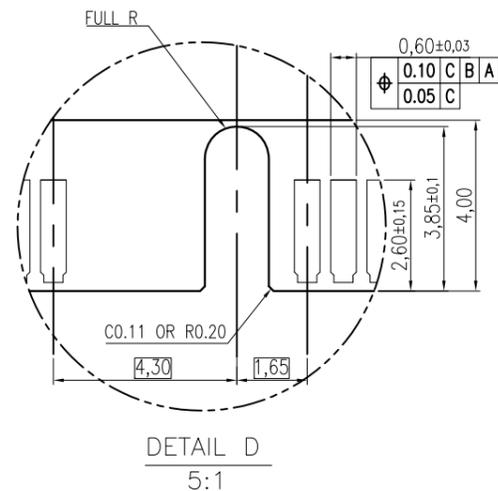
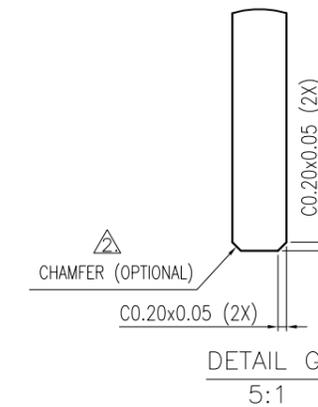
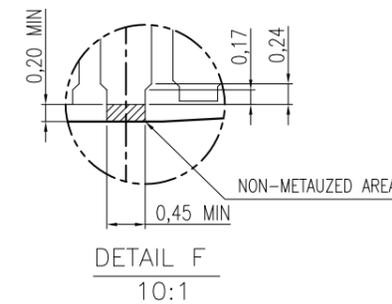
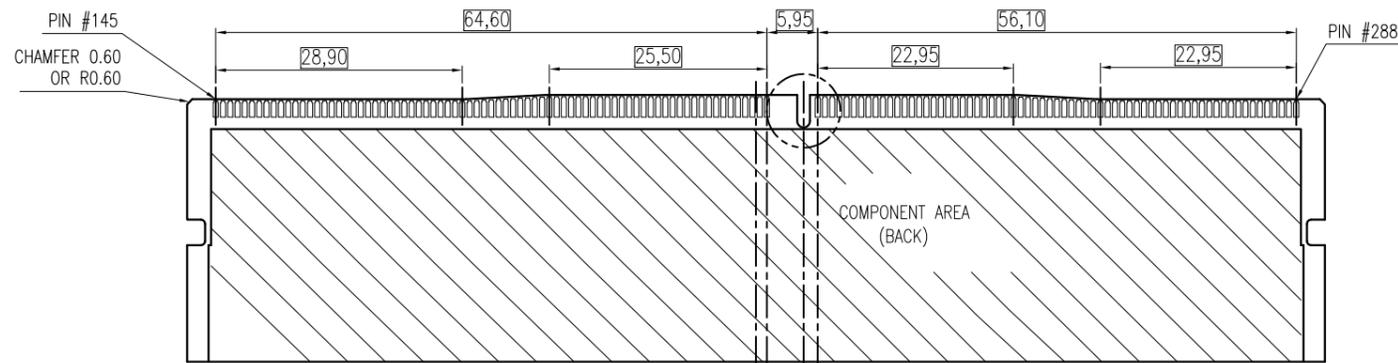
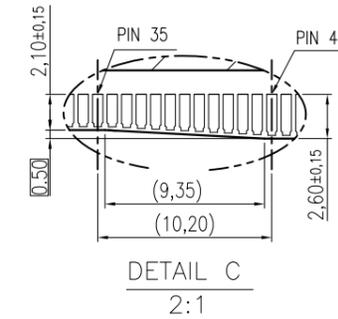
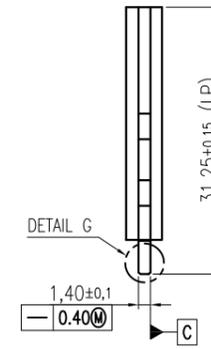
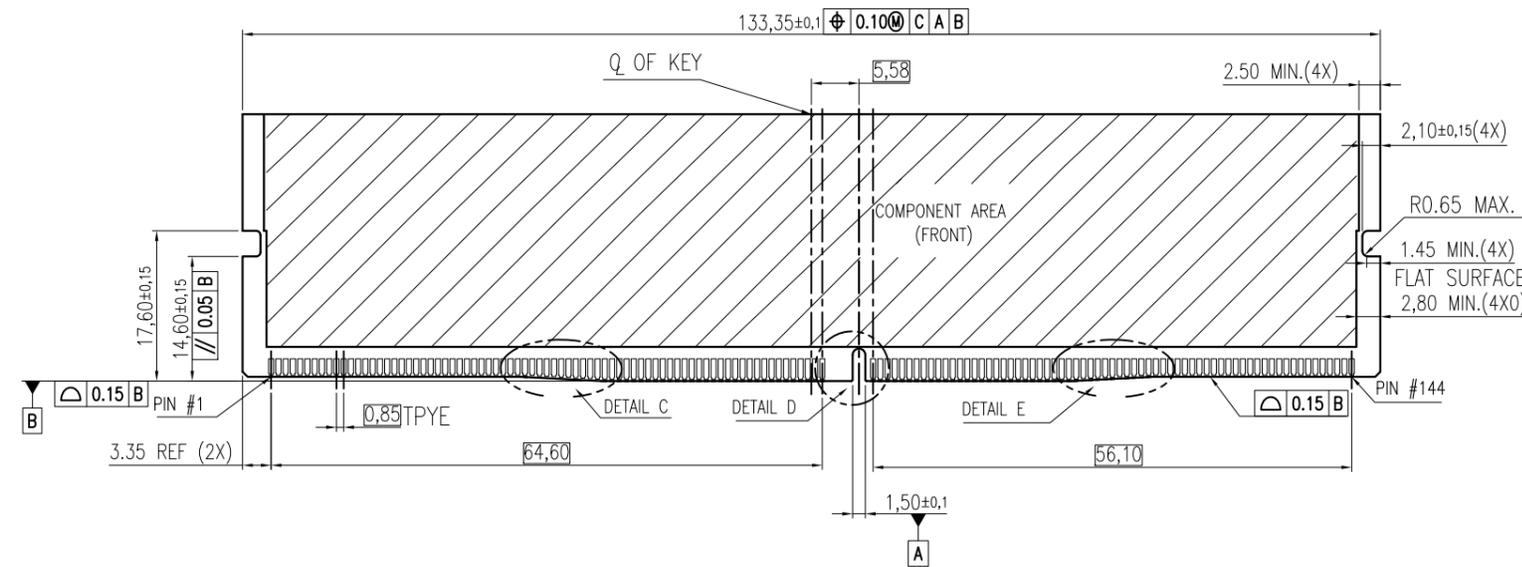
PRO/E GENERATED DRAWING, DO NOT CHANGE BY HAND

CUSTOMER DRAWING

REVISIONS				
SYM	ECN	DESCRIPTION	DATE	APPROVED
SEE SHEET 1				

NOTES:

- RECOMMENDED PLATING FOR CONTACT PADS:
 PREFERRED: 0.76 MICROMETERS GOLD PLATING MIN.
 OVER 2.00 MICROMETERS NICKEL.
 ALTERNATIVE: 0.05~0.75 MICROMETERS GOLD PLATING
 OVER 2.00 MICROMETERS NICKEL MUST USE AN ELECTRONIC
 CONTACT GRADE CORROSIVE BARRIER LUBRICANT.
 △ CHAMFER IS OPTIONAL AND IS NOT TO HIT GOLD PADS.



UNLESS OTHERWISE SPECIFIED TOLERANCES	U.S.	METRIC	APPROVAL	DATE	Amphenol
	0.0 +/-	0.30			
	0.00 +/-	0.20	CHECKED Dam.he	03/12/15	
	0.000 +/-	0.10	CHECKED		
FOR MATERIALS AND FINISHES SEE NOTES	FRACTIONS +/-	1"	DRAWING FILE : \\DRAWING\DDR4\DDR4288S\000000-7		
REMOVE SHARP EDGES	ANGLES +/-		ANGLE OF PROJECTION		
DIMENSIONS					
U.S.	INCHES				
(METRIC)	(MM)		SIZE	DRAWING NO.	REV.
			A3	DDR4-288-S-XX-XX-T-X	7
			SCALE	N/A	SHEET 2 OF 3

4

3

2

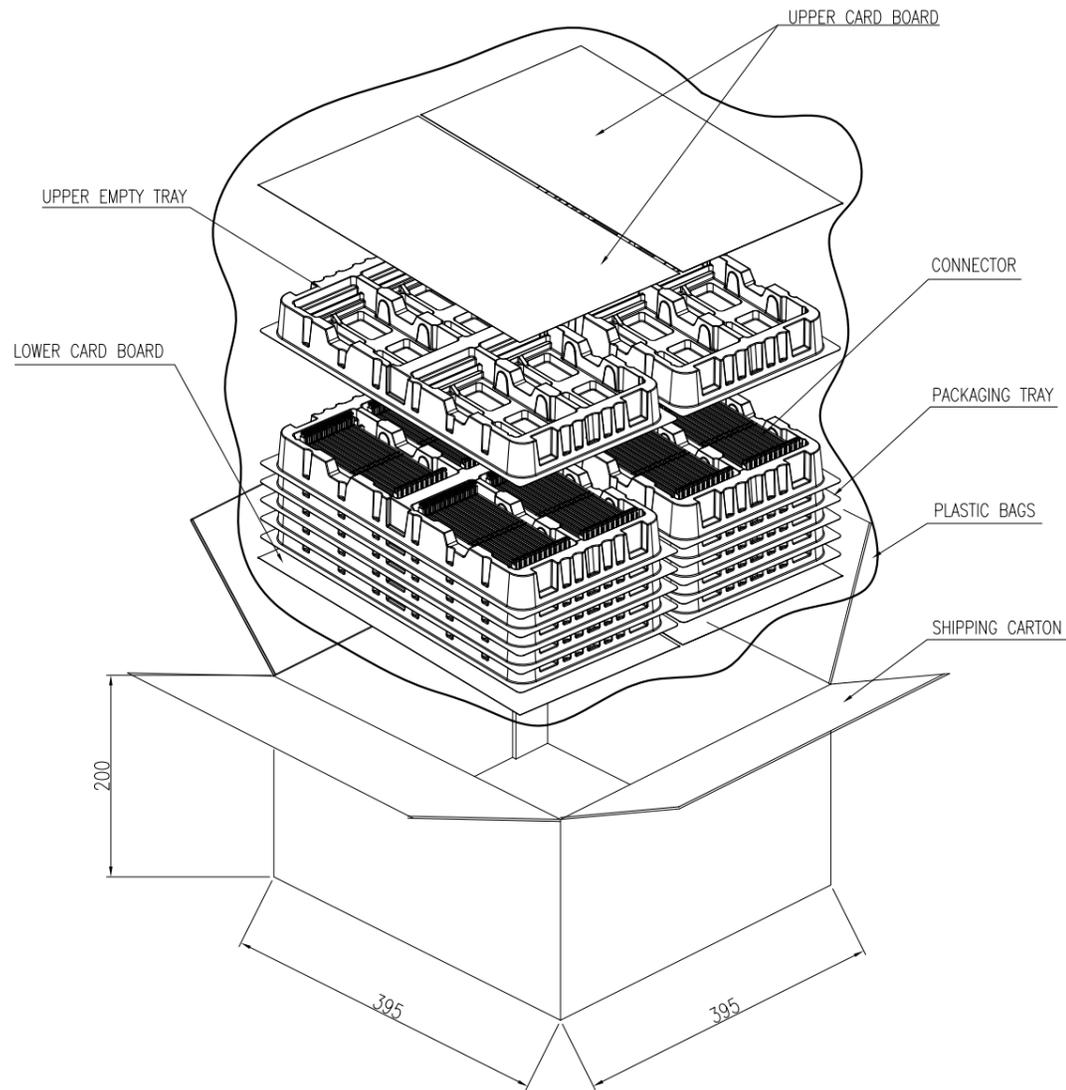
1

This document is the property of Amphenol Corporation and is delivered on the express condition that it is not to be disclosed, reproduced or used, in whole or in part, for manufacture or sale by anyone other than Amphenol Corporation without its prior consent, & that no right is granted to disclose or to use any information in this document.

PRO/E GENERATED DRAWING,DO NOT CHANGE BY HAND

CUSTOMER DRAWING

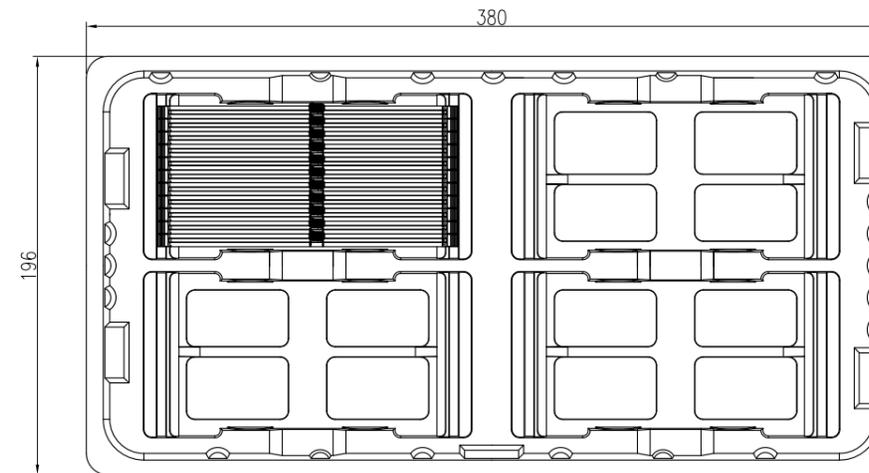
REVISIONS					
SYM	ECN	DESCRIPTION	DATE	APPROVED	
SEE SHEET 1					



NOTES:

1. IN THE 14 PLASTIC TRAYS ,THE TWO TOP PLASTIC TRAYS ARE TO COVER THE CONNECTORS ,THE OTHERS ARE FILLED WITH CONNECTORS.

TOTEL TRAY PER CARTON	QT'Y/TRAY	QT'Y/SHIPPING CARTON	PLASTIC BAGS QT'Y /SHIPPING CARTON	G.W.	N.W.
14	40	480	1	5.2 KGf	3.2 KGf



UNLESS OTHERWISE SPECIFIED TOLERANCES		APPROVAL		DATE	Amphenol Amphenol East Asia Limited TITLE Customer drawing For DDR4 Series, 288 pos.,0.85 pitch Vertical SMT Type
U.S. METRIC		DRAWN	Acon.Dal	03/12/15	
0.0 +/- 0.30	0.00 +/- 0.20	CHECKED	Dem.he	03/12/15	
0.000 +/- 0.10	0.000 +/- 0.10	CHECKED			
FRACTIONS +/- 1"		DRAWING FILE :			
ANGLES +/-		\\DRAWING\DDR4\DDR4288S000000-7			
FOR MATERIALS AND FINISHES SEE NOTES		ANGLE OF PROJECTION			
REMOVE SHARP EDGES					
DIMENSIONS					
U.S. INCHES	(METRIC) (MM)				
		SIZE	DRAWING NO.	REV.	
		A3	DDR4-288-S-XX-XX-X-X	7	
		SCALE	N/A	SHEET 3 OF 3	

Mouser Electronics

Authorized Distributor

Click to View Pricing, Inventory, Delivery & Lifecycle Information:

Amphenol:

[DDR4288S0211TF](#) [DDR4288S0213TF](#) [DDR4288S0221TF](#) [DDR4288S0223TF](#) [DDR4288S0311T](#) [DDR4288S0313T](#)
[DDR4288S0321T](#) [DDR4288S0323T](#) [DDR4288S0511TF](#) [DDR4288S0513TF](#) [DDR4288S0521TF](#) [DDR4288S0523TF](#)
[DDR4288S0611TF](#) [DDR4288S0613TF](#) [DDR4288S0621TF](#) [DDR4288S0623TF](#) [DDR4288S0511H](#)
[DDR4288S0513VF](#) [DDR4288S0521HF](#) [DDR4288S0523VF](#) [DDR4288S0591HF](#) [DDR4288S05A1H](#)
[DDR4288S1121HF](#) [DDR4288S1191HF](#)