

Product Data Sheet

671 GP XX Std

Replace "XX" with 01 through 30 for number of poles

Terminal Block— Closed Back



(6 Pole shown)

30 Amps, 300 Volts (AC/DC) Class B

30 Amps, 150 Volts (AC/DC) Class C

Copper Wire Only

Wire Range with unprepared wire: #14 - #22 AWG

7/16" Centers

Application torque 9 in. lbs

Electrical Ratings:

- 30A with Listed lug
- 20A with unprepared wire
- 300 Volts AC/DC (UL 1059 Class B, Use Group – Commercial Appliances)
- 150 Volts AC/DC (UL 1059 Class C, Use Group – General Industrial)
- Short Circuit Current Rating: 10,000A (Default)
- Approved for Factory and Field Wiring.

NOTE: Use outside these ratings must be judged in end-use application

Mechanical Ratings:

- Insulator base temperature rating: -40° C/F to 150°C (302°F) UL RTI
- Flammability rating of insulator base: UL 94V-1

Materials:

- Connector (Contact): Brass, tin plated.
- Insulator base: Phenolic
- Drive screw (Rivet): Stainless steel
- Screw, #6-32 Binder head, Phil-Slot: Steel, nickel plated

Agency Approvals:

- UL Recognized, UL 1059 Terminal Block Standard, File No. XCFR2.E62806
- CSA Certified, CSA C22.2 No. 158, File No. LR19766
- CE compliant, IEC 60947-7-1
- RoHS Compliant

Wire Range with unprepared wire:

Wire Size	Torque	Copper Wire Stranding Classes - Number of Conductors		
		Solid	Class B	Class C
14	9 in. Lbs	1	1	1
16	9 in. Lbs	1	1	1
18	9 in. Lbs	1	1	1
20	9 in. Lbs	1	1	1
22	9 in. Lbs	1	1	1

Mounting:

Suggested product mounting hardware: #6 fastener, torque to 10-15 in. lbs.

Accessories:

- Printing (for printing options, see Terminal Block Printing)

<http://marathonsp.com/CatalogPDFs/TBPrinting.pdf>

- Marking strips (Sub mounted or Top mounted)

<http://marathonsp.com/CatalogPDFs/TopMountedMS.pdf>

<http://marathonsp.com/CatalogPDFs/SubMounted.pdf>

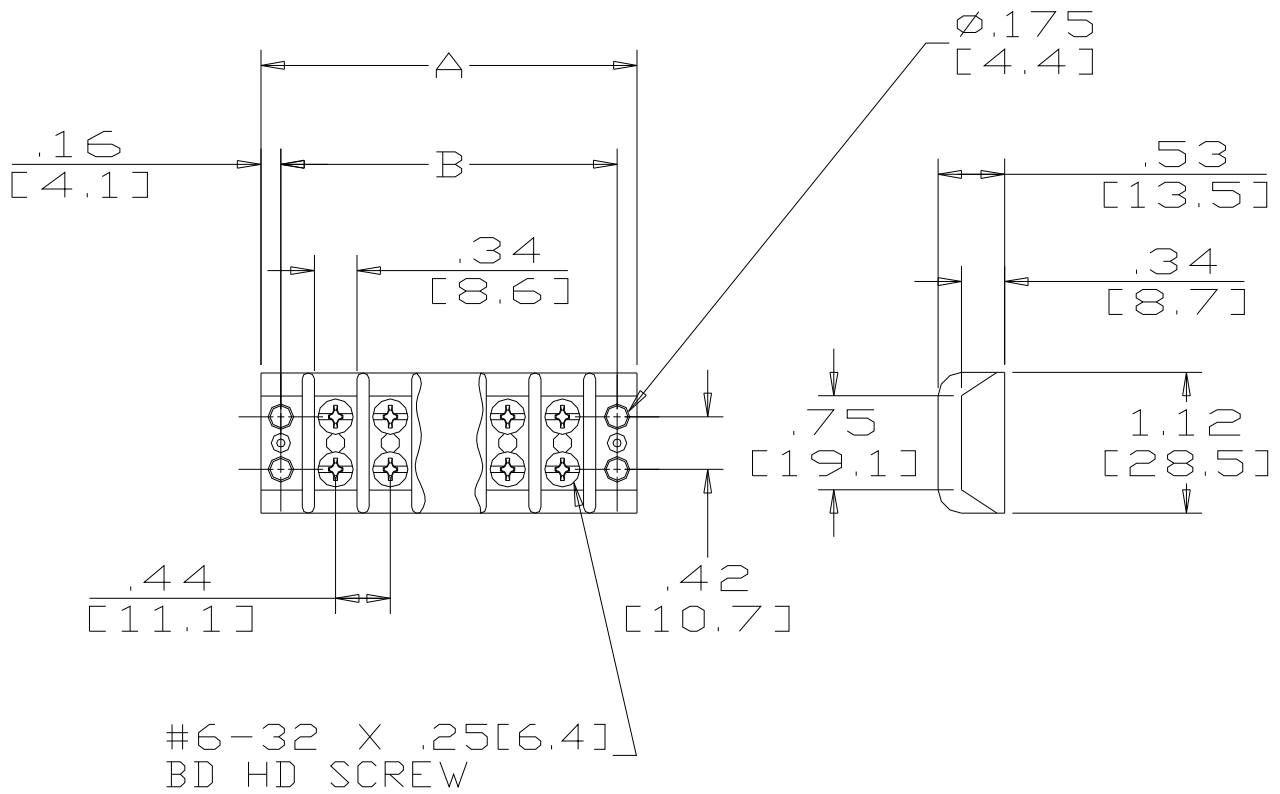


- Cover – top mounted. Order CW (white) or CB (Black). Can be printed.

<http://marathonsp.com/CatalogPDFs/TopMountedCover.pdf>



- Phil-Slot Brass Screw (PSB)



Catalog No	# of Poles	Dimensions		X	Catalog No	# of Poles	Dimensions	
		A	B				A	B
201	1	1.19	0.88	X	216	16	7.75	7.44
202	2	1.62	1.31	X	217	17	8.19	7.88
203	3	2.06	1.75	X	218	18	8.62	8.31
204	4	2.50	2.19	X	219	19	9.06	8.75
205	5	2.94	2.63	X	220	20	9.50	9.19
206	6	3.37	3.06	X	221	21	9.93	9.62
207	7	3.81	3.50	X	222	22	10.37	10.06
208	8	4.25	3.94	X	223	23	10.81	10.50
209	9	4.68	4.37	X	224	24	11.24	10.93
210	10	5.12	4.81	X	225	25	11.68	11.37
211	11	5.56	5.25	X	226	26	12.12	11.81
212	12	5.99	5.68	X	227	27	12.55	12.24
213	13	6.43	6.12	X	228	28	12.99	12.68
214	14	6.87	6.56	X	229	29	13.43	13.12
215	15	7.31	7.00	X	230	30	13.86	13.55

MM = Dim X 25.4

WWW.MARATHONSP.COM
(419) 352-8441