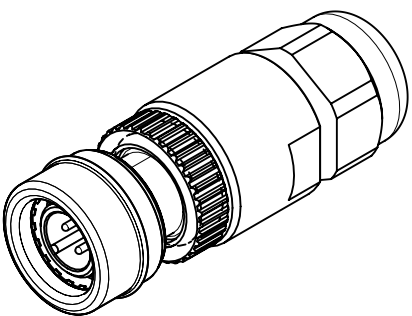
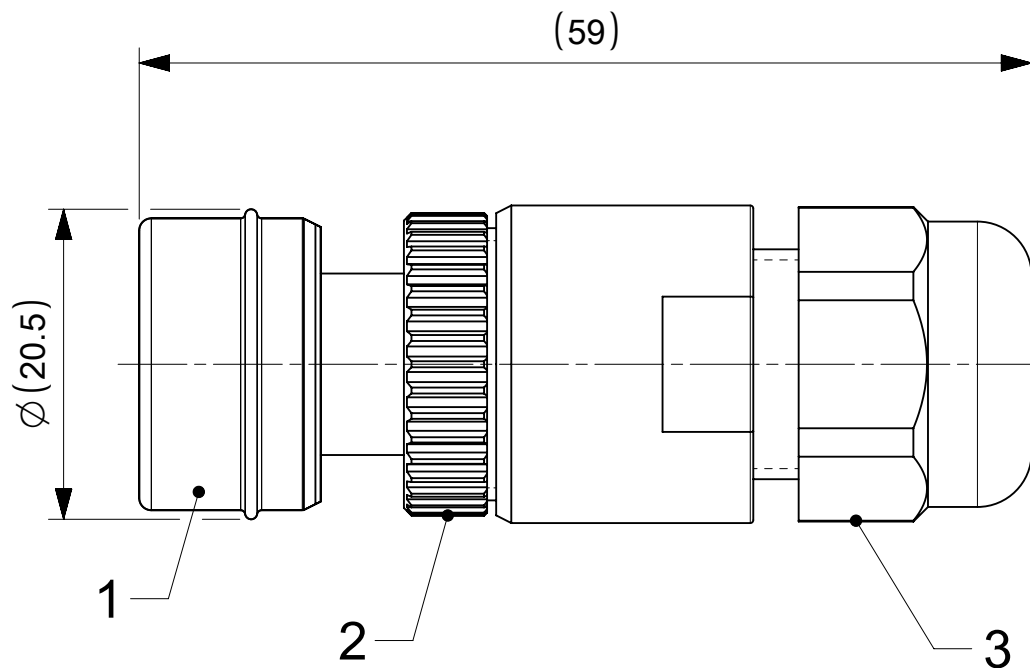
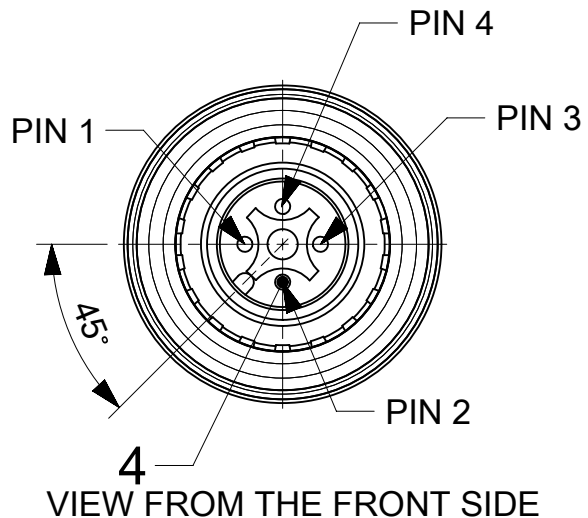


NOTES :

VOLTAGE RATING : 4POLE - 250V AC/DC
 CURRENT RATING : 4AMPS
 IP RATING : IP67/68/69K
 OPERATING TEMPERATURE : -25°C TO +90°C



SCALE 1:1

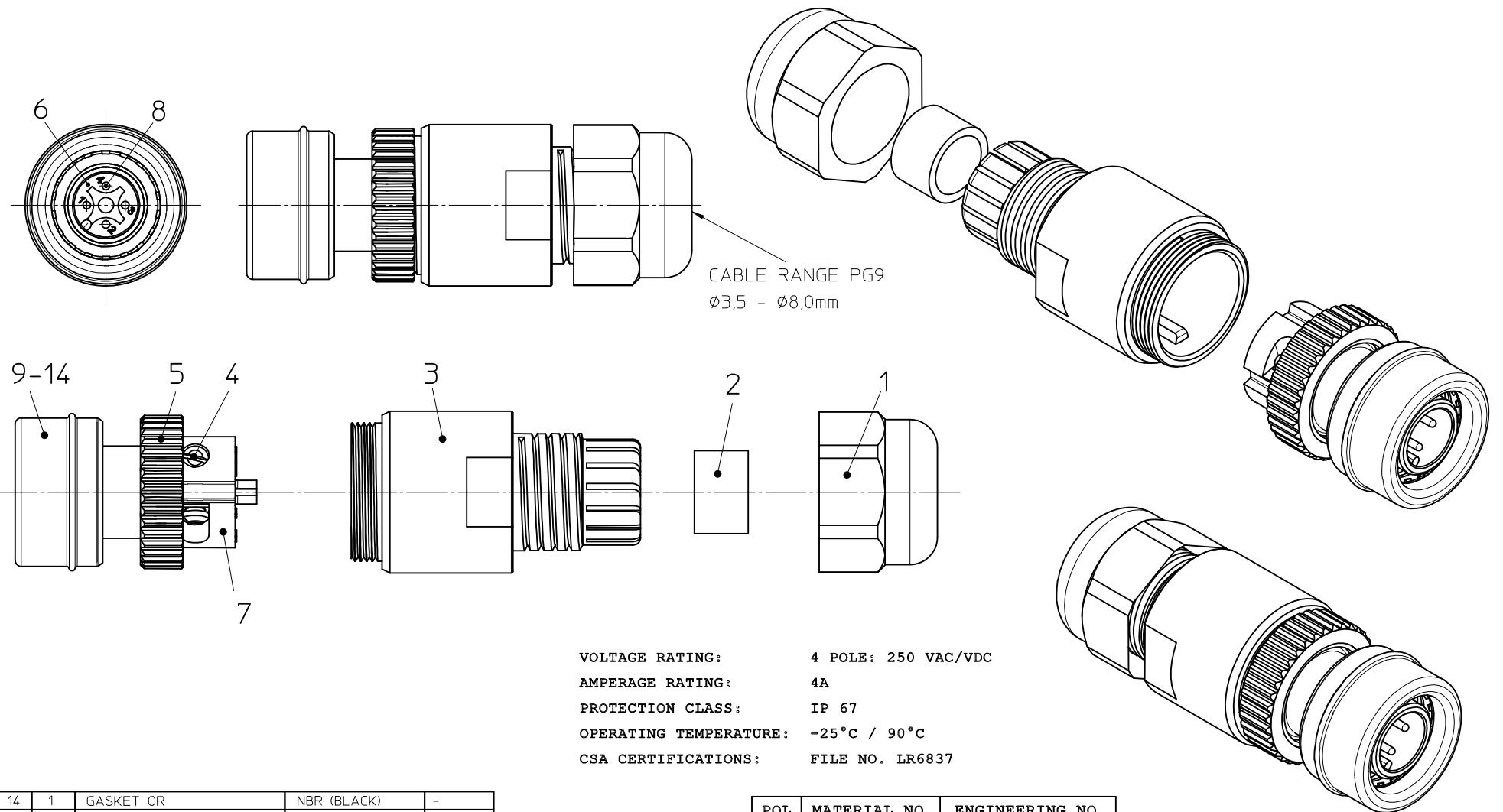
BOM

ITEM	QTY.	DESCRIPTION	MATERIAL	COLOR/FINISH
1	1	ULTRALOCK ASSEMBLY 4P	-	-
2	1	M12 PG9 STRAIGHT ENDSLEEVE	PA	BLACK
3	1	M12 PG9 NUT	PA	BLACK
4	4	MALE CONTACT	BRASS	Ni-PLATED

FUNCTIONAL SYMBOLS $\nabla_A = 0$ $\nabla_E = 0$ $\nabla_P = 0$	THIS DRAWING CONTAINS INFORMATION THAT IS PROPRIETARY TO MOLEX ELECTRONIC TECHNOLOGIES, LLC AND SHOULD NOT BE USED WITHOUT WRITTEN PERMISSION		molex FA U12 4P AC MA STR PG9 BK V4A PRODUCT CUSTOMER DRAWING			
	DIMENSION UNITS: mm SCALE: 2:1 GENERAL TOLERANCES (UNLESS SPECIFIED) ANGULAR TOL ± 1.0° 4 PLACES ± 3 PLACES ± 2 PLACES ± 0.05 1 PLACE ± 0.1 0 PLACES ± 0.5	CURRENT REV DESC: EC NO: 703182 DRWN: SSM 2022/03/10 CHK'D: RSILLER 2022/04/14 APPR: RSILLER 2022/04/14				DOCUMENT NUMBER: 1200850020 DOC TYPE: PSD DOC PART: 000 REVISION: A
DIVISIONAL SYMBOLS DRAFT WHERE APPLICABLE MUST REMAIN WITHIN DIMENSIONS	THIRD ANGLE PROJECTION	DRAWING: A4-SIZE	SERIES: 120085	MATERIAL NUMBER: 1200850020	CUSTOMER: GENERAL MARKET	SHEET NUMBER: 1 OF 1

DOCUMENT STATUS	P1	RELEASE DATE	2022/04/14	13:32:11
-----------------	----	--------------	------------	----------

10 9 8 7 6 5 4 3 2 1



VOLTAGE RATING: 4 POLE: 250 VAC/VDC
 AMPERAGE RATING: 4A
 PROTECTION CLASS: IP 67
 OPERATING TEMPERATURE: -25°C / 90°C
 CSA CERTIFICATIONS: FILE NO. LR6837

ITEM	QTY	DESCRIPTION	MATERIAL	FINISH
14	1	GASKET OR	NBR (BLACK)	-
13	1	SLEEVE U12 MA STR	V4A	-
12	1	SLEEVE MA	V4A	-
11	1	SPRING U12U	V4A	-
10	1	GASKET	EPDM (BLACK)	-
9	1	GASKET	FPM (RED)	-
8	4	CONTACT MA U12 FA	BRASS	NI
7	1	INSERT U12 FA	PA (BLACK)	-
6	1	INSERT U12 4P AC	PA (BLACK)	-
5	1	LOCK RING FA	PA (BLACK)	-
4	4	SCREW FA	ST	-
3	1	ENDSLEEVE STR PG9 FA	PA (BLACK)	-
2	1	GROMMET PG9	CR/NBR (BLACK)	-
1	1	HUT NUT FA PG9	PA (BLACK)	-

POL	MATERIAL NO.	ENGINEERING NO.
4	1200850020	WA4006-328

ENTER DESCRIPTION EC NO: IPG2016-1096 DRW:RSCHIEBER 2016/02/16 CHKD:REISSNER 2016/02/16 APPR:RSILLER 2016/03/01	DESCRIPTION 2	QUALITY SYMBOLS ▽=0 ▽=0	GENERAL TOLERANCES (UNLESS SPECIFIED) <table border="1"> <thead> <tr> <th></th> <th>mm</th> <th>INCH</th> </tr> </thead> <tbody> <tr> <td>4 PLACES</td> <td>± ---</td> <td>± ---</td> </tr> <tr> <td>3 PLACES</td> <td>± ---</td> <td>± ---</td> </tr> <tr> <td>2 PLACES</td> <td>± 0.05</td> <td>± ---</td> </tr> <tr> <td>1 PLACE</td> <td>± 0.30</td> <td>± ---</td> </tr> <tr> <td>0 PLACE</td> <td>± 0.50</td> <td>± ---</td> </tr> </tbody> </table>		mm	INCH	4 PLACES	± ---	± ---	3 PLACES	± ---	± ---	2 PLACES	± 0.05	± ---	1 PLACE	± 0.30	± ---	0 PLACE	± 0.50	± ---	DIMENSION STYLE MM ONLY DRAWN BY: RSCHIEBER DATE: 2016/02/08	SCALE 2:1 DESIGN UNITS METRIC THIRD ANGLE PROJECTION	TITLE FA U12 4P AC MA STR PG9 BK V4A
			mm	INCH																				
		4 PLACES	± ---	± ---																				
		3 PLACES	± ---	± ---																				
2 PLACES	± 0.05	± ---																						
1 PLACE	± 0.30	± ---																						
0 PLACE	± 0.50	± ---																						
DRAFT WHERE APPLICABLE MUST REMAIN WITHIN DIMENSIONS			MATERIAL NO. SEE TABLE	DOCUMENT NO. SD-120085-009	SHEET NO. 1 OF 1																			
THIS DRAWING CONTAINS INFORMATION THAT IS PROPRIETARY TO MOLEX INCORPORATED AND SHOULD NOT BE USED WITHOUT WRITTEN PERMISSION																								

9 8 7 6 5 4 3 2 1