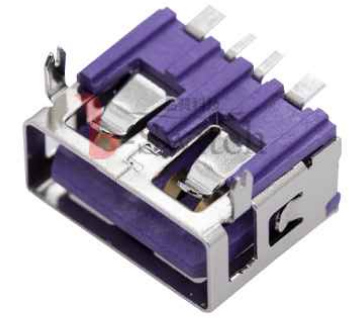
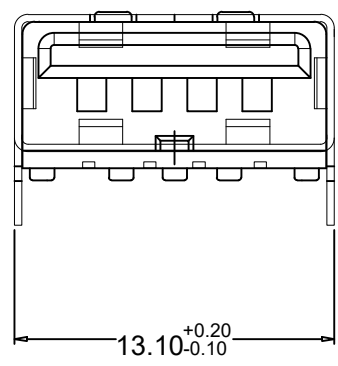
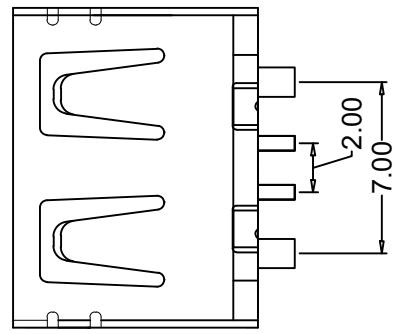
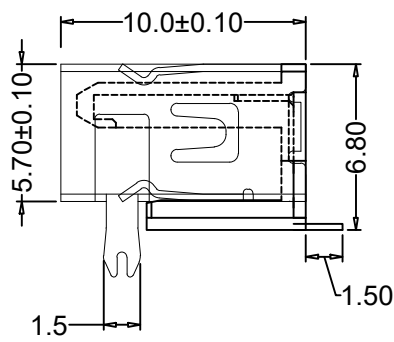
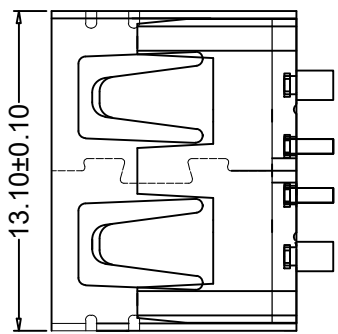


A B C D E

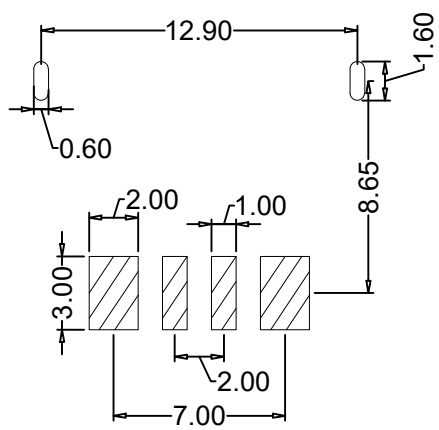


# GT-USB-2020S-CPG1N

G-Switch  
USB系列  
系列编码  
C=铜壳  
I=铁壳  
S=不锈钢  
N=直边  
A=卷边  
G1=1U  
G3=3U  
G5=5U  
G15=15U  
G30=30U  
W=白色 (PBT)  
B=黑色 (PBT)  
P=紫色 (PBT)  
N=其它



规格说明: Specifications:  
电气特性: Electrical:  
1. 额定电流: Current Rating  
3.1A/contact terminal  
2. 额定电压: Voltage Rating  
30V DC  
3. 接触阻抗: Contact Resistance  
30 milliohms MAX  
4. 耐电压: Dielectric Withstanding Voltage:  
500 V AC AT Sea Level  
5. 绝缘阻抗: Insulation Resistance:  
1000MEGA ohms MIN  
物理性能: Mechanical:  
1. 插拔力: Connector Mate and Unmate Force  
Mate force: 3.57kgf(MAX)  
Unmate force: 1.02kgf(MIN)  
2. 端子保持力: Terminal Retention  
1.0kgf(MIN)  
原材料: Material:  
1. 塑胶: Housing:  
Hing Temperature Thermoplastics,  
2. 端子: Contact: Copper Alloy C2680  
3. 外壳: Shell: Copper Alloy C2680/SPCC  
电镀: Finish:  
1. 端子: Contact: Plated Gold in Mating Area;  
Tin On Solder Tails  
2. 外壳: Shell:  
铜壳四周镀50U"(MIN)锡, 镀金区域镀100-200U"镀金1U"  
铜壳四周镀80U"(MIN)锡  
Nickel Plating



## G-Switch Electronic (HongKong) CO.,Ltd.

.logo\ logo2.jpg	DESIGN Li Qingqi	DATE 2022.06.15	Molde code:		
	CHECKED	DATE	GT-USB-2020S-CPG1N		
Unless otherwise specified, Tolerance:	APPROVED	DATE			
X. ±0.30	<a href="http://www.dg-switch.com">http://www.dg-switch.com</a>		REV.: X1	SCALE: 4:1	UNIT: mm
X.x ±0.20	TEL:0769-82388879		SIZE: A4	SHEET: 1/1	
X.xx ±0.15					
X.xxx ±0.10					
Angles ±3°					

A B C D E