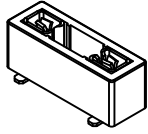
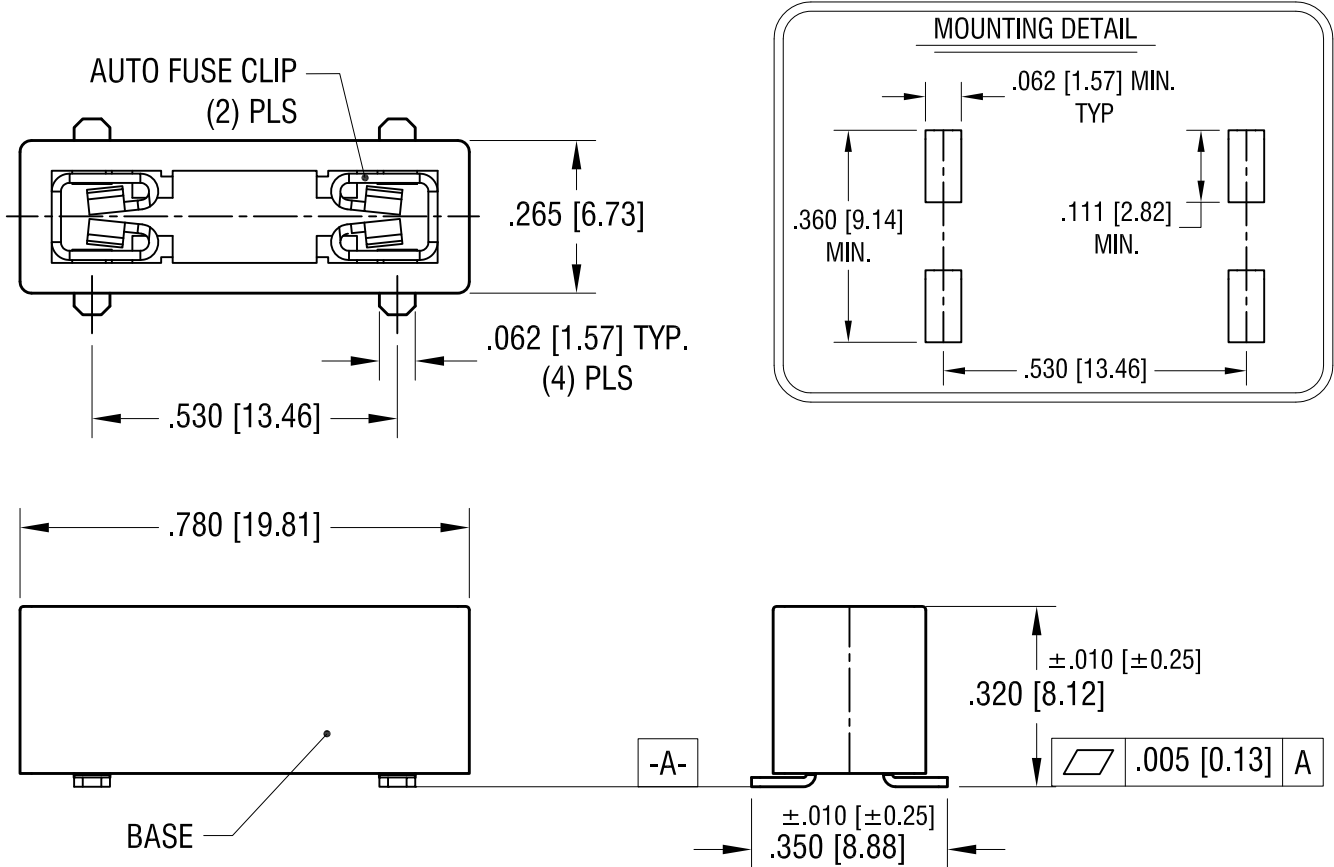


THIS DOCUMENT IS THE PROPERTY OF
KEYSTONE ELECTRONICS CORP. AND
SHALL NOT BE REPRODUCED, DISTRIBUTED
OR USED AS A BASIS FOR MANUFACTURE
WITHOUT PRIOR WRITTEN PERMISSION
FROM KEYSTONE ELECTRONICS CORP.



ACTUAL SIZE



NOTE:

1. BASE: MAT'L: HEAT RESISTANCE NYLON
STANYL 46 OR EQUIVALENT (COLOR-RED)
2. CLIP: MAT'L: .016 [0.40] TH'K BRASS,
MATTE TIN PLATE
3. FUSE HOLDER SUPPLIED IN MSL-2 PACKAGING

KEYSTONE ELECTRONICS CORP.			
www.keyelco.com • NEW HYDE PARK NY 11040 • Tel (516)328-7500			
PART NAME		SM AUTO-FUSE HOLDER	
MATERIAL		AS NOTED	
FINISH	AS NOTED	DRN BY	NT
		DATE	6.14.16
		APP'D	MR
		SCALE	3X
TOLERANCES	INCH [MM]	CODE	DWG NO.
DECIMAL	± .005 [± 0.13]	C	3587-10
ANGULAR	± 1°		
UNLESS OTHERWISE SPECIFIED			

2.10.23	CHANGE AS PER ECN 23-019	A
DATE	DESCRIPTION	REV.