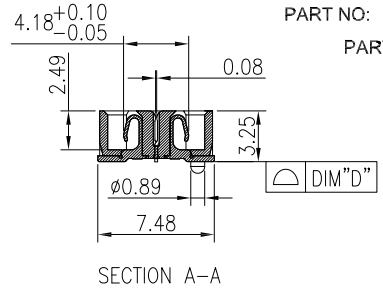
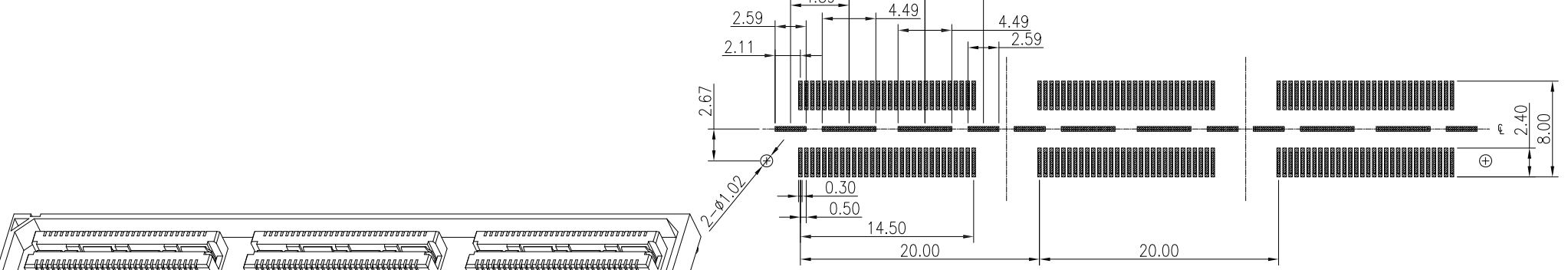
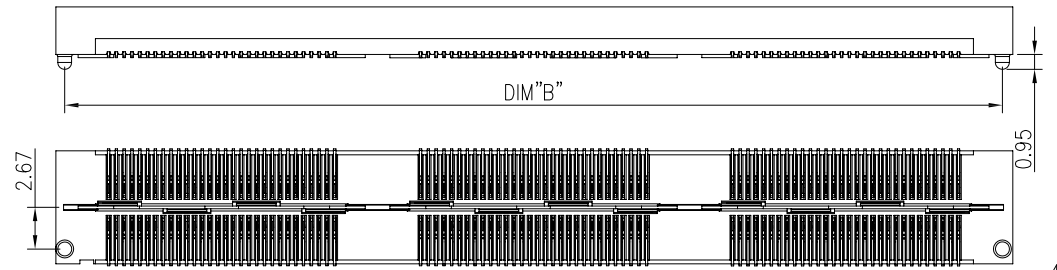


- NOTES:
- HUOSING: LCP HIGH-TEMP THERMOPLASTIC UL94V-0 COLOR: BLACK
 - TERMINAL/GROUND PLANE: PHOSPHOR BRONZE
PLATING: 10μ GOLD IN CONTACT AREA, MATTE TIN ON TALL.
 - Operating Temp Range: -55 to +125
 - Current Rating :
Contact : 2A per pin
Ground Plane : 25A per ground plane
 - Voltage Rating : 175 VAC
 - Max Cycles : 175 VAC

NO. of contacts	Dimensions			
	A.	B.	C.	D.
60	21.38	20.13	20.18	0.10
120	41.38	40.13	40.18	0.10
180	61.38	60.13	60.18	0.15
240	81.38	80.13	80.18	0.15
300	101.38	100.13	100.18	0.15



PART NO:
PART NO: BSH05- XXX V01 G10 T
230: 60PIN
260: 120PIN
290: 180PIN
G10: Au 10μ"/Tin



RECOMMENDED PCB PATTERN DIM.
TOLFRANCF · +0.05

OPERATION	DIM	TOL			SCALE	FIT			MODIFICATION DESCRIPTION
			DRAW	DATE			SIZE	TITLE	
X.X	±0.30		LIUSHENGYU			mm			
X.XX	±0.13		LIUSHENGYU	2017/03/20		A4	PART NO.	BHSH05- XXXV01G10T	
X.XXX	±0.05		LVHAIXIN			1/2	TITLE:	0.50mm DOUBLE ROW BTB SOCKET H3.25	
Angle	±3°		LVHAIXIN	REV A0		PROJ.			

