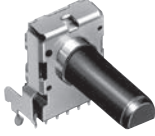
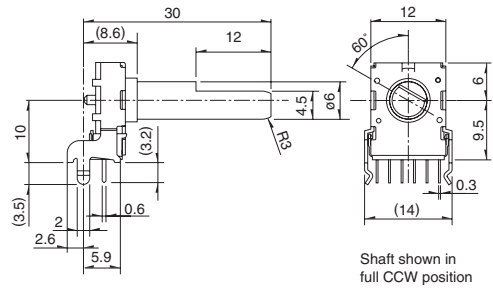
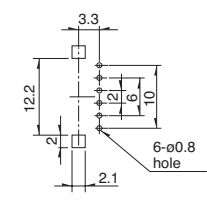

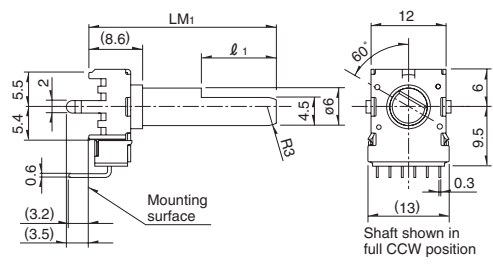
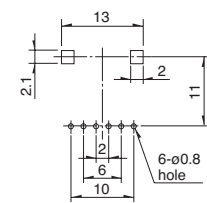


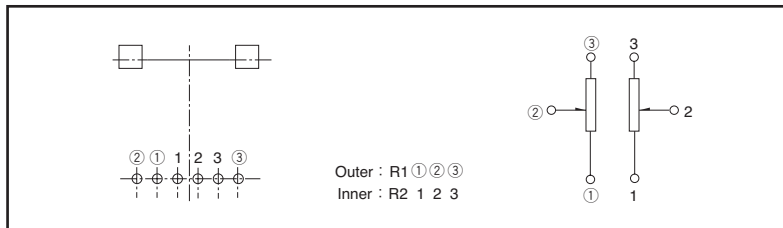
# RK12L 12mm Size Insulated Shaft Snap-in Type

## Dimensions

Unit:mm

No.	Photo	Style	PC board mounting hole dimensions (Viewed from mounting side)										
1	<p><b>Horizontal type</b>  <b>RK12L121 (For tone control)</b>  <b>RK12L12A (For vol. control)</b></p> 	 <p>Shaft shown in full CCW position</p>											
2	<p><b>Vertical type</b>  <b>RK12L123 (For tone control)</b>  <b>RK12L12C (For vol. control)</b></p> 	<table border="1"> <tr> <td>LM<sub>1</sub></td> <td>15</td> <td>20</td> <td>25</td> <td>30</td> </tr> <tr> <td>ℓ<sub>1</sub></td> <td>4.5</td> <td>7</td> <td>12</td> <td>12</td> </tr> </table>  <p>Shaft shown in full CCW position</p>	LM <sub>1</sub>	15	20	25	30	ℓ <sub>1</sub>	4.5	7	12	12	
LM <sub>1</sub>	15	20	25	30									
ℓ <sub>1</sub>	4.5	7	12	12									

## Terminal Layout / Circuit Diagram



## 12mm Size Insulated Shaft Snap-in Type / Other Specifications

In addition to the products listed, we can accommodate the follow specifications.

### Total Resistance Variety

Total resistance (k Ω)	5	10	20	50	100	200
------------------------	---	----	----	----	-----	-----

### Resistance Taper

Resistance taper	15A	1B	3B	15C
------------------	-----	----	----	-----

### Shaft Variety

Unit:mm

Style	Vertical type		Horizontal type	
	LM <sub>1</sub>	ℓ <sub>1</sub>	LM <sub>1</sub>	ℓ <sub>1</sub>
Shaft variety	15	4.5	25	12
	20	7	30	12

### Note

Marked are specifications recommended by Alps.

# 12mm Size Insulated Shaft Snap-in Type / Ordering Products Not Listed

When ordering product varieties that are not listed, specify referring to the examples below.

## Sample Part Number

**R K 1 2 L 1 2 C 0 - F 3 0 - C 0 - A 5 0 3**

Model type

Code	Model type
1	Horizontal type for tone
3	Vertical type for tone
A	Horizontal type for vol.
C	Vertical type for vol.

Shaft type

Code	Shaft type
F	Flat

\*Only available in flat format.

Length of the shaft LM<sub>1</sub> (mm)

Code	Length of the shaft	Code	Length of the shaft
15	15	25	25
20	20	30	30

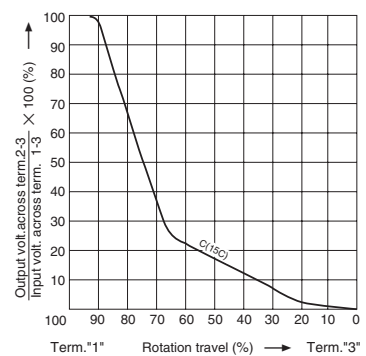
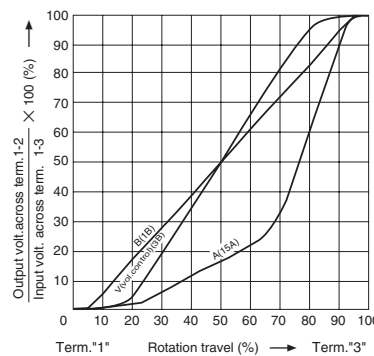
Detent

Code	Center detent
C0	Without
C1	With

Resistance taper

Code	Resistance taper	Code	Resistance taper
A	15A	C	15C
B	1B	V	3B

B: For tone & general (Model type: 1, 3)  
V: For vol. (Model type: A, C)



Total resistance

Code	Total resistance (k Ω)	Code	Total resistance (k Ω)
502	5	503	50
103	10	104	100
203	20	204	200

## Note

Marked are specifications recommended by Alps.

# Mouser Electronics

Authorized Distributor

Click to View Pricing, Inventory, Delivery & Lifecycle Information:

## ALPS:

[RK12L1210-F30-C0-C102](#) [RK12L1210C0H](#) [RK12L1230C36](#) [RK12L1230C03](#) [RK12L1210C1N](#) [RK12L123000G](#)  
[RK12L1210C0L](#) [RK12L12C0-F30-C0-B502](#) [RK12L1210C0K](#) [RK12L12C0C0P](#) [RK12L1210C1M](#) [RK12L1230C1T](#)  
[RK12L1210C1K](#)