

Customer Information Sheet

DRAWING No.: M80-869XXXX

SHEET 2 OF 2

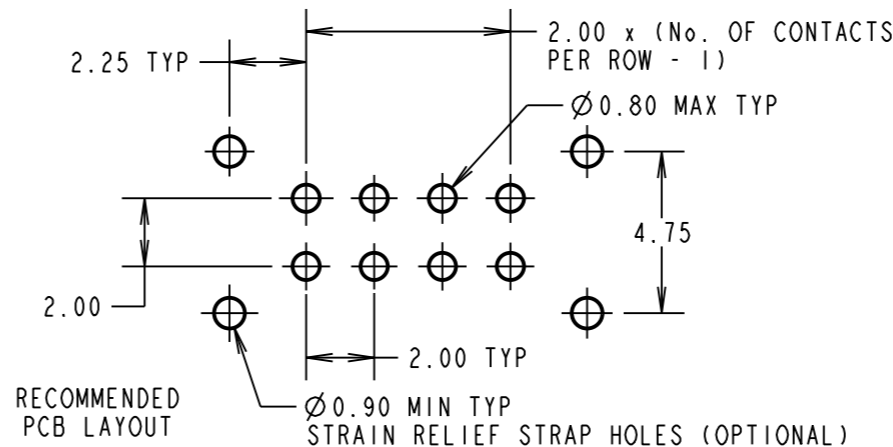
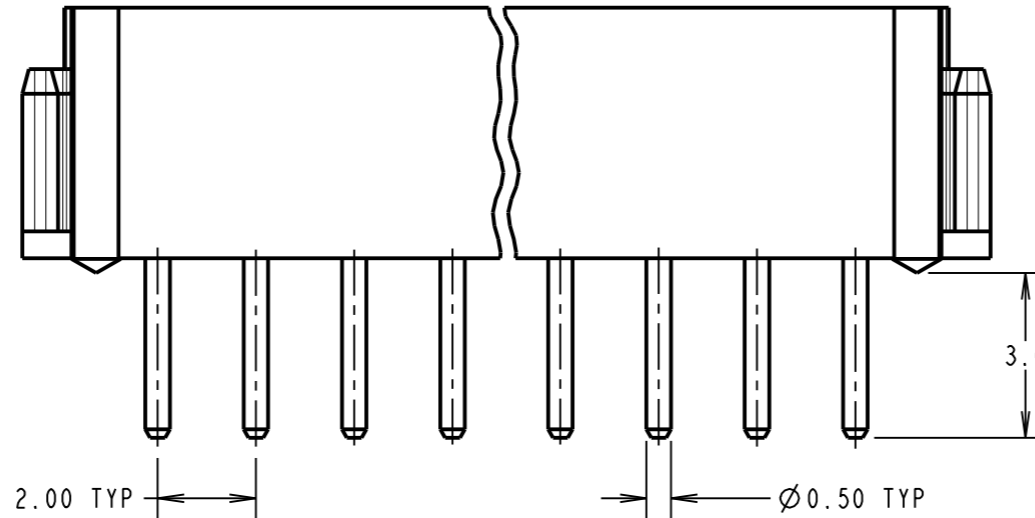
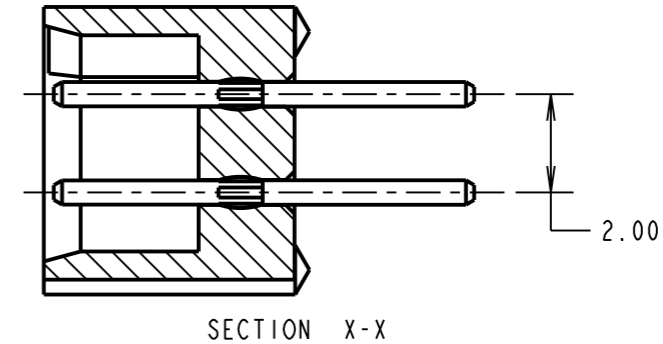
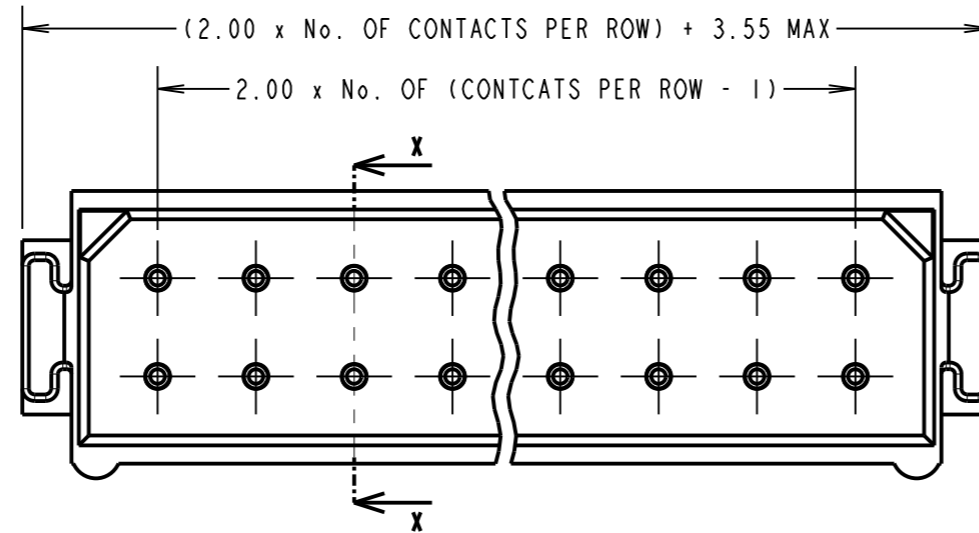
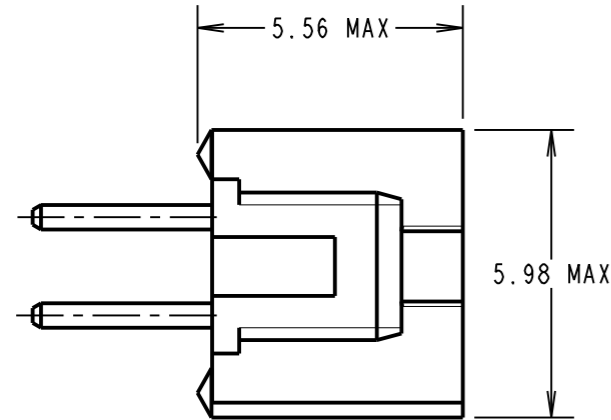
IF IN DOUBT - ASK

©

NOT TO SCALE

THIRD ANGLE PROJECTION

ALL DIMENSIONS IN mm



- NOTES:
- 2-OFF STRAIN RELIEF STRAPS M80-0030006 CAN BE ORDERED SEPARATELY IF REQUIRED.
 - FOR RoHS COMPLIANT PRODUCT USE M80-854XXXX.

SPECIFICATIONS:
MATERIAL:
 MOULDING = GLASS FILLED POLYESTER, UL94V-0
 CONTACTS = PHOSPHOR BRONZE
FINISH:
CONTACTS:
 05 = 0.75µ GOLD
 22 = 0.75µ GOLD ON CONTACT AREA,
 3.0µ 90/10 TIN/LEAD ON TAILS
ENVIRONMENTAL:
 TEMPERATURE RANGE = -55°C TO +125°C
MECHANICAL:
 DURABILITY = 500 OPERATIONS
PACKING:
 TUBE
ELECTRICAL:
 CURRENT RATING AT 25°C = 3.0A MAX.
 CURRENT RATING AT 85°C = 2.2A MAX.
 WORKING VOLTAGE = 800V AC/DC
 VOLTAGE PROOF = 1200V AC/DC
 CONTACT RESISTANCE (INITIAL) = 20 mΩ MAX.
 CONTACT RESISTANCE (AFTER CONDITIONING) = 25 mΩ MAX.
 INSULATION RESISTANCE (INITIAL) = 1000 MΩ MIN.
 INSULATION RESISTANCE (AFTER CONDITIONING) = 100 MΩ MIN.
 FOR COMPLETE SPECIFICATION, SEE COMPONENT SPECIFICATION C005XX (LATEST ISSUE)

BRITISH STANDARD ORDER CODE:
 TO BS9525 F0033
B5743-2XX-M-T-X
 TOTAL No. OF CONTACTS: _____
 04, 06, 08, 10, 12, 14, 16,
 18, 20, 26, 34, 44
FINISH:
 0 = SELECTIVE GOLD
 2 = GOLD

ORDER CODE:
M80-869XXXX
 TOTAL No. OF CONTACTS: _____
 04, 06, 08, 10, 12, 14, 16,
 18, 20, 26, 34, 44
FINISH:
 05 = GOLD
 22 = SELECTIVE GOLD

SB	16	15.07.14	12531
NAME	ISS.	DATE	C/NOTE
APPROVED:		S. BENNETT	
CHECKED:		M.G. PLESTED	
DRAWN:		W. J. BOURNE	
CUSTOMER REF.:			
ASSEMBLY DRG:			

 www.harwin.com technical@harwin.com	THIS DRAWING AND ANY INFORMATION OR DESCRIPTIVE MATTER SET OUT HEREON ARE CONFIDENTIAL AND COPYRIGHT PROPERTY OF THE HARWIN GROUP AND MUST NOT BE DISCLOSED, LOANED, COPIED OR USED FOR MANUFACTURING, TENDERING OR FOR ANY OTHER PURPOSE WITHOUT THEIR WRITTEN PERMISSION.	TOLERANCES X. = ±1mm X.X = ±0.25mm X.XX = ±0.10mm X.XXX = ±0.01mm ANGLES = ±5° UNLESS STATED	MATERIAL: SEE ABOVE	TITLE: DATAMATE 2mm PITCH VERTICAL PC TAIL DIL PLUG ASSEMBLY - UNLATCHED DRAWING NUMBER: M80-869XXXX	SHT 2 OF 2
			FINISH: SEE ABOVE S/AREA: mm ²		

Mouser Electronics

Authorized Distributor

Click to View Pricing, Inventory, Delivery & Lifecycle Information:

Harwin:

[M80-8692022](#) [M80-8693422](#) [M80-8692622](#) [M80-8691622](#) [M80-8690405](#) [M80-8691205](#) [M80-8691822](#) [M80-8690605](#) [M80-8691005](#) [M80-8691422](#) [B5743-218-M-T-0](#) [B5743-208-M-T-0](#) [B5743-214-M-T-0](#) [B5743-210-M-T-0](#) [B5743-216-M-T-0](#) [B5743-212-M-T-0](#) [B5743-234-M-T-2](#) [B5743-234-M-T-0](#) [B5743-206-M-T-0](#) [B5743-204-M-T-0](#) [B5743-226-M-T-0](#) [B5743-220-M-T-0](#) [B5743-208-M-T-2](#) [B5743-210-M-T-2](#) [B5743-214-M-T-2](#) [M80-8691805](#) [M80-8692605](#) [M80-8693405](#) [M80-8690422](#) [M80-8691222](#) [M80-8690822](#) [M80-8690622](#) [M80-8691022](#) [M80-8694422](#) [B5743-206-M-T-2](#)