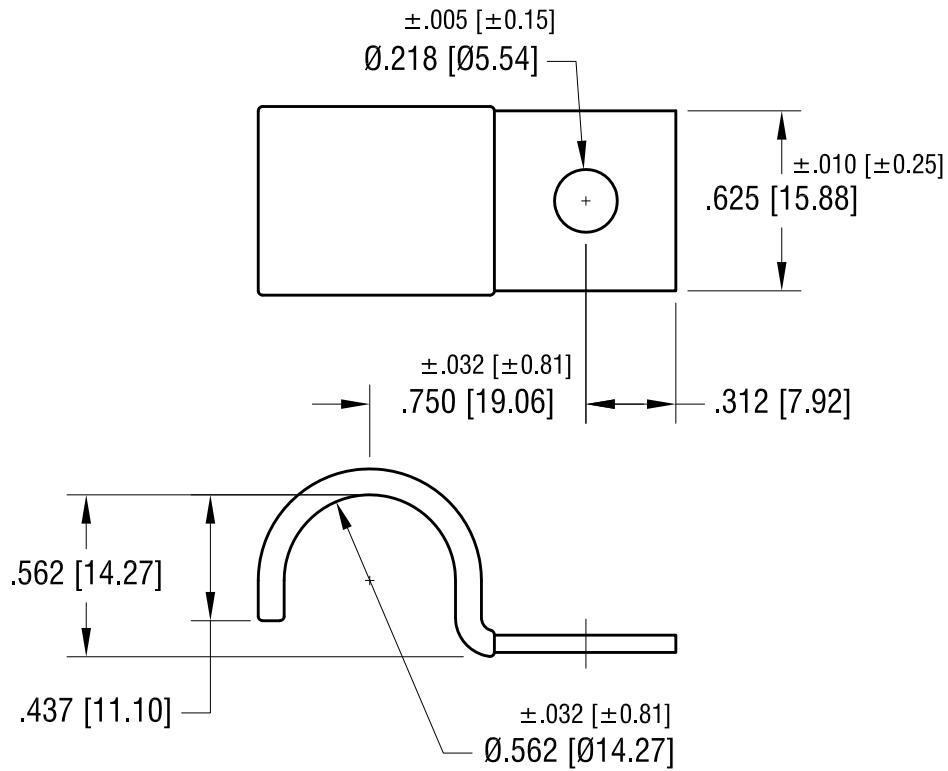
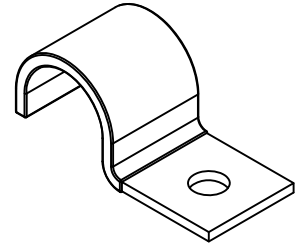


THIS DOCUMENT IS THE PROPERTY OF  
KEYSTONE ELECTRONICS CORP. AND  
SHALL NOT BE REPRODUCED, DISTRIBUTED  
OR USED AS A BASIS FOR MANUFACTURE  
WITHOUT PRIOR WRITTEN PERMISSION  
FROM KEYSTONE ELECTRONICS CORP.

ACTUAL SIZE



**KEYSTONE ELECTRONICS CORP.**

www.keyelco.com • NEW HYDE PARK NY 11040 • Tel (516)328-7500

PART NAME

INSULATED HALF CLAMP

MATERIAL

.060 [1.52] TH'K STEEL, BLACK VINYL

FINISH

ZINC PLATE  
CLEAR CHROMATE

DRN BY

BOONE

DATE

7.20.05

APP'D

RH

SCALE

1.5X

10.18.06 CHANGE AS PER ECN 06-072

A

TOLERANCES INCH [MM]

DECIMAL  $\pm .015$  [ $\pm 0.38$ ]

CODE

DWG NO.

ANGULAR  $\pm 1^\circ$

C

UNLESS OTHERWISE SPECIFIED

**8166**

DATE

DESCRIPTION

REV.