

63658-1 ✓ ACTIVE

MAG-MATE | MAG-MATE 300

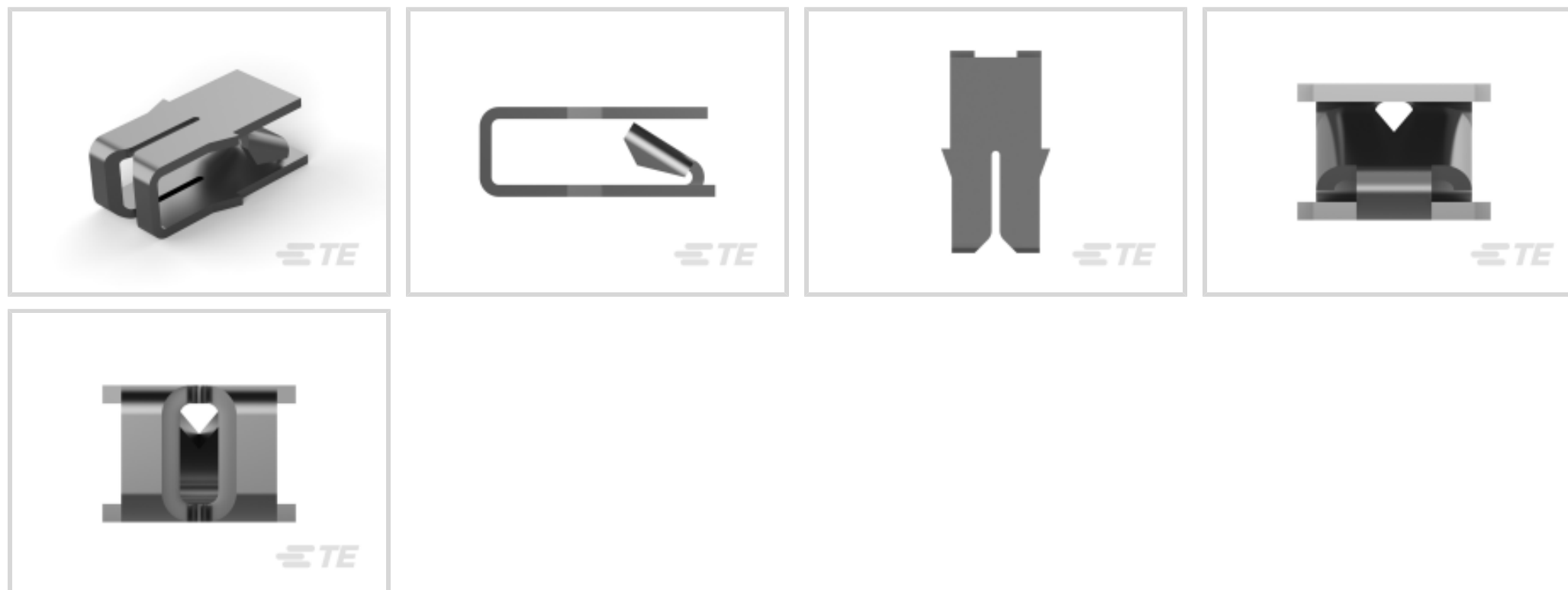
TE Internal #: 63658-1

Poke-In, Size 2, .57 – .72 mm Aluminum Wire, Lead Wire Size 20 – 18 AWG, Lead Wire Size .5 – .9 mm<sup>2</sup>, MAG-MATE 300, Magnet Wire Terminals

[View on TE.com >](#)



Terminals & Splices > Magnet Wire Terminals



Magnet Wire Terminal Type: **Poke-In**

Compatible With Cavity Size: **Size 2**

Aluminum Wire Size: **.57 – .72 mm**

Lead Wire Size: **.5 – .9 mm<sup>2</sup>**

## Features

### Product Type Features

Compatible With Discrete Wire Type	Magnet Wire, Solid
------------------------------------	--------------------

### Body Features

Compatible With Cavity Size	Size 2
-----------------------------	--------

### Contact Features

Magnet Wire Terminal Type	Poke-In
---------------------------	---------

Terminal Plating Material	Tin
---------------------------	-----

Terminal Orientation	Twisted
----------------------	---------

### Termination Features

Termination Method to Wire & Cable	Insulation Displacement (IDC)
------------------------------------	-------------------------------

### Mechanical Attachment

Mating Retention Type	Locking
-----------------------	---------

### Dimensions

Terminal Height	7.62 mm[.3 in]
-----------------	----------------

Aluminum Wire Size	.57 – .72 mm
--------------------	--------------



Lead Wire Size	.5 – .9 mm <sup>2</sup>
Magnet Wire Size	.45 – .64 mm
Stock Thickness (Magnet Wire Side)	.41 mm[.016 in]
Product Length	7.87 mm[.31 in]

### Usage Conditions

Insulation Option	Uninsulated
Operating Temperature Range	-65 – 150 °C[-85 – 302 °F]

### Operation/Application

Compatible With Wire Base Material	Aluminum, Copper
------------------------------------	------------------

### Identification Marking

Identification Number	12
-----------------------	----

### Packaging Features

Packaging Quantity	12000
Packaging Method	Reel, Reel/Carton

### Product Compliance

[For compliance documentation, visit the product page on TE.com>](#)

EU RoHS Directive 2011/65/EU	Compliant
EU ELV Directive 2000/53/EC	Compliant
China RoHS 2 Directive MIIT Order No 32, 2016	No Restricted Materials Above Threshold
EU REACH Regulation (EC) No. 1907/2006	Current ECHA Candidate List: JUNE 2024 (241) Candidate List Declared Against: JUNE 2024 (241) Does not contain REACH SVHC
Halogen Content	Low Halogen - Br, Cl, F, I < 900 ppm per homogenous material. Also BFR/CFR/PVC Free
Solder Process Capability	Not applicable for solder process capability

#### Product Compliance Disclaimer

This information is provided based on reasonable inquiry of our suppliers and represents our current actual knowledge based on the information they provided. This information is subject to change. The part numbers that TE has identified as EU RoHS compliant have a maximum concentration of 0.1% by weight in homogenous materials for lead, hexavalent chromium, mercury, PBB, PBDE, DBP, BBP, DEHP, DIBP, and 0.01% for cadmium, or qualify for an exemption to these limits as defined in the Annexes of Directive 2011/65/EU (RoHS2). Finished electrical and electronic equipment products will be CE marked as required by Directive 2011/65/EU. Components may not be CE marked. Additionally, the part numbers that TE has identified as EU ELV compliant have a maximum concentration of 0.1% by weight in homogenous materials for lead, hexavalent chromium, and mercury, and 0.01% for cadmium, or qualify for an exemption to these limits

as defined in the Annexes of Directive 2000/53/EC (ELV). Regarding the REACH Regulation, the information TE provides on SVHC in articles for this part number is based on the latest European Chemicals Agency (ECHA) 'Guidance on requirements for substances in articles' posted at this URL: <https://echa.europa.eu/guidance-documents/guidance-on-reach>

## Compatible Parts

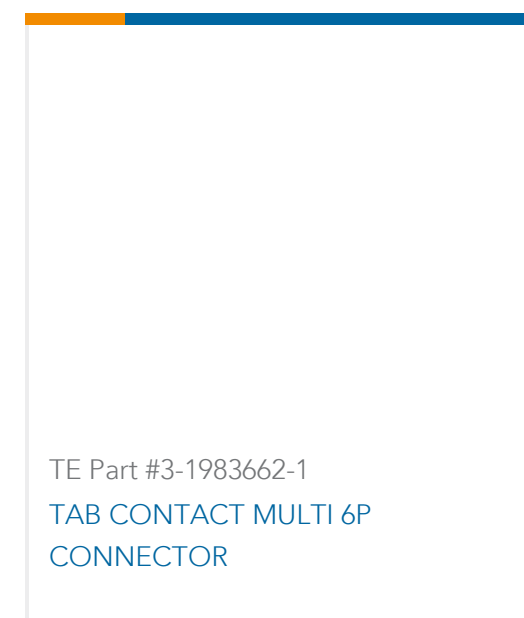
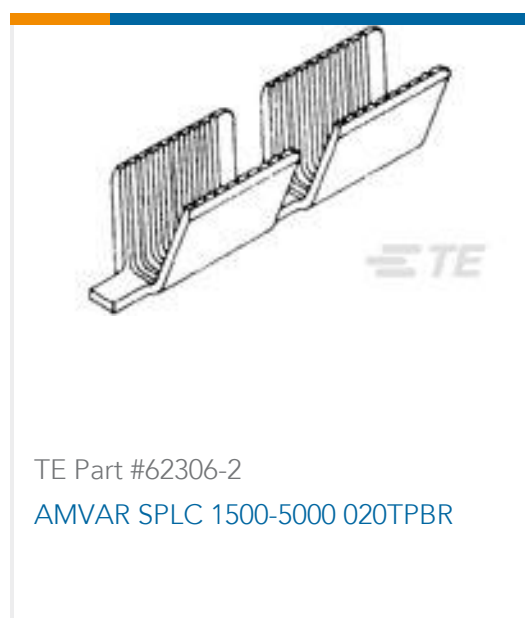
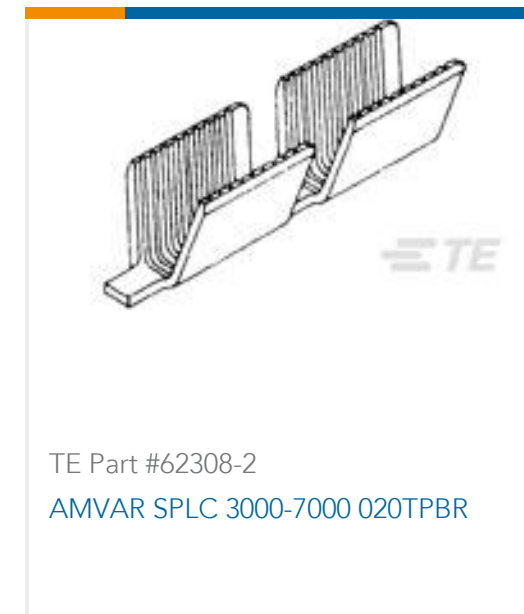
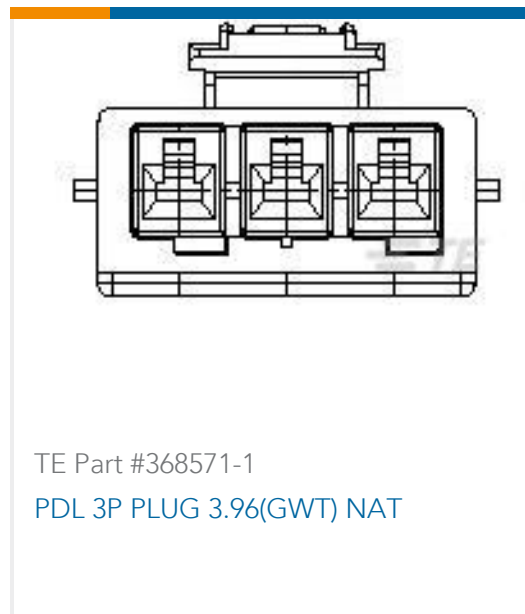
 <p>TE Part # 1217234-1 MAG-MATE TERM 28-31 013TPBR</p>	 <p>TE Part # 63632-1 MAG-MATE TRI SLOT 016TPBR</p>	 <p>TE Part # 62833-1 MAG-MATE POKE-IN TERM 016TPBR</p>	 <p>TE Part # 63591-1 MAG-MATE TERM #20 016TPBR</p>
 <p>TE Part # 1217082-1 TERM MAG-MATE 25-22 016 TPPHBZ</p>	 <p>TE Part # 63662-1 MAG-MATE TERM 33-34 010TPBR</p>	 <p>TE Part # 63861-1 TERM, MAG-MATE 27-24 016TPPHBZ</p>	 <p>TE Part # 1217973-2 TERM,SPLICE,MAG-MATE</p>
 <p>TE Part # 62833-2 MAG-MATE POKE-IN TERM 016TPBR</p>	 <p>TE Part # 62833-4 TERMINAL,POKE-IN,MAG-MATE</p>	 <p>TE Part # 62912-1 MAG-MATE POKE-IN 016 TPBR</p>	 <p>TE Part # 63658-2 MAG-MATE TERM 25-22 016 TPBR</p>
 <p>TE Part # 63658-7 MAG-MATE TERM 25-22 016 TPBR</p>	 <p>TE Part # 63789-1 TERMINAL MAG-MATE POKE-IN TPBR</p>	 <p>TE Part # 63044-1 MAG-MATE TERM 27-23 016 TPBR</p>	 <p>TE Part # 1217209-1 TERM SPL TRISLOT 300 MTA MAG</p>



## Also in the Series | MAG-MATE 300



## Customers Also Bought



## Documents

### Product Drawings

MAG MATE TERM 25-22 016TPBR

English

### CAD Files

3D PDF

3D



**Customer View Model**

[ENG\\_CVM\\_CVM\\_63658-1\\_Z.2d\\_dxf.zip](#)

English

**Customer View Model**

[ENG\\_CVM\\_CVM\\_63658-1\\_Z.3d\\_igs.zip](#)

English

**Customer View Model**

[ENG\\_CVM\\_CVM\\_63658-1\\_Z.3d\\_stp.zip](#)

English

By downloading the CAD file I accept and agree to the [Terms and Conditions](#) of use.

---

**Datasheets & Catalog Pages**

[Magnet Wire Terminals & Splices](#)

English

---

**Product Specifications**

[Application Specification](#)

English