

66098-9 ✓ ACTIVE

AMP | AMP Type III+

TE Internal #: 66098-9

Pin Contact, Precious Metal, Size 16 Contact Size, 18 – 16 AWG

Wire Size, .8 – 1.4 mm² Wire Size, Crimp, Brass, Power & Signal,

AMP Type III+

[View on TE.com >](#)



Connectors > Contacts > Connector Contacts > Strip Pin and Socket Contacts, Type III



Contact Type: **Pin**

Contact Mating Area Plating Material: **Precious Metal**

Wire Contact Termination Area Plating Material: **Tin**

Contact Retention Within Housing: **With**

Contact Size: **Size 16**

[All Strip Pin and Socket Contacts, Type III \(55\)](#)

Features

Contact Features

Mating Pin Diameter	1.57 mm[.062 in]
Contact Underplating Material Thickness	1.27 µm[50 µin]
Wire Contact Termination Area Plating Thickness	1.27 µm[50 µin]
Wire Contact Termination Area Plating Material Finish	Bright
Contact Mating Area Plating Material Thickness	.76 µm[30 µin]
Contact Orientation	Straight
Contact Underplating Material	Nickel
Contact Type	Pin
Contact Mating Area Plating Material	Precious Metal
Wire Contact Termination Area Plating Material	Tin
Contact Retention Within Housing	With
Contact Size	Size 16
Contact Base Material	Brass



Contact Current Rating (Max)	13 A
------------------------------	------

Termination Features

Termination Method to Wire & Cable	Crimp
Product Terminates To	Wire & Cable

Mechanical Attachment

Wire Insulation Support	With
-------------------------	------

Dimensions

Compatible Insulation Diameter Range	2.03 – 2.54 mm [.08 – .1 in]
Wire Size	.8 – 1.4 mm ²

Usage Conditions

Operating Temperature Range	-55 – 150 °C [-67 – 302 °F]
-----------------------------	-----------------------------

Operation/Application

Circuit Application	Power & Signal
---------------------	----------------

Packaging Features

Packaging Quantity	4000
Packaging Method	Reel

Product Compliance

[For compliance documentation, visit the product page on TE.com>](#)

EU RoHS Directive 2011/65/EU	Compliant
EU ELV Directive 2000/53/EC	Compliant
China RoHS 2 Directive MIIT Order No 32, 2016	No Restricted Materials Above Threshold
EU REACH Regulation (EC) No. 1907/2006	Current ECHA Candidate List: JUNE 2024 (241) Candidate List Declared Against: JUNE 2024 (241) Does not contain REACH SVHC
Halogen Content	Not Low Halogen - contains Br or Cl > 900 ppm.
Solder Process Capability	Not applicable for solder process capability

Product Compliance Disclaimer

This information is provided based on reasonable inquiry of our suppliers and represents our current actual knowledge based on the information they provided. This information is subject to change. The part numbers that TE has identified as EU RoHS compliant have a maximum concentration of 0.1% by weight in homogenous materials for lead, hexavalent chromium, mercury, PBB, PBDE, DBP, BBP, DEHP, DIBP, and 0.01% for cadmium, or qualify for an exemption to these

limits as defined in the Annexes of Directive 2011/65/EU (RoHS2). Finished electrical and electronic equipment products will be CE marked as required by Directive 2011/65/EU. Components may not be CE marked. Additionally, the part numbers that TE has identified as EU ELV compliant have a maximum concentration of 0.1% by weight in homogenous materials for lead, hexavalent chromium, and mercury, and 0.01% for cadmium, or qualify for an exemption to these limits as defined in the Annexes of Directive 2000/53/EC (ELV). Regarding the REACH Regulation, the information TE provides on SVHC in articles for this part number is based on the latest European Chemicals Agency (ECHA) 'Guidance on requirements for substances in articles' posted at this URL: <https://echa.europa.eu/guidance-documents/guidance-on-reach>

Compatible Parts



TE Part # CAT-AM71-C83998C
Circular Plastic Connector, CMC Series 1



TE Part # CAT-AM71-C83998Y
One-Piece Connector, Sealed, CPC Series 1



TE Part # CAT-AM71-C83998J
Cable/Panel Mount Connector, CPC Series 1



TE Part # CAT-AM71-C83998K
Circular Connector, Environmentally Sealed, CPC Series 6



TE Part # 58495-2
PROCRIMPER DIE ASSY MULTIMATE



TE Part # 91505-1
CCII TYPE III+ 24-16 ASSY



TE Part # 200893-2
INSERTION TOOL CONT



TE Part # 58495-1
PRO CRIMPER ASSY MULTIMATE



TE Part # 539972-1
EXTRACTION TOOL



TE Part # 305183
EXTRACT TOOL TYPE 2 20-16



TE Part # 207020-1
METRIMATE RCPT 36 POS



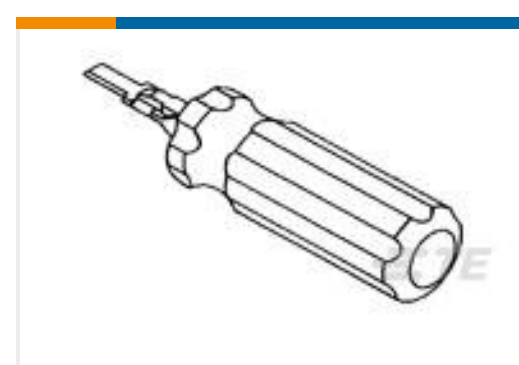
TE Part # 207016-1
4 POS SQ GRID METRIMATE RCPT



TE Part # 213974-1
METRIMATE 30P RCPT HOUSING



TE Part # 2151023-1
OCEAN_2.0_Applicator-S-080F1200-RSM



TE Part # 1-305183-1
EXTRACT TOOL MATE-N-LOK P



TE Part # 2151023-2
OCEAN_2.0_Applicator-S-080F1200-RSA



TE Part # 2305570-1
Strip Terminal Cutter-Side Feed-No Crimp



TE Part # 5-2151023-1
OCEAN_2.0_Applicator-S-080F1200-RSM




TE Part # 5-2151023-2
OCEAN_2.0_Applicator-S-080F1200-RSA




TE Part # 7-2151023-7
OCEAN_2.0_SPARE_PART_KIT-080F1200

Also in the Series | AMP Type III+

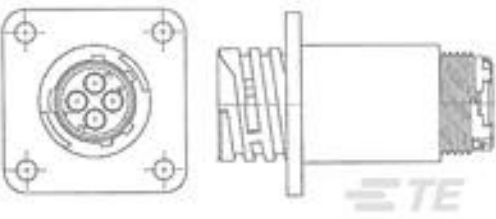


Connector Contacts(409)



Insertion & Extraction Tools(4)

Customers Also Bought



TE Part #796286-1
RCPT.ASSY,23-37STD SEX SQ.FLNG



TE Part #66104-9
Strip Pin and Socket Contacts, Type III



TE Part #3-647000-8
08P MTA100 PSTD CONN ASSY LF



TE Part #726346
SO RINGTONG 6-35



TE Part #3-2176510-0
CJP 500W 390R 5% Lead



TE Part #CH02064001
VERSAFLEX-1-1/4-0-SP



TE Part #4525DO-TP3AJ030APF
PRESS XDCR,DIGITAL,PSI RANGE



TE Part #3897833002
44A0221-22-0/9



TE Part #6565204-3
TC-ZIF REC ASSY 260P



Documents

Product Drawings

[III+ PIN,18-16,30AU/FL,STRIP](#)

English

CAD Files

Customer View Model

[ENG_CVM_66098-9_AE.3d_igs.zip](#)

English

Customer View Model

[ENG_CVM_66098-9_AE.3d_stp.zip](#)

English

Customer View Model

[ENG_CVM_66098-9_AE.2d_dxf.zip](#)

English

[3D PDF](#)

English

[3D PDF](#)

3D

Customer View Model

[ENG_CVM_CVM_66098-9_AP.2d_dxf.zip](#)

English

Customer View Model

[ENG_CVM_CVM_66098-9_AP.3d_igs.zip](#)

English

Customer View Model

[ENG_CVM_CVM_66098-9_AP.3d_stp.zip](#)

English

By downloading the CAD file I accept and agree to the [Terms and Conditions](#) of use.

Datasheets & Catalog Pages

[AMP Circular Connectors for Commercial Signal & Power Applications](#)

English

[Signal Contacts](#)

English

[M_SERIES_PIN_AND_SOCKET_CONNECTORS](#)

English

Product Specifications

[Application Specification](#)

English

Instruction Sheets

[Instruction Sheet \(U.S.\)](#)

Japanese



[Instruction Sheet \(U.S.\)](#)

English