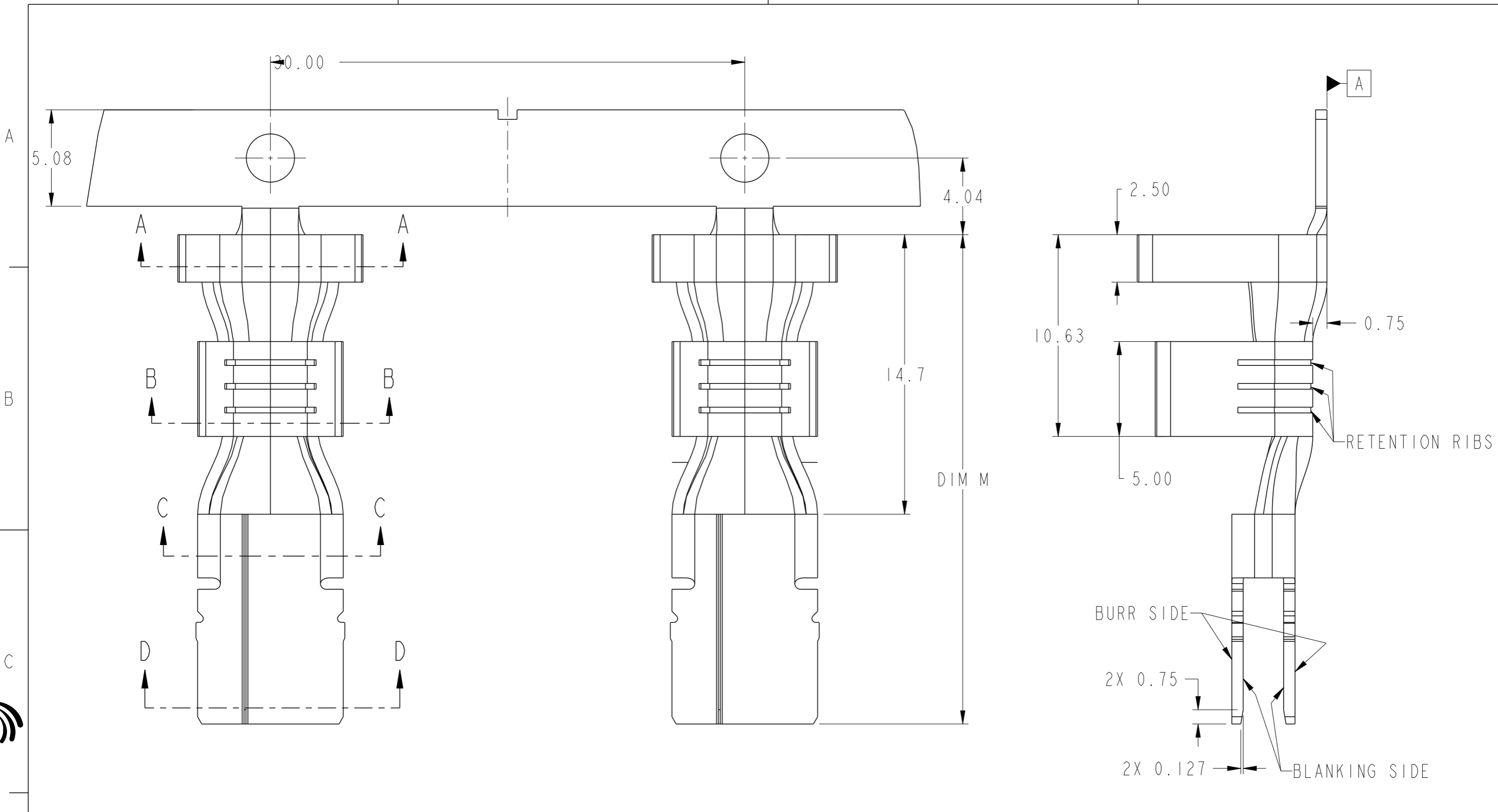


1

2

3

4

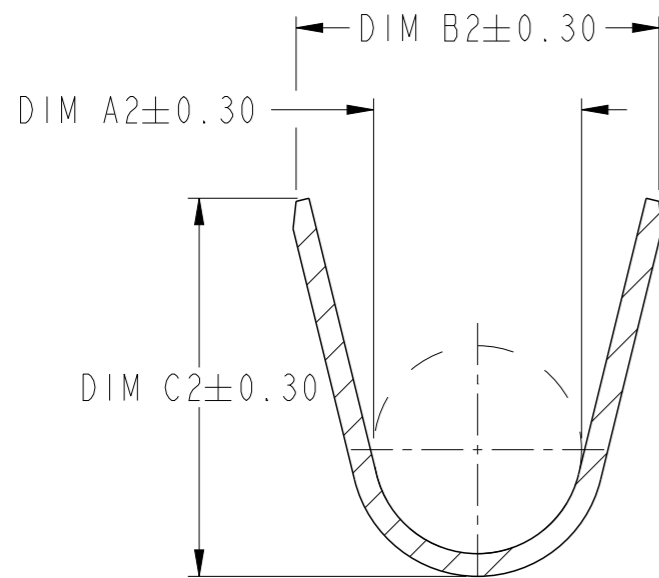


FORMED LAYOUT
DIE DIRECTION →

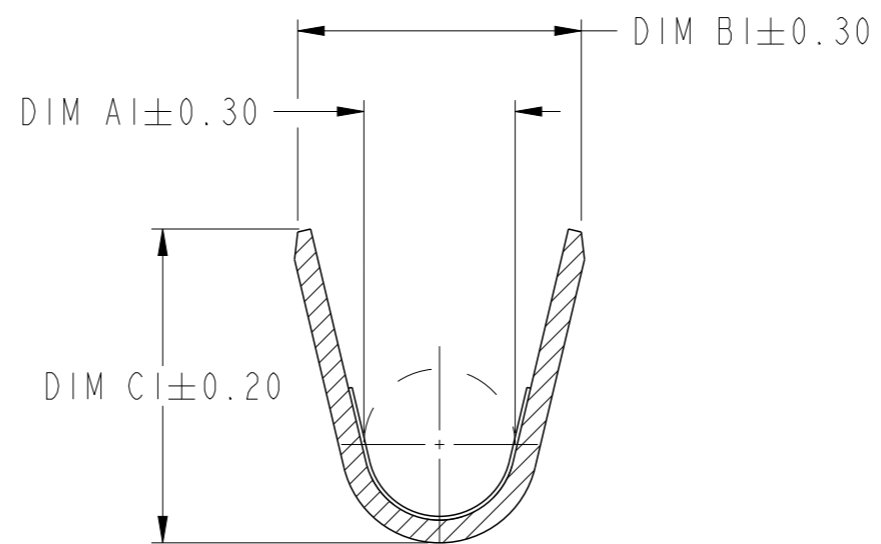


Copyright FCI.

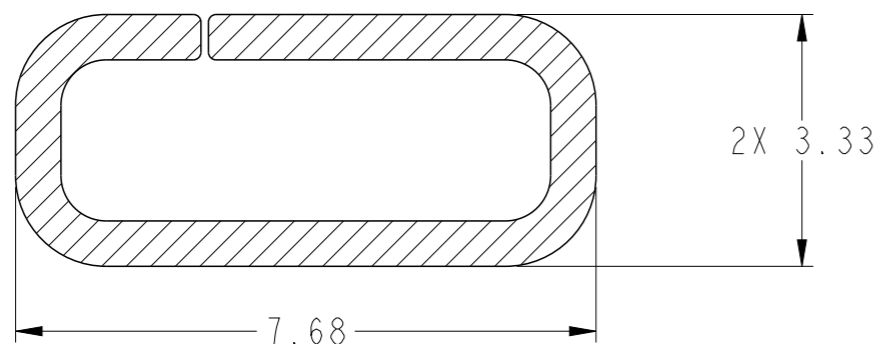
spec ref -		dr Rainbow Zhan	2015/06/09	projection	mm	size A3	scale 5:1	
tolerance std ISO 406 ISO 1101		TOLERANCES UNLESS OTHERWISE SPECIFIED				ecn no -		
surface ✓		eng Rainbow Zhan	2015/12/29			product family PwrBlade ULTRA		rel level Released
ISO 1302	linear	0.X	±0.3		CABLE POWER CONTACT		dwg no 10135689	rev A
		0.XX	±0.25					
		0.XXX	±0.15					
	angular	0°	±10°	www.fci.com	cat. no. -	Product - Customer Drw		sheet 1 of 4



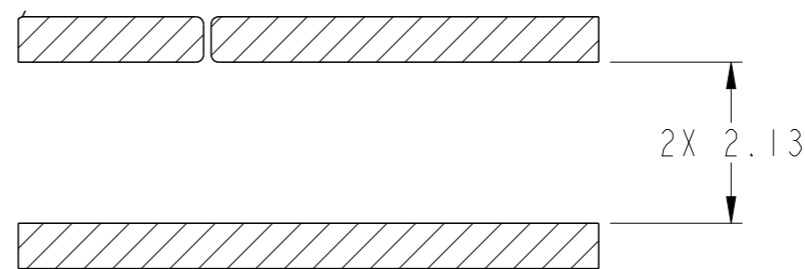
SECTION A-A



SECTION B-B



SECTION C-C
SCALE 10:1



SECTION D-D
SCALE 10:1

spec ref -		dr Rainbow Zhan	2015/06/09	projection	mm	size A3	scale 5:1
tolerance std ISO 406 ISO 1101		TOLERANCES UNLESS OTHERWISE SPECIFIED				ecn no -	
		eng Rainbow Zhan	2015/12/29			rel level Released	
surface -		chr -	-	product family PwrBlade ULTRA		dwg no 10135689	
ISO 1302		appr Pei-Ming Zheng	2015/12/29	CABLE POWER CONTACT RECEPTACLE, PwrBlade +		rev A	
linear	0.X ±0.3	www.fci.com		cat. no. -		Product - Customer Drw	
	0.XX ±0.25					sheet 2 of 4	
	0.XXX ±0.15						
angular	0° ±10°						

1

2

3

4

A

B

C

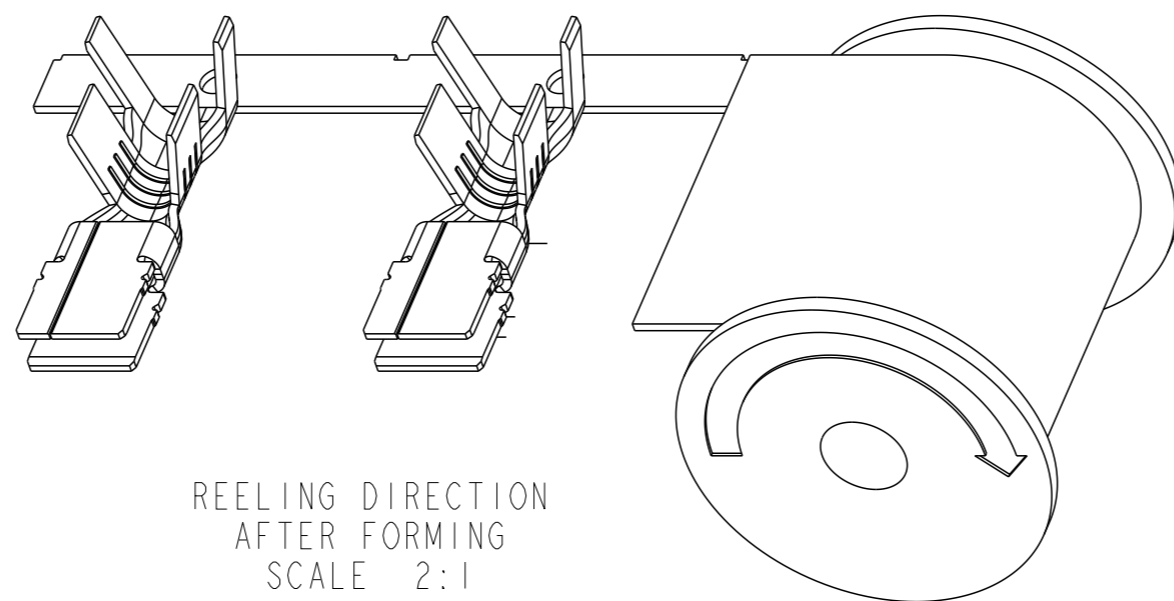
D

A

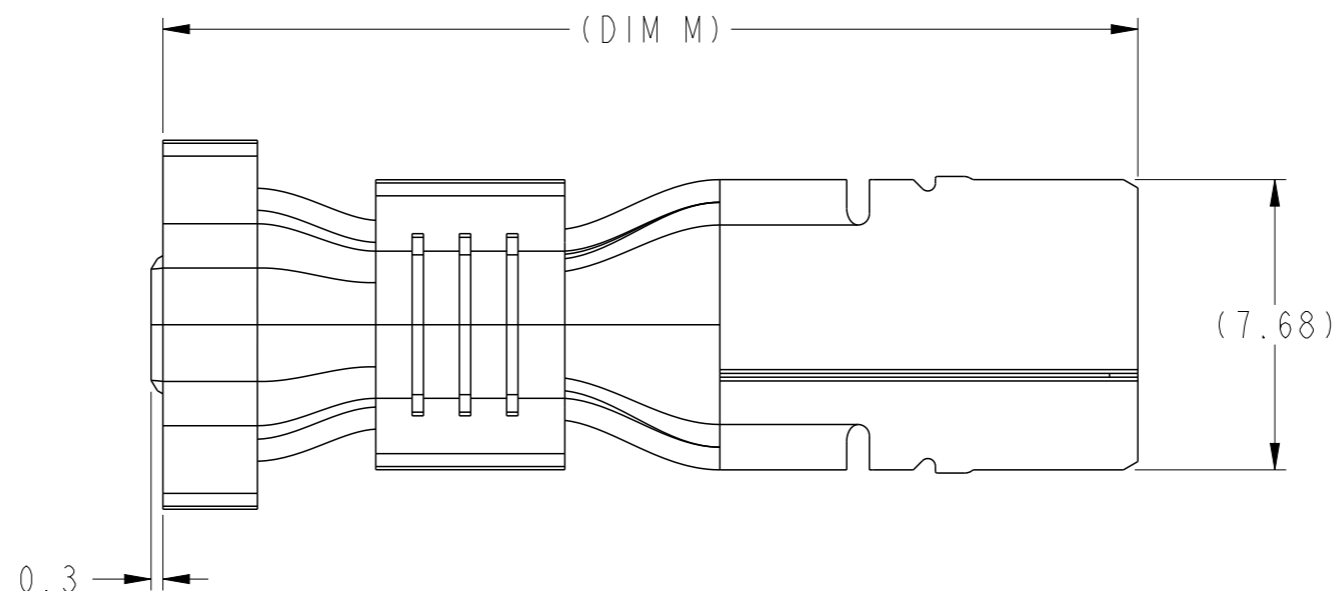
B

C

D



REELING DIRECTION
AFTER FORMING
SCALE 2:1



LOOSE PIECE
CONTACT

spec ref -		dr Rainbow Zhan	2015/06/09	projection	mm	size A3	scale 5:1
tolerance std ISO 406 ISO 1101		TOLERANCES UNLESS OTHERWISE SPECIFIED				ecn no -	
		eng Rainbow Zhan	2015/12/29			rel level Released	
		chr -	-	product family PwrBlade ULTRA			
		appr Pei-Ming Zheng	2015/12/29				
surface -	linear	0.X ±0.3		CABLE POWER CONTACT RECEPTACLE, PwrBlade +		dwg no 10135689	
		0.XX ±0.25				rev A	
		0.XXX ±0.15					
ISO 1302	angular	0° ±10°	www.fci.com	cat. no. -	Product - Customer Drw		sheet 3 of 4

2

3

PDS: Rev :A

STATUS:Released

Printed: Dec 31, 2015

PART NUMBER	DESCRIPTION	PLATING	DIM A1	DIM B1	DIM C1	DIM A2	DIM B2	DIM C2	DIM M
10135689-091102LF	FORMED 10-12AWG CONTACT	GXT	2.80	5.60	6.3	4.20	7.30	7.40	25.9
10135689-092102LF	FORMED 10-12AWG CONTACT	GXT							24.6
10135689-091082LF	FORMED 8AWG CONTACT	GXT	4.00	7.32	7.90	5.50	9.60	10.00	25.9
10135689-092082LF	FORMED 8AWG CONTACT	GXT							24.6
10135689-091062LF	FORMED 6AWG CONTACT	GXT	5.50	8.92	8.80	7.00	11.70	12.00	25.9
10135689-092062LF	FORMED 6AWG CONTACT	GXT							24.6

NOTES:

- MATERIAL:
COPPER ALLOY ,0.600 THICK.
- PLATING SPECIFICATION:
0.76 μ m[30 μ "] GXT(PdNi+Gold Flash) OVER 1.27 μ m[50 μ "]Ni ON CONTACT AREA
0.5-1.5 μ m[20 μ "-6020 μ "] MATTE TIN OVER 1.27 μ m[50 μ "]Ni ON CRIMPING AREA
- DIM A2 DENOTES MAXIMUM O.D. OF WIRE INSULATION PERMISSIBLE REFER UL1015.
- PRODUCT SPEC: GS-12-1267.
- APPLICATION SPEC: GS-20-0435.
- APPLICABLE HOUSING PN: 10129443-* ,10128858-* , 10128887-*.

spec ref	-	dr	Rainbow Zhan	2015/06/09	projection		mm	size	A3	scale	5:1	
tolerance std	ISO 406 ISO 1101	eng	Rainbow Zhan	2015/12/29	chr	-	←→	ecn no	-	rel level	Released	
surface	✓	appr	Pei-Ming Zheng	2015/12/29	product family	PwrBlade ULTRA		rel level	Released			
ISO 1302	linear	0.X	±0.3		CABLE POWER CONTACT			dwg no	10135689		rev	A
		0.XX	±0.25		RECEPTACLE, PwrBlade +							
	angular	0°	±10°		www.fci.com	cat. no.	-	Product - Customer Drw	sheet 4 of 4			



Copyright FCI.