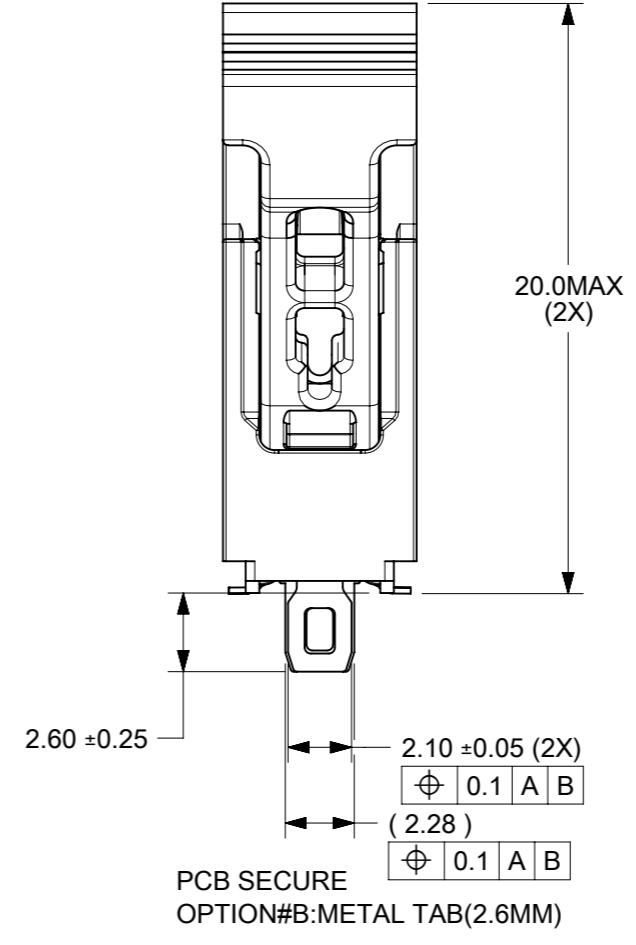
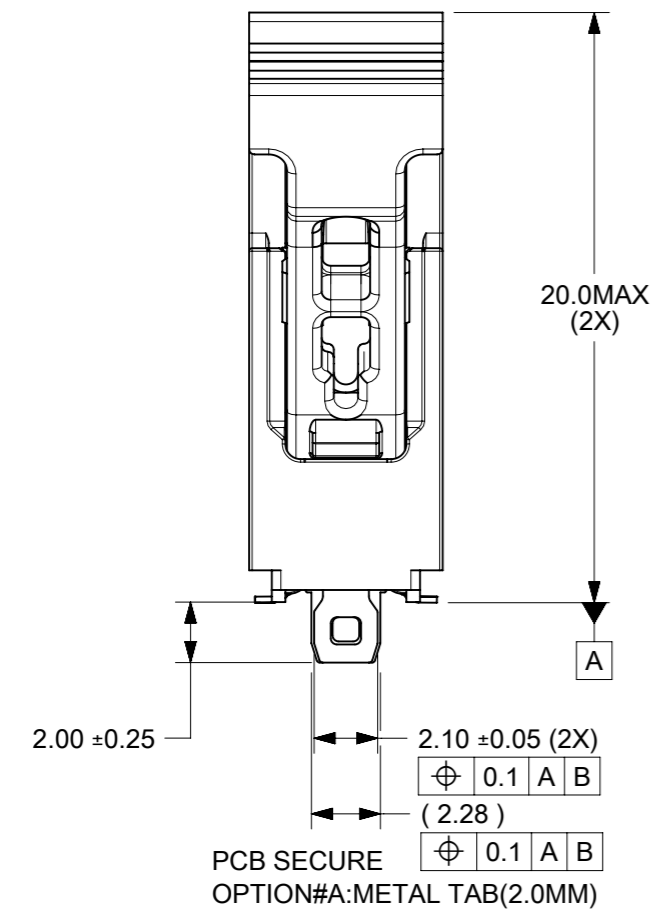
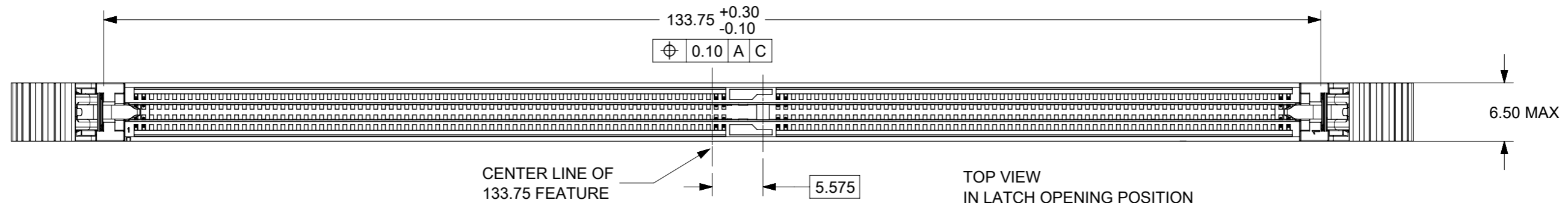


NOTES:

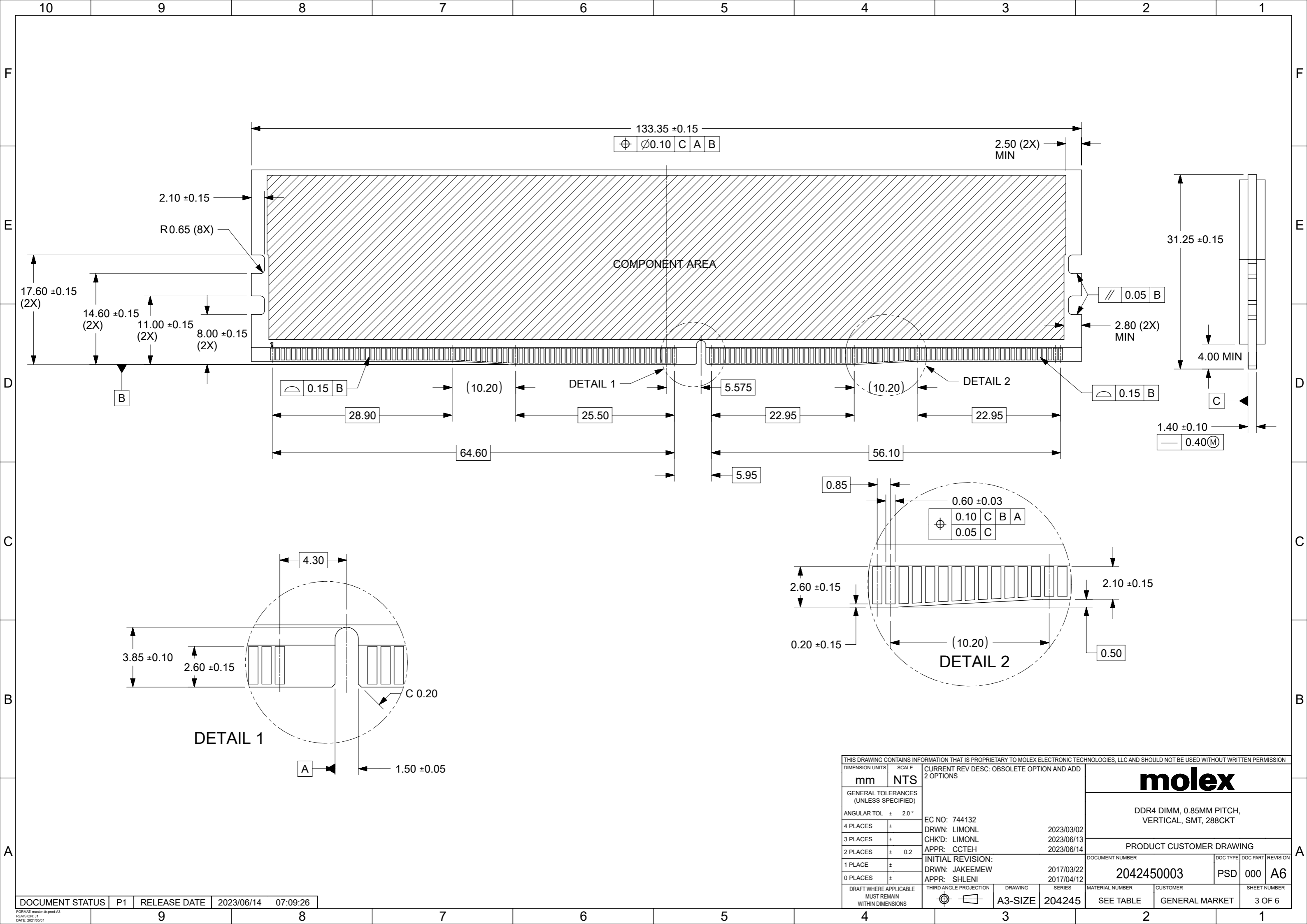
1. MATERIAL : HOUSING - POLYAMIDE (PA), GLASS FILLED, UL 94 V-0.
COLOUR : SEE TABLE ON SHEET 6/7.
LATCH - POLYAMIDE (PA), GLASS FILLED, UL 94 V-0.
COLOUR : SEE TABLE ON SHEET 6/7.
TERMINAL: COPPER ALLOY.
2. FINISHES - SEE TABLE ON SHEET 5.
3. PRODUCT SPECIFICATION : SEE TABLE ON SHEET 5.
4. PACKAGING SPECIFICATION: PRODUCT SHALL BE PACKED IN TRAY, SEE SHEET 5.
5. CARD SLOT ACCEPTS 1.40±0.10MM MODULE THICKNESS (MEASURED OVER P.C. PADS).
6. MOLEX LOGO, DATE & PART NO. INDICATED ON HOUSING.
7. MODULE SEATING PLANE.
8. KEEP OUT ZONE RESERVED FOR LATCH.
9. KEEP OUT AREA IS THE AREA WHERE THE CONNECTOR (INCLUDES LATCHES IN OPENING POSITION) IS MOUNTED ON THE PCB.
10. KAPTON TAPE TO BE ADHERED AT THIS LOCATION

THIS DESIGN IS BASED ON DESIGN OBJECTIVES AND IS STRICTLY TENTATIVE. IT MAY CHANGE BASED ON RESULTS OF ADDITIONAL DESIGN REVIEWS AND VERIFICATIONS.

THIS DRAWING CONTAINS INFORMATION THAT IS PROPRIETARY TO MOLEX ELECTRONIC TECHNOLOGIES, LLC AND SHOULD NOT BE USED WITHOUT WRITTEN PERMISSION									
DIMENSION UNITS		SCALE		CURRENT REV DESC: OBSOLETE OPTION AND ADD 2 OPTIONS					
mm		NTS							
GENERAL TOLERANCES (UNLESS SPECIFIED)									
ANGULAR TOL ± 2.0°				EC NO: 744132					
4 PLACES ±				DRWN: LIMONL		2023/03/02		DDR4 DIMM, 0.85MM PITCH, VERTICAL, SMT, 288CKT	
3 PLACES ±				CHK'D: LIMONL		2023/06/13		PRODUCT CUSTOMER DRAWING	
2 PLACES ± 0.2				APPR: CTEH		2023/06/14		DOCUMENT NUMBER	
1 PLACE ±				INITIAL REVISION:				DOC TYPE	
0 PLACES ±				DRWN: JAKEEMEW		2017/03/22		DOC PART	
				APPR: SHLENI		2017/04/12		REVISION	
DRAFT WHERE APPLICABLE MUST REMAIN WITHIN DIMENSIONS				THIRD ANGLE PROJECTION		DRAWING		SERIES	
				A3-SIZE		204245		MATERIAL NUMBER	
				SEE TABLE		GENERAL MARKET		CUSTOMER	
								SHEET NUMBER	
								1 OF 6	



THIS DRAWING CONTAINS INFORMATION THAT IS PROPRIETARY TO MOLEX ELECTRONIC TECHNOLOGIES, LLC AND SHOULD NOT BE USED WITHOUT WRITTEN PERMISSION										
DIMENSION UNITS	SCALE	CURRENT REV DESC: OBSOLETE OPTION AND ADD 2 OPTIONS								
mm	NTS									
GENERAL TOLERANCES (UNLESS SPECIFIED)										
ANGULAR TOL	± 2.0 °	EC NO: 744132 DRWN: LIMONL 2023/03/02 CHK'D: LIMONL 2023/06/13 APPR: CTEH 2023/06/14								
4 PLACES	±	INITIAL REVISION:								
3 PLACES	±	DRWN: JAKEEMEW 2017/03/22 APPR: SHLENI 2017/04/12								
2 PLACES	± 0.2	DOCUMENT NUMBER				DOC TYPE		DOC PART		REVISION
1 PLACE	±	2042450003				PSD		000		A6
0 PLACES	±	DRAFT WHERE APPLICABLE MUST REMAIN WITHIN DIMENSIONS		THIRD ANGLE PROJECTION	DRAWING	SERIES	MATERIAL NUMBER	CUSTOMER		SHEET NUMBER
					A3-SIZE	204245	SEE TABLE	GENERAL MARKET		2 OF 6



10 9 8 7 6 5 4 3 2 1

F F

E E

D D

C C

B B

A A

DOCUMENT STATUS P1 RELEASE DATE 2023/06/14 07:09:26

9 8 7 6 5 4 3 2 1

133.35 ±0.15
 \varnothing 0.10 C A B

2.50 (2X)
 MIN

2.10 ±0.15

R0.65 (8X)

17.60 ±0.15
 (2X)

14.60 ±0.15
 (2X)

11.00 ±0.15
 (2X)

8.00 ±0.15
 (2X)

B

0.15 B

(10.20)

DETAIL 1

5.575

(10.20)

DETAIL 2

0.15 B

0.05 B

2.80 (2X)
 MIN

31.25 ±0.15

4.00 MIN

C

1.40 ±0.10
 0.40(M)

28.90

25.50

22.95

22.95

64.60

56.10

5.95

0.85

0.60 ±0.03
 \varnothing 0.10 C B A
 0.05 C

2.60 ±0.15

2.10 ±0.15

0.20 ±0.15

(10.20)
 DETAIL 2

0.50

4.30

3.85 ±0.10

2.60 ±0.15

C 0.20

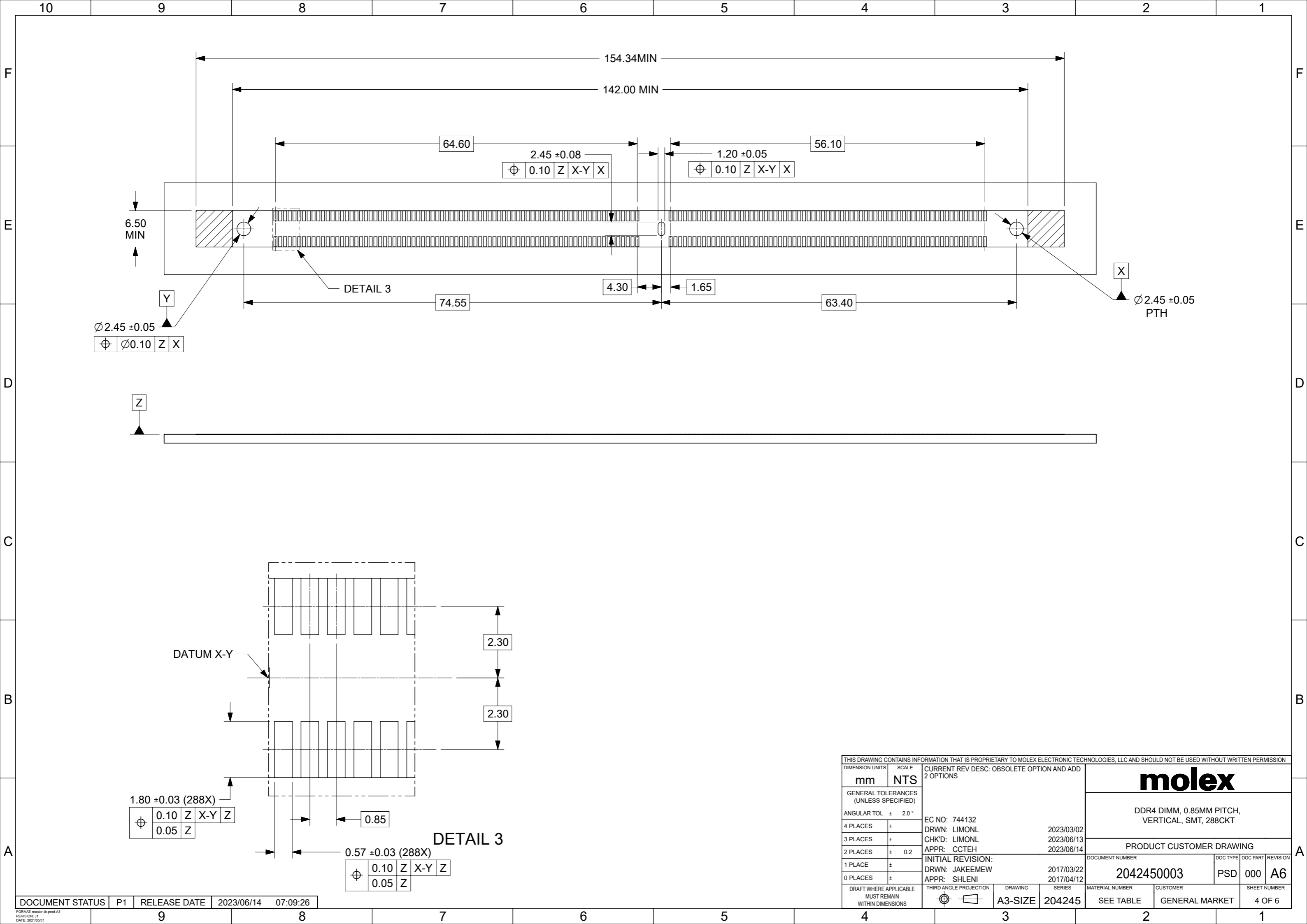
DETAIL 1

A

1.50 ±0.05

THIS DRAWING CONTAINS INFORMATION THAT IS PROPRIETARY TO MOLEX ELECTRONIC TECHNOLOGIES, LLC AND SHOULD NOT BE USED WITHOUT WRITTEN PERMISSION										
DIMENSION UNITS	SCALE	CURRENT REV DESC: OBSOLETE OPTION AND ADD 2 OPTIONS								
mm	NTS									
GENERAL TOLERANCES (UNLESS SPECIFIED)										
ANGULAR TOL	± 2.0 °	EC NO: 744132 DRWN: LIMONL 2023/03/02 3 PLACES ± CHK'D: LIMONL 2023/06/13 2 PLACES ± 0.2 APPR: CTEH 2023/06/14 INITIAL REVISION: DRWN: JAKEEMEW 2017/03/22 0 PLACES ± APPR: SHLENI 2017/04/12								
DRAFT WHERE APPLICABLE MUST REMAIN WITHIN DIMENSIONS		THIRD ANGLE PROJECTION	DRAWING	SERIES	MATERIAL NUMBER	CUSTOMER	DOCUMENT NUMBER	DOC TYPE	DOC PART	REVISION
			A3-SIZE	204245	SEE TABLE	GENERAL MARKET	2042450003	PSD	000	A6

FORMAT: master-b-prod-A3
 REVISION: 11
 DATE: 2021/05/01



THIS DRAWING CONTAINS INFORMATION THAT IS PROPRIETARY TO MOLEX ELECTRONIC TECHNOLOGIES, LLC AND SHOULD NOT BE USED WITHOUT WRITTEN PERMISSION										
DIMENSION UNITS	SCALE	CURRENT REV DESC: OBSOLETE OPTION AND ADD 2 OPTIONS								
mm	NTS									
GENERAL TOLERANCES (UNLESS SPECIFIED)										
ANGULAR TOL	± 2.0 °	DDR4 DIMM, 0.85MM PITCH, VERTICAL, SMT, 288CKT								
4 PLACES	±	PRODUCT CUSTOMER DRAWING								
3 PLACES	±	EC NO: 744132	2023/03/02	DOCUMENT NUMBER: 2042450003 DOC TYPE: PSD DOC PART: 000 REVISION: A6						
2 PLACES	± 0.2	DRWN: LIMONL	2023/06/13							
1 PLACE	±	CHK'D: LIMONL	2017/03/22	MATERIAL NUMBER: SEE TABLE CUSTOMER: GENERAL MARKET SHEET NUMBER: 4 OF 6						
0 PLACES	±	APPR: CTEH	2023/06/14							
DRAFT WHERE APPLICABLE MUST REMAIN WITHIN DIMENSIONS		THIRD ANGLE PROJECTION	DRAWING	SERIES	MATERIAL NUMBER					CUSTOMER
			A3-SIZE	204245	SEE TABLE					GENERAL MARKET

DOCUMENT STATUS	P1	RELEASE DATE	2023/06/14	07:09:26
-----------------	----	--------------	------------	----------

ASSEMBLY PART NUMBER	HOUSING COLOUR	LATCH COLOUR	CIRCUIT SIZE	KAPTON TAPE	PCB SECURE FEATURES			PLATING OPTION	PRODUCT SPECIFICATION	PACKAGING SPECIFICATION
					LEFT	CENTER	RIGHT			
204245-1003	BLACK	BLACK	288	YES	OPTION#A: METAL TAB (2.00MM)	OPTION#A: METAL TAB (2.00MM)	OPTION#A: METAL TAB (2.00MM)	0.38 MICROMETER (15 MICROINCH) MINIMUM GOLD ON CONTACT 2.54 MICROMETER (100 MICROINCH) MINIMUM TIN ON SOLDER TAILS 1.27 MICROMETER (50 MICROINCH) MINIMUM NICKEL UNDERPLATE	2042450003	PK-78839-001
204245-1006	NATURAL (OFF-WHITE)	NATURAL (OFF-WHITE)		NO						
204245-1013	BLACK	BLACK		YES	OPTION#B: METAL TAB (2.60MM)	OPTION#B: METAL TAB (2.60MM)	OPTION#B: METAL TAB (2.60MM)			
204245-1030		NATURAL (OFF-WHITE)			NO	OPTION#A: METAL TAB (2.00MM)	OPTION#A: METAL TAB (2.00MM)			
204245-1403		BLACK		2042450002						
204245-1813		NATURAL (OFF-WHITE)								
204245-1830										

THIS DRAWING CONTAINS INFORMATION THAT IS PROPRIETARY TO MOLEX ELECTRONIC TECHNOLOGIES, LLC AND SHOULD NOT BE USED WITHOUT WRITTEN PERMISSION

DIMENSION UNITS mm	SCALE NTS	CURRENT REV DESC: OBSOLETE OPTION AND ADD 2 OPTIONS	molex		
GENERAL TOLERANCES (UNLESS SPECIFIED)					
ANGULAR TOL ± 2.0°			PRODUCT CUSTOMER DRAWING		
4 PLACES ±		EC NO: 744132	DOCUMENT NUMBER		
3 PLACES ±		DRWN: LIMONL 2023/03/02	2042450003		
2 PLACES ± 0.2		CHK'D: LIMONL 2023/06/13	DOC TYPE	DOC PART	REVISION
1 PLACE ±		APPR: CTEH 2023/06/14	PSD	000	A6
0 PLACES ±		INITIAL REVISION: DRWN: JAKEEMEW 2017/03/22 APPR: SHLENI 2017/04/12	SHEET NUMBER		
DRAFT WHERE APPLICABLE MUST REMAIN WITHIN DIMENSIONS	THIRD ANGLE PROJECTION	DRAWING	SERIES	MATERIAL NUMBER	CUSTOMER
		A3-SIZE	204245	SEE TABLE	GENERAL MARKET
					5 OF 6

ASSEMBLY PART NUMBER	HOUSING COLOUR	LATCH COLOUR	CIRCUIT SIZE	KAPTON TAPE	PCB SECURE FEATURES			PLATING OPTION	PRODUCT SPECIFICATION	PACKAGING SPECIFICATION
					LEFT	CENTER	RIGHT			
204245-0212	BLACK	BLACK	288	NO	OPTION#A: METAL TAB (2.00MM)	OPTION#A: METAL TAB (2.00MM)	OPTION#A: METAL TAB (2.00MM)	0.76 MICROMETER (30 MICROINCH) MINIMUM GOLD ON CONTACT 2.54 MICROMETER (100 MICROINCH) MINIMUM TIN ON SOLDER TAILS 1.27 MICROMETER (50 MICROINCH) MINIMUM NICKEL UNDERPLATE	2042450103	PK-78839-001
204245-0213		NATURAL (OFF-WHITE)								
204245-0312		BLACK								
204245-0313		NATURAL (OFF-WHITE)								
204245-0311	NATURAL (OFF-WHITE)	YES		OPTION#B: METAL TAB (2.60MM)	OPTION#B: METAL TAB (2.60MM)	OPTION#B: METAL TAB (2.60MM)				
204245-0412	BLACK									
204245-0431	BLACK									
204245-0433	NATURAL (OFF-WHITE)			OPTION#A: METAL TAB (2.00MM)	OPTION#A: METAL TAB (2.00MM)	OPTION#A: METAL TAB (2.00MM)				

<p>THIS DRAWING CONTAINS INFORMATION THAT IS PROPRIETARY TO MOLEX ELECTRONIC TECHNOLOGIES, LLC AND SHOULD NOT BE USED WITHOUT WRITTEN PERMISSION</p> <table border="1"> <tr> <td>DIMENSION UNITS</td> <td>SCALE</td> <td colspan="2">CURRENT REV DESC: OBSOLETE OPTION AND ADD 2 OPTIONS</td> </tr> <tr> <td>mm</td> <td>NTS</td> <td colspan="2"></td> </tr> <tr> <td colspan="4">GENERAL TOLERANCES (UNLESS SPECIFIED)</td> </tr> <tr> <td>ANGULAR TOL</td> <td>±</td> <td colspan="2">2.0 °</td> </tr> <tr> <td>4 PLACES</td> <td>±</td> <td colspan="2"></td> </tr> <tr> <td>3 PLACES</td> <td>±</td> <td colspan="2"></td> </tr> <tr> <td>2 PLACES</td> <td>±</td> <td colspan="2">0.2</td> </tr> <tr> <td>1 PLACE</td> <td>±</td> <td colspan="2"></td> </tr> <tr> <td>0 PLACES</td> <td>±</td> <td colspan="2"></td> </tr> <tr> <td colspan="2">DRAFT WHERE APPLICABLE MUST REMAIN WITHIN DIMENSIONS</td> <td>THIRD ANGLE PROJECTION</td> <td>DRAWING</td> </tr> <tr> <td colspan="2"></td> <td></td> <td>A3-SIZE</td> </tr> </table>										DIMENSION UNITS	SCALE	CURRENT REV DESC: OBSOLETE OPTION AND ADD 2 OPTIONS		mm	NTS			GENERAL TOLERANCES (UNLESS SPECIFIED)				ANGULAR TOL	±	2.0 °		4 PLACES	±			3 PLACES	±			2 PLACES	±	0.2		1 PLACE	±			0 PLACES	±			DRAFT WHERE APPLICABLE MUST REMAIN WITHIN DIMENSIONS		THIRD ANGLE PROJECTION	DRAWING				A3-SIZE
DIMENSION UNITS	SCALE	CURRENT REV DESC: OBSOLETE OPTION AND ADD 2 OPTIONS																																																			
mm	NTS																																																				
GENERAL TOLERANCES (UNLESS SPECIFIED)																																																					
ANGULAR TOL	±	2.0 °																																																			
4 PLACES	±																																																				
3 PLACES	±																																																				
2 PLACES	±	0.2																																																			
1 PLACE	±																																																				
0 PLACES	±																																																				
DRAFT WHERE APPLICABLE MUST REMAIN WITHIN DIMENSIONS		THIRD ANGLE PROJECTION	DRAWING																																																		
			A3-SIZE																																																		
EC NO: 744132		2023/03/02																																																			
DRWN: LIMONL		2023/06/13																																																			
CHK'D: LIMONL		2023/06/13																																																			
APPR: CTEH		2023/06/14																																																			
INITIAL REVISION:		DOCUMENT NUMBER																																																			
DRWN: JAKEEMEW		2042450003																																																			
APPR: SHLENI		2017/04/12																																																			
		DOC TYPE	DOC PART																																																		
		PSD	000																																																		
		REVISION																																																			
		A6																																																			
		MATERIAL NUMBER	CUSTOMER																																																		
		SEE TABLE	GENERAL MARKET																																																		
		SHEET NUMBER																																																			
		6 OF 6																																																			