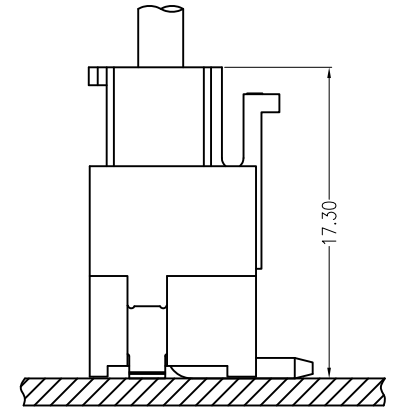
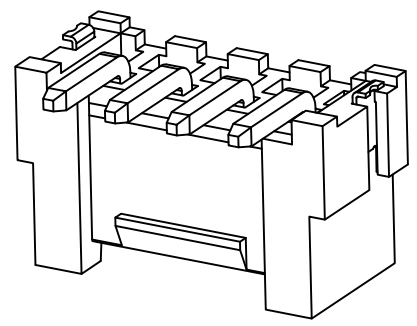
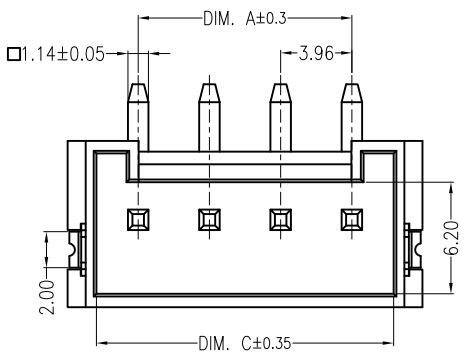
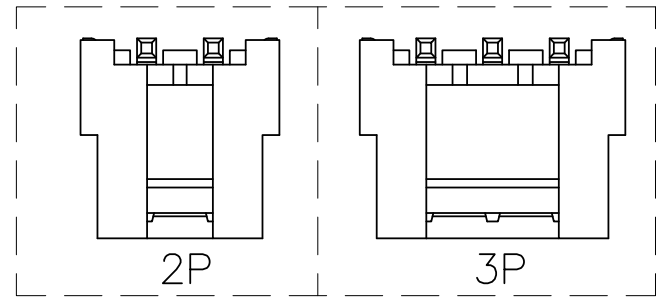
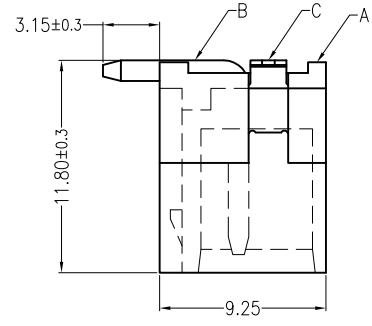
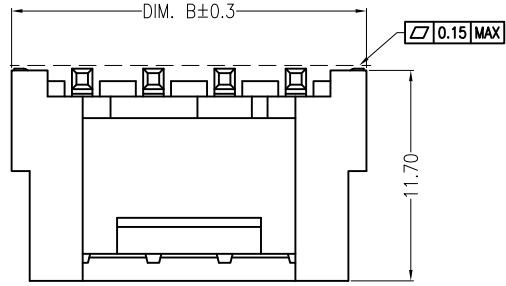
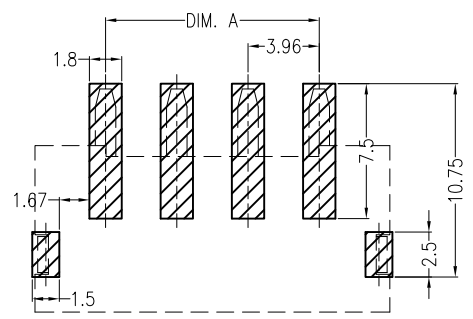


修订 REV	标记 MARK	修改摘要 REVISION DESCRIPTION	签名 SIGNATURE	日期 DATE
AO		NEW DWG	黄艳兰	2017-08-02



Circuits	Dimensions (mm)		
	DIM. A	DIM. B	DIM. C
02	3.96	11.88	8.60
03	7.92	15.84	12.56
04	11.88	19.80	16.52
05	15.84	23.76	20.48
06	19.80	27.72	24.44
07	23.76	31.68	28.40
08	27.72	35.64	32.36
09	31.68	39.60	36.32
10	35.64	43.56	40.28
11	39.60	47.52	44.24
12	43.56	51.48	48.20
13	47.52	55.44	52.16
14	51.48	59.40	56.12
15	55.44	63.36	60.08
16	59.40	67.32	64.04



Mating PCB detail

主要技术参数 Main Specifications

- 线数 (Poles): 02 to 16
- 接触电阻 (Contact resistance): $\leq 20m\Omega$
- 绝缘电阻 (Insulation resistance): $\geq 1000M\Omega$
- 额定电压 (Rated voltage): 250V AC DC
- 额定电流 (Rated current): 7.0A AC DC
- 耐电压 (Withstand Voltage): 1500V AC/minute
- 温度范围 (Temperature Range): $-25^{\circ}C \sim +105^{\circ}C$

C	SOLDER TAB	2 PCS	PhosphorBronze	Sn-plated
B	CONTACT	2~16 PCS	Brass	Sn-plated
A	PEDESTAL	1 PCS	PA9T	UL 94V-0, COLOR:BEIGE
ITEM	COMPONENT	Q'TY	MATERIAL	FINISH



深圳市华德共创科技有限公司

Shenzhen Huade co-create Technology Co.,LTD
电话: 0755-27129737 传真: 0755-29940187

-TOLERANCES- UNLESS OTHERWISE SPECIFIED 公差参数表			TITLE: 产品名称: VH3.96立贴			
X.X	± 0.30	X.X°	$\pm 3^{\circ}$	APPD: 核准: 谢亮	PART NO: 产品编号: HDGC3963WVD-S-XP	
X.XX	± 0.30	X.XX°	$\pm 2^{\circ}$	CHECK: 校对: 王建业	DATE	SCALE
X.XXX	± 0.10	X.XXX°	$\pm 1^{\circ}$	DRAW: 绘图: 黄艳兰	2017-08-02	1:1
				UNIT	CODE NUMBER	
				mm	A018	