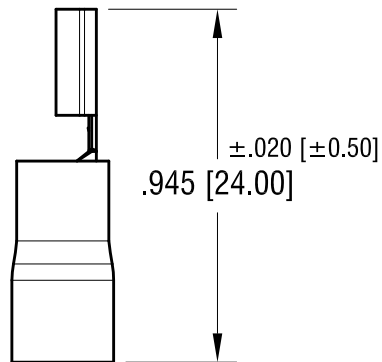
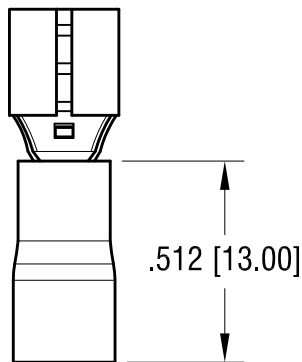
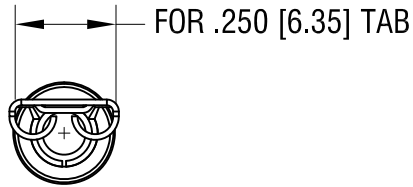


THIS DOCUMENT IS THE PROPERTY OF
KEYSTONE ELECTRONICS CORP. AND
SHALL NOT BE REPRODUCED, DISTRIBUTED
OR USED AS A BASIS FOR MANUFACTURE
WITHOUT PRIOR WRITTEN PERMISSION
FROM KEYSTONE ELECTRONICS CORP.

ACTUAL SIZE



NOTES:

1. ACCEPTS MALE TAB,
.250 [6.35] W. x .032 [0.81] THK
2. ACCEPTS WIRE RANGE 12-10 AWG
MAXIMUM INSULATION DIA. .250 [6.35]
3. BODY: MAT'L: BRASS, TIN PLATE
INSULATION: MAT'L: VINYL, COLOR YELLOW

KEYSTONE ELECTRONICS CORP.

www.keyelco.com • NEW HYDE PARK, NY 11040 • Tel (516) 328-7500

PART NAME

SOLDERLESS TERMINAL, FEMALE

MATERIAL

AS NOTED

FINISH

AS NOTED

DRN BY

BOONE

DATE

7.10.03

APP'D

RH

SCALE

2X

TOLERANCES

INCH [MM]

DECIMAL

± .010 [± 0.25]

ANGULAR ± 1°

UNLESS OTHERWISE SPECIFIED

CODE

C

DWG NO.

8280

11.29.23	PER NEW TOOLING CHANGE AS PER ECN 23-226	A
DATE	DESCRIPTION	REV.