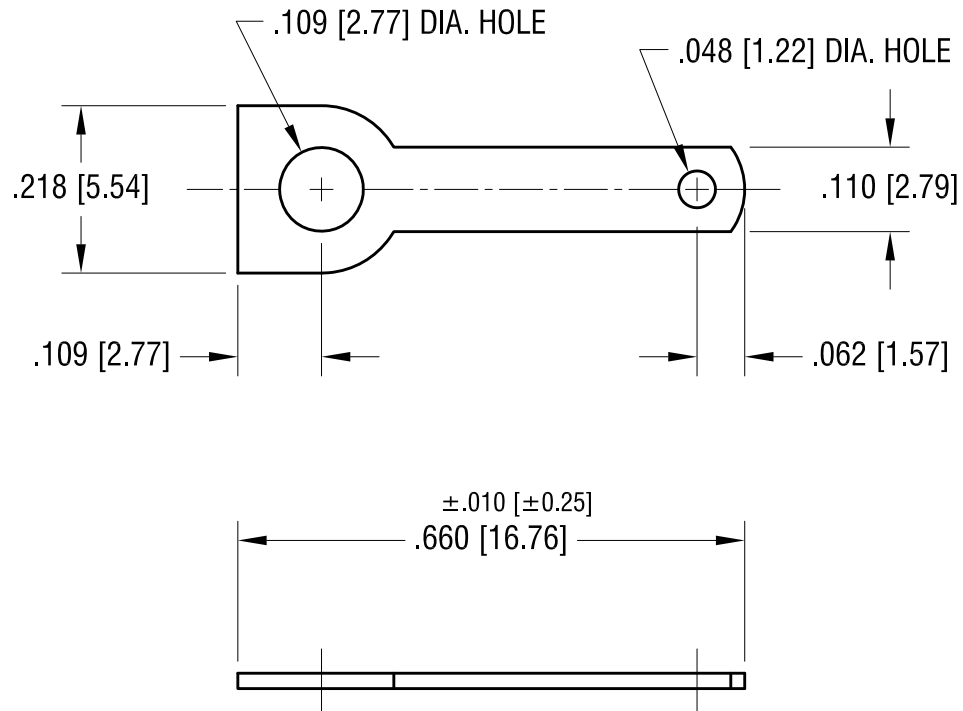


THIS DOCUMENT IS THE PROPERTY OF
KEYSTONE ELECTRONICS CORP. AND
SHALL NOT BE REPRODUCED, DISTRIBUTED
OR USED AS A BASIS FOR MANUFACTURE
WITHOUT PRIOR WRITTEN PERMISSION
FROM KEYSTONE ELECTRONICS CORP.

ACTUAL SIZE



7.06.23	CHANGE AS PER ECN 23-115	C
1.22.20	CHANGE AS PER ECN 20-006	B
1.03.96	ECR 96-002 REDRAWN	A
DATE	DESCRIPTION	REV.

KEYSTONE ELECTRONICS CORP.			
www.keyelco.com • NEW HYDE PARK, NY 11040 • Tel (516) 328-7500			
PART NAME .110 QUICK-FIT TERMINAL			
MATERIAL .020 [0.50] TH'K BRASS			
FINISH MATTE TIN PLATE		DRN BY BOONE	DATE 5.01.91
		APP'D MR	SCALE 4X
TOLERANCES	INCH [MM]	CODE	DWG NO.
DECIMAL	± .005 [± 0.13]	C	1269
ANGULAR	± 1°		
UNLESS OTHERWISE SPECIFIED			