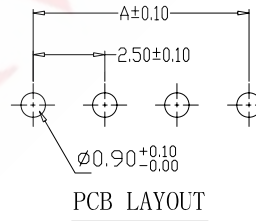
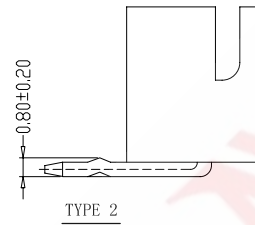
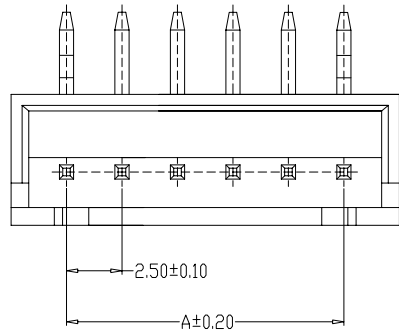
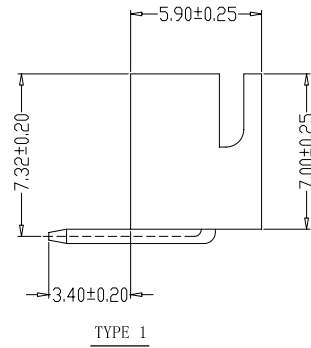
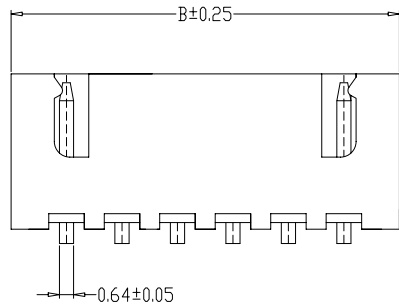


SAMZO REAC/ROHS

REV	ECN NO	DESCRIPTION	DESIGN	APPROVAL	DATE
A1	NEW	Replace frame			2013.06.21



SPECIFICATIONS

- 1、Current Rating: 3A AC, DC
- 2、Voltage Rating: 250V AC, DC
- 3、Temperatuer Range: -25℃~+85℃
- 4、Contact Resistance: 20mΩ Max
- 5、Insulation Resistance: 1000MΩ Min
- 6、Withstanding Voltang: 1000V AC/minute

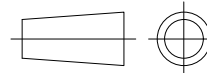
Circuits	尺寸 (mm)	
	A	B
02AW	2.50	7.50
03AW	5.00	10.00
04AW	7.50	12.50
05AW	10.00	15.00
06AW	12.50	17.50
07AW	15.00	20.00
08AW	17.50	22.50
09AW	20.00	25.00
10AW	22.50	27.50
11AW	25.00	30.00
12AW	27.50	32.50
20AW	47.50	52.50

A. SERISE: 5L-XH
 B. SPACING: L-2.50mm
 C. MOUNTING: B-WD
 D. STANDARD: A-WAFER
 E: PIN: 02-2P (02-20P)
 F: CODE: 0-PBT/1-PA6T
 G: L PIN/K PIN

5L L B A ** * *
 (A) (B) (C) (D) (E) (F) (G)

ITEM	DESCRIPTION	MATERIAL	QTY	FINSH/COLOR				
1	针脚	黄铜	N	镀锡				
2	主体	PBT /PA6T	1	白色/高温料	GENERAL TOLERANCE			
					≥0~2<	±0.15		
				DESIGN	WANGUIFA	2018.06.12	≥2~5<	±0.25
				CHECKED	ZHENGUILAN	2018.06.12	≥0~2<	±0.15
				APPROVED	LILIANJIANG	2018.06.14	≥5	±0.35

FIRST VIEW



The copyright belongs to samzo parts (China) Co., Ltd. please use the material after samzo parts agree to authorize. The final right of interpretation belongs to samzo parts.
 WWW.KKK-JP.COM

TITLE: :

XH2.50-90°-WD

DWG NO: 5LLB-P2501

PART NO: 5LLB25013

MODEL NO: 5LLBA-**-**-*

NAME:

WAFER CONNECTOR

SAMZO COMPONENTS
 Electronic switch and connector manufacturer

SCALE 1:1 UNIT mm