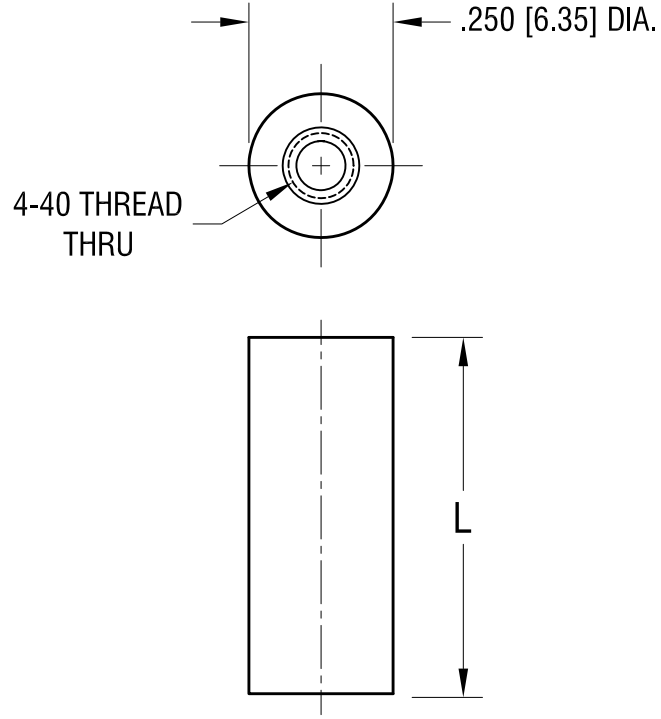


THIS DOCUMENT IS THE PROPERTY OF
KEYSTONE ELECTRONICS CORP. AND
SHALL NOT BE REPRODUCED, DISTRIBUTED
OR USED AS A BASIS FOR MANUFACTURE
WITHOUT PRIOR WRITTEN PERMISSION
FROM KEYSTONE ELECTRONICS CORP.

ACTUAL SIZE
P/N 3479



PART NO.	'L' DIM.
3478	.250 [6.35]
3479	.375 [9.53]
3480	.500 [12.70]
3481	.750 [19.05]
3482	1.000 [25.40]

KEYSTONE ELECTRONICS CORP.			
www.keyelco.com • NEW HYDE PARK, NY 11040 • Tel (516) 328-7500			
PART NAME THREADED ROUND STANDOFF			
MATERIAL LEAD FREE ALUMINUM			
FINISH CLEAR IRIDITE		DRN BY BOONE	DATE 3.12.98
		APP'D RH	SCALE 3X
TOLERANCES	INCH [MM]	CODE	DWG NO.
DECIMAL	$\pm .005$ [± 0.13]	C	3478-3482
ANGULAR	$\pm 1^\circ$		
UNLESS OTHERWISE SPECIFIED			

DATE	DESCRIPTION	REV.
8.02.23	CHANGE AS PER ECN23-131	B
5.03.19	CHANGE AS PER ECN 19-048	A