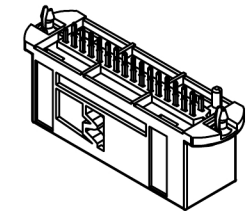
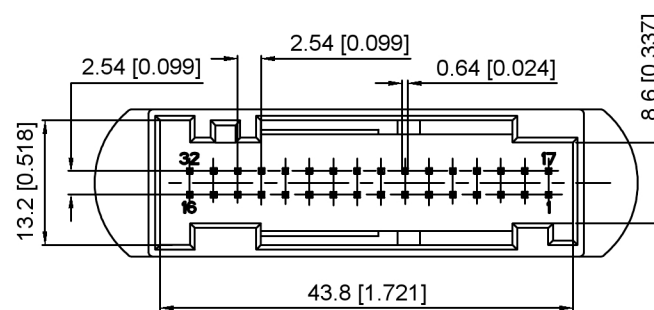
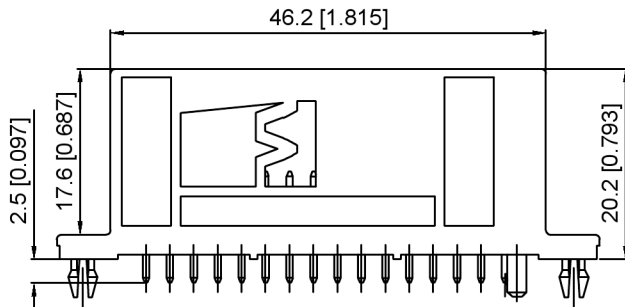
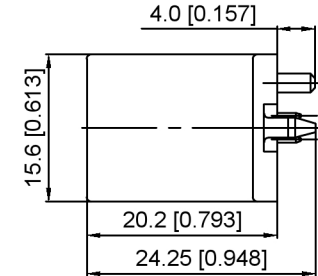
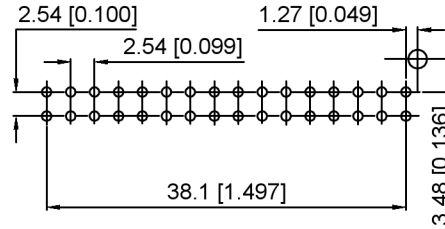
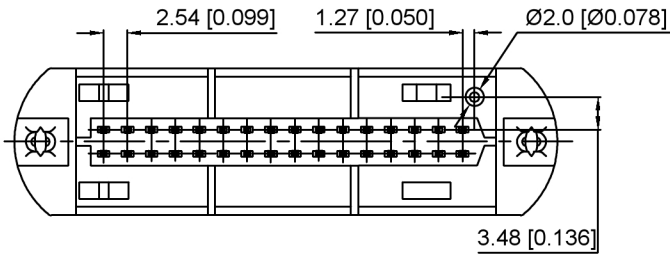


SEC:A-A

Current rating:2A AC/DC
 额定电流: 2A AC/DC
 Temperature range:-40°C~+125°C
 温度范围: -40°C~+125°C

K 966658 W V - 2xXX - PT SN X
 ① ② ③ ④ ⑤ ⑥ ⑦ ⑧

- 1.K: XKBTEK-Car Connector
- 2.XKB Series No
- 3.Category:W-Wafer
- 4.Welding Board Range:V-Stright 180°
- 5.Row No.Pin No:2xXX-2x16 Pin
- 6.Material:PT-PBT+GF15
- 7.Palting:SN-Plated Tin
- 8.Color:G-Green ; BL-Blue



K966658WV-2xXX-PTSX	PBT	Phosphor Bronze	K966658H
PART NO	Material	Material(Pin)	Suitable XKB Housing

DSND	SCALE: N/A	MODEL TYPE: 2.54mm Automobile connector
DWN	VIEW:	PART NO.: K966658WV-2xXX-PTSX
CHKD	UNIT: mm/in	DWG NO.: X-K966658WV-2xXX-PTSX
APPD	SIZE: A4	WEIGHT SHEET REVISION
		1/1 A0



XKB INDUSTRIAL PRECISION CO., LIMITED

ANGULAR	±5°
L ≤ 4	±0.2
4 < L ≤ 16	±0.3
16 < L ≤ 63	±0.4
L > 63	±0.5
UNSPECIFIED TOLERANCES	

ΔX					
ΔX					
ΔX					
MARK	DESCRIPTION	DATE	REVISED	APPROVED	
REVISIONS					