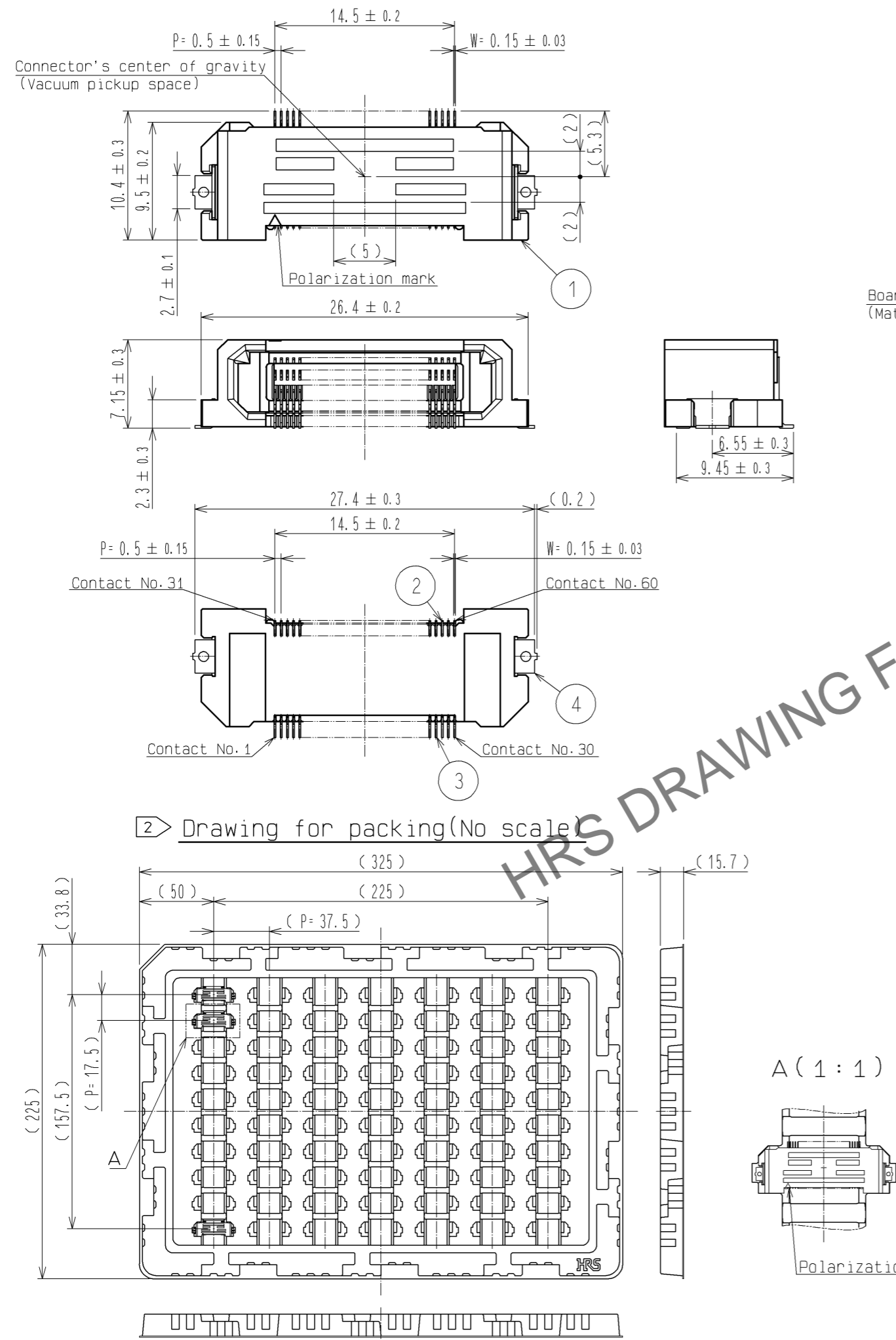
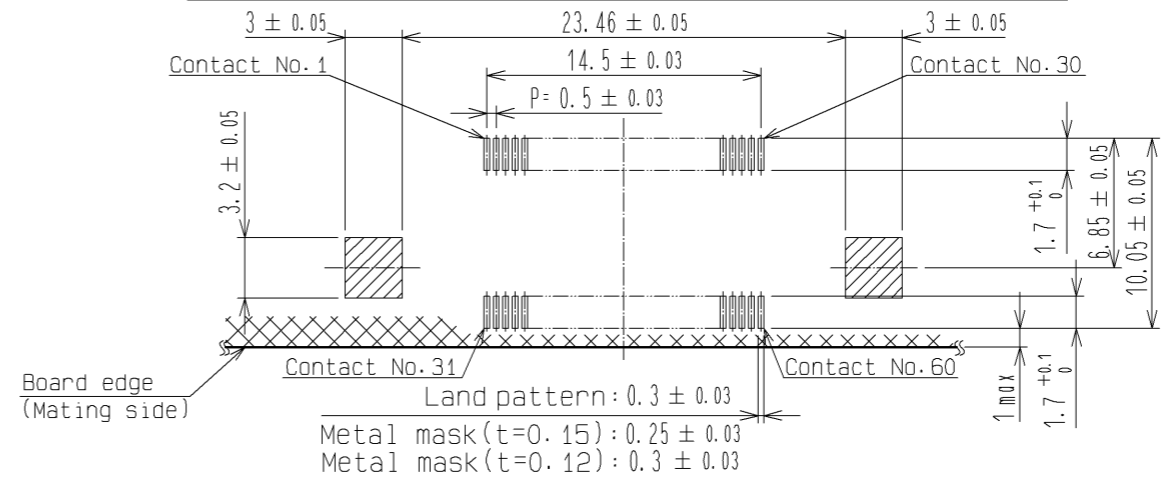


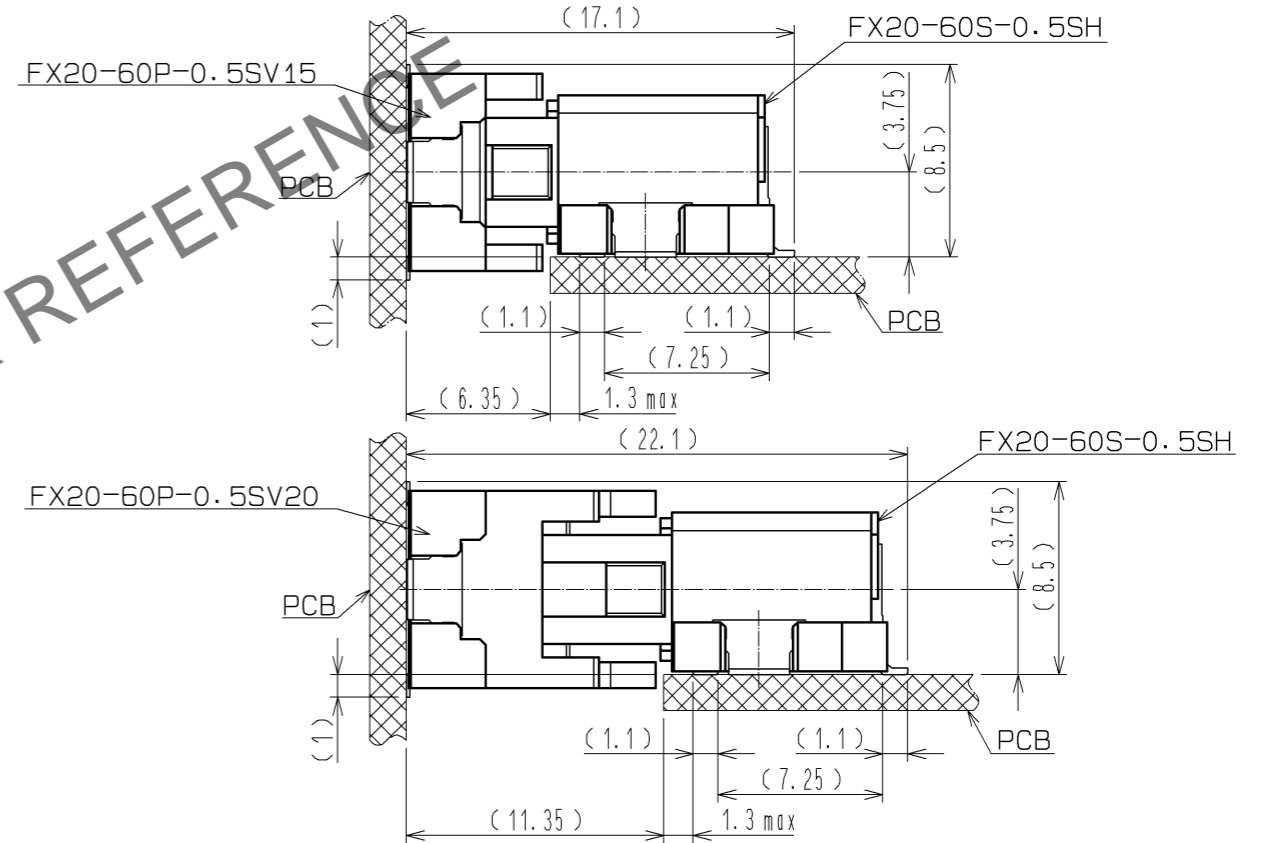
Jun.1.2024 Copyright 2024 HIROSE ELECTRIC CO., LTD. All Rights Reserved.  
 In case of consideration for using Automotive equipment / device which demand high reliability, kindly contact our sales window correspondents.



5 Recommended land pattern dimension of PCB



Drawing for mating (No scale)



- 1 Lead CO-Planarity is 0.1mm MAX.
- 2 This is packaged in tray. (70pcs/tray)
- 3 Blemish and hit mark can be occurred through out the manufacturing process which doesn't affect quality level.
- 4 Please note that excessive wrenching force could damage this connector. Please refer to the guideline for detailed regulations of the mating method.
- 5 No prohibited area for printing pattern or via hole. PCB resist can be printed optionally.
- 6 The dimensions in parentheses are for references.

1	LCP	BLACK UL94V-0	4	BRASS	TIN-PLATING $1 \mu\text{m}$
			2.3	PHOSPHOR BRONZE	CONTACT AREA: GOLD $0.1 \mu\text{m}$
					LEAD AREA: GOLD $0.03 \mu\text{m}$
					UNDER PLATING: NICKEL $1 \mu\text{m}$
NO.	MATERIAL	FINISH . REMARKS	NO.	MATERIAL	FINISH . REMARKS
UNITS		SCALE	COUNT	DESCRIPTION OF REVISIONS	DESIGNED
mm		2 : 1			CHECKED
		APPROVED : HS. OKAWA	13.09.25	DRAWING NO.	EDC3-348427-00
HIROSE ELECTRIC CO., LTD.		CHECKED : KI. HIROKAWA	13.09.25	PART NO.	FX20-60S-0.5SH
		DESIGNED : TS. OONO	13.09.25	CODE NO.	CL570-1602-0-00
		DRAWN : TS. OONO	13.09.25		