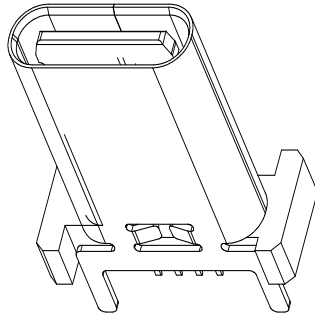


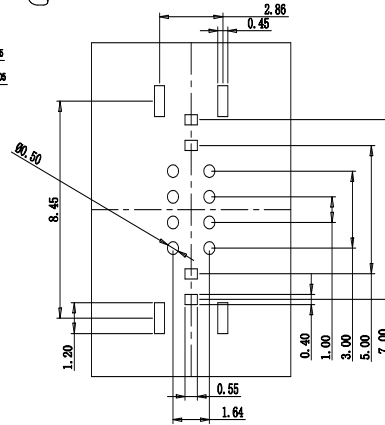
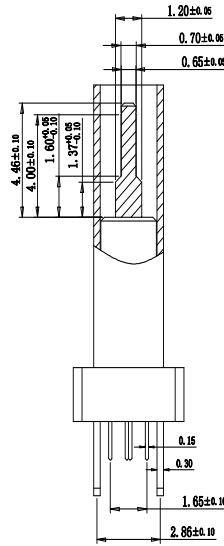
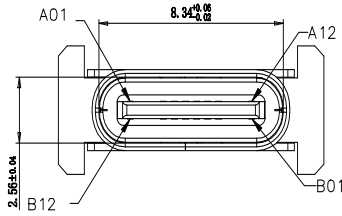
Kinghelm®

REV.	BCN NO OR DESCRIPTION	REVISED	DATE
A	PROPOSE ONLY	ERIC	2018.03.13

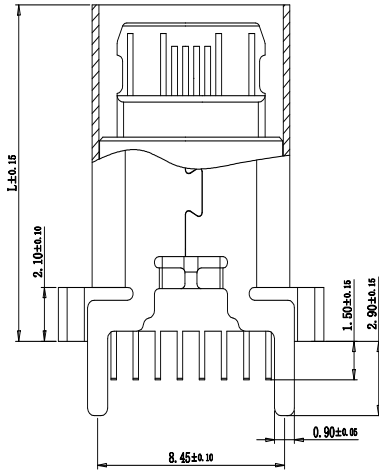
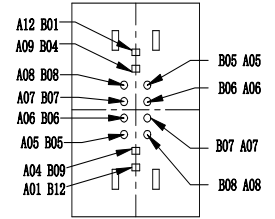


SPECIFICATIONS:

- ELECTRICAL CHARACTERISTICS:**
 - CONTACT RESISTANCE: 30m MAX. Ω
 - DIELECTRIC WITHSTANDING VOLTAGE: 100V AC FOR ONE MINUTE.
 - INSULATION RESISTANCE: 100M MIN. MEASURED BY 500 VDC
- MECHANICAL CHARACTERISTICS:**
 - INSERTION FORCE :0.5-2.0kgf (REF.)
 - WITHDRAWAL FORCE :0.8-2.0kgf (REF.)
- LIFE TEST:** 10,000 CYCLES.
- TO CONFORM TO THE ROHS HAZARDOUS SUBSTANCE FREE SPEC.**



此产品已经申请专利
请谨慎模仿



RECOMMENDED P.C.B. LAYOUT (T:1.00mm)
TOLERANCE UNSPECIFIED ±0.05mm

L= MM							
9.30	10.00	10.50	12.40	13.10	13.70	15.00	17.50

NO.	DESCRIPTION	MATERIAL	REMARKS	QTY
6	SHELL	STAINLESS STEEL	Ni Plated	1PCS
5	SHIELDING PLATE	STAINLESS STEEL	---	1PCS
4	MD	HIGH TEMPERATURE PLASTIC	BLACK	1PCS
3	CONTACT	COPPER ALLOY	Au/Ni Plated	1SET
2	CONTACT	COPPER ALLOY	Au/Ni Plated	1SET
1	HOUSING	HIGH TEMPERATURE PLASTIC	BLACK	1PCS

UNLESS OTHERWISE SPECIFIED TOLERANCES

DECIMALS: ANGLES: TITLE

X : ±0.5 X : ±2° DIM

X.X : ±0.10 X.X : ±1° CHD

X.XX : ±0.05 APVD

X.XXX : ±0.02

SCALE: 1:1 UNIT: mm

SIZE: A4 SHEET: 10P1 REV: A

CUSTOMER COPY

深圳市金航标电子有限公司 WWW.BDS666.COM

KH-TYPE-C-L13.7-16P 0755-83044319

TYPE-C 母16PIN 180度 插板

A1	GN0	B12	GN0
A4	VBIS	B9	VBIS
A5	CC1	B8	SR02
A6	DP1	B7	DR2
A7	DM1	B6	DP2
A8	SR01	B5	CC2
A9	VBIS	B4	VBIS
A12	GN0	B1	GN0
PN	SIGNAL NAME	PN	SIGNAL NAME

D