

General Purpose Chip Resistors

MCMR Series



**RoHS
Compliant**



Description

The resistors are constructed in a high grade ceramic body (aluminium oxide). Internal metal electrodes are added at each end and connected by a resistive paste that is applied to the top surface of the substrate. The composition of the paste is adjusted to give the approximate resistance required and the value is trimmed to within tolerance by laser cutting of this resistive layer.

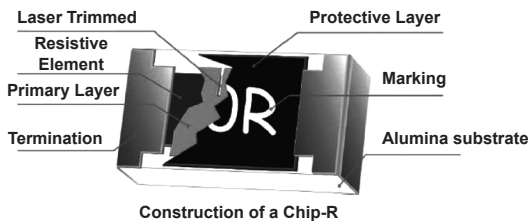
Features

- High reliability and stability $\pm 1\%$
- Sulfuration resistant
- Automotive grade AEC Q-200 compliant
- 100% CCD inspection
- Lead-free

Applications

- Automotive application
- Consumer electrical equipment
- EDP, computer application
- Telecom application

The resistive layer is covered with a protective coat. Finally, the two external end terminations are added. For ease of soldering the outer layer of these end terminations is a Tin (lead free) alloy



Quick Reference Data

Item	General Specification									
	MCMR10		MCMR12		MCMR08		MCMR06		MCMR04	
Series no.	1210 (3225)		1206 (3216)		0805 (2012)		0603 (1608)		0402 (1005)	
Resistance range	1 Ω to 10M Ω ($\pm 5\%$ tolerance), jumper 1 Ω to 10M Ω ($\pm 1\%$ tolerance)									
Resistance tolerance	$\pm 1\%$ E96/E24	$\pm 5\%$ E24	$\pm 1\%$ E96/E24	$\pm 5\%$ E24	$\pm 1\%$ E96/E24	$\pm 5\%$ E24	$\pm 1\%$ E96/E24	$\pm 5\%$ E24	$\pm 1\%$ E96/E24	$\pm 5\%$ E24
TCR (ppm/ $^{\circ}$ C) R > 1M Ω 10 Ω < R \leq 1M Ω R \leq 10 Ω	$\leq \pm 200$ $\leq \pm 100$ -200 ~ +400		$\leq \pm 200$ $\leq \pm 100$ -200 ~ +400		$\leq \pm 200$ $\leq \pm 100$ -200 ~ +400		$\leq \pm 200$ $\leq \pm 100$ -200 ~ +400		$\leq \pm 200$ $\leq \pm 100$ -200 ~ +400	
Max. dissipation at T _{amb} = 70 $^{\circ}$ C	1/2 W		1/4 W		1/8 W		1/10 W		1/16 W	
Max. operation voltage (DC or RMS)	200V		200V		150V		75V		50V	
Max. overload voltage (DC or RMS)	400V		400V		300V		150V		100V	
Climatic category (IEC 60068)	55/155/56									

www.element14.com
www.farnell.com
www.newark.com



General Purpose Chip Resistors

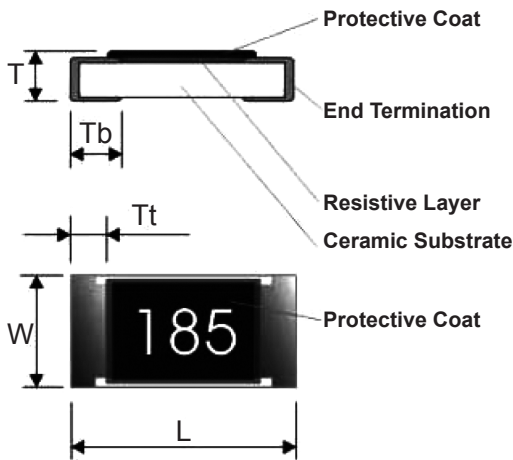
MCMR Series



Note:

1. This is the maximum voltage that may be continuously supplied to the resistor element, see "IEC publication 60115-8"
2. Maximum operation voltage : So called RCWV (rated continuous working voltage) is determined by

$$RCWV = \sqrt{\text{Rated Power} \times \text{Resistance Value}}$$
or maximum RCWV listed above, whichever is lower
3. The resistance of jumper is defined $< 0.05\Omega$



Dimensions (mm)

	MCMR10	MCMR12	MCMR08	MCMR06	MCMR04
L	3.1 ±0.1	3.1 ±0.1	2 ±0.1	1.6 ±0.1	1 ±0.05
W	2.6 ±0.1	1.6 ±0.1	1.25 ±0.1	0.8 ±0.1	0.5 ±0.05
T	0.55 ±0.1	0.6 ±0.15	0.5 ±0.15	0.45 ±0.15	0.35 ±0.05
Tb	0.5 ±0.2	0.45 ±0.2	0.4 ±0.2	0.3 ±0.15	0.25 ±0.1
Tt	0.5 ±0.2	0.5 ±0.2	0.4 ±0.2	0.3 ±0.1	0.2 ±0.1

Marking

Size \ Nr. of digit of code\tolerance	±5%	±1%
1210/1206/0805	3-digits marking	4-digits marking
0603 (1608)	3-digits marking	3-digits marking
0402(1005)	NO MARKING	

3-digits marking (±5% : 1206, 1210, 0805 & 0603)

Each resistor is marked with a three digits code on the protective coating to designate the nominal resistance value.

Nominal resistance	Description
1.E-24 series	As 0603 WR06X ±5%.
2.E-96 series	The 1st two digit codes are referring to the CODE on the table, the 3rd code is the index of resistance value : $Y = 10^{-2}, X = 10^{-1}, A = 10^0, B = 10^1, C = 10^2, D = 10^3, E = 10^4, F = 10^5$ EX : 17.8Ω = 25X, 178Ω = 25A, 1K78 = 25B 17K8 = 25C, 178K = 25D, 1M78 = 25E
3. Remark	There is no marking for the items are not under E-24 and E-96 series



General Purpose Chip Resistors

MCMR Series



CODE	R_value	CODE	R_value	CODE	R_value	CODE	R_value	CODE	R_value	CODE	R_value	CODE	R_value	CODE	R_value
01	100	13	133	25	178	37	237	49	316	61	422	73	562	85	750
02	102	14	137	26	182	38	243	50	324	62	432	74	576	86	768
03	105	15	140	27	187	39	249	51	332	63	442	75	590	87	787
04	107	16	143	28	191	40	255	52	340	64	453	76	604	88	806
05	110	17	147	29	196	41	261	53	348	65	464	77	619	89	825
06	113	18	150	30	200	42	267	54	357	66	475	78	634	90	845
07	115	19	154	31	205	43	274	55	365	67	487	79	649	91	866
08	118	20	158	32	210	44	280	56	374	68	499	80	665	92	887
09	121	21	162	33	215	45	287	57	383	69	511	81	681	93	909
10	124	22	165	34	221	46	294	58	392	70	523	82	698	94	931
11	127	23	169	35	226	47	301	59	402	71	536	83	715	95	953
12	130	24	174	36	232	48	309	60	412	72	549	84	732	96	976

4-digits marking ($\pm 1\%$: 1210/1206/0805)

Each resistor is marked with a four digits code on the protective coating to designate the nominal resistance value.

Example

RESISTANCE	10 Ω	12 Ω	100 Ω	6800 Ω	47000 Ω
3-digits marking (1210, 1206, 0805, 0603 $\pm 5\%$)	100	120	101	682	473
4-digits marking	10R0	12R0	1000	6801	4702

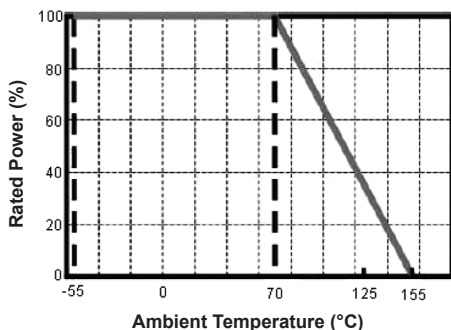
Functional Description

Product characterization

Standard values of nominal resistance are taken from the E24 series for resistors with a tolerance of $\pm 5\%$, and E24+E96 series for resistors with a tolerance of $\pm 1\%$. The values of the E24/E96 series are in accordance with "IEC publication 60063".

Derating

The power that the resistor can dissipate depends on the operating temperature



Max. dissipation in percentage of rated power as a function of the ambient temperature

General Purpose Chip Resistors

MCMR Series



Mounting:

Due to their rectangular shapes and small tolerances, surface mountable resistors are suitable for handling by automatic placement systems

Chip placement can be on ceramic substrates and printed-circuit boards (PCBs)

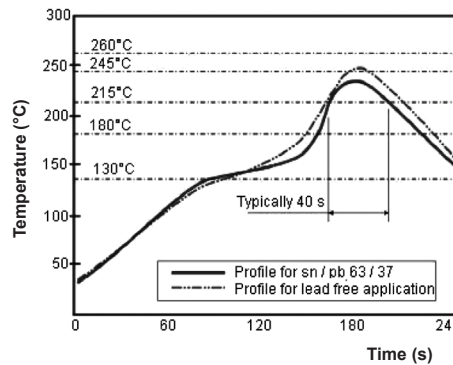
Electrical connection to the circuit is by individual soldering condition

The end terminations guarantee a reliable contact

Soldering Condition

The robust construction of chip resistors allows them to be completely immersed in a solder bath of 260°C for 10 seconds. Therefore, it is possible to mount surface mount resistors on one side of a PCB and other discrete components on the reverse (mixed PCBs)

Surface mount resistors are tested for solderability at 235°C during 2 seconds. The test condition for no leaching is 260°C for 30 seconds. Typical examples of soldering processes that provide reliable joints without any damage are given in below.



Infrared soldering profile for Chip Resistors

Catalogue Numbers

The resistors have a catalogue number starting with

MCMR12	X	472_	J	T	L
Automotive code MCMR10 : 1210 MCMR12 : 1206 MCMR08 : 0805 MCMR06 : 0603 MCMR04 : 0402	Type code X : ±5%, 1Ω ~ 10MΩ ±1%, 10Ω ~ 1MΩ W : ±1%, < 10Ω; >1MΩ	Resistance code ±5%, E24: 2 significant digits followed by no. of zeros and a blank 220Ω = 221_ ("_" means a blank) Resistance code ±1%, E24+E96: 3 significant digits followed by no. of zeros E96: 37.4kΩ = 3742 E24: 220Ω = 2200	Tolerance F : ±1% J : ±5% P : Jumper	Packaging code T : 7" Reeled taping Q : 10" Reeled taping G : 13" Reeled taping B : Bulk	Termination code L = Sn base (lead free)

* Anti-Sulfuration test conditions: H2S 3ppm, 40°C, RH 90%, 1000hrs, criteria: ±1%

MCMR10, MCMR12, MCMR08, MCMR06:

1. Reeled tape packaging : 8mm width paper taping 5000pcs per 7" reel, 10kpcs per 10" reel, 20kpcs per 13" reel.
2. Bulk packaging : 5000pcs per poly-bag

MCMR04:

1. Reeled tape packaging : 8mm width paper taping 10,000pcs per reel.
2. Bulk packaging : 10,000pcs per poly-bag



General Purpose Chip Resistors

MCMR Series



Test and Requirements

Essentially all tests are carried out according to the schedule of IEC publication 115-8, category LCT/UCT/56 (rated temperature range : Lower Category Temperature, Upper Category Temperature; damp heat, long term, 56 days). The testing also meets the requirements specified by EIA, EIAJ and JIS

The tests are carried out in accordance with IEC publication 68, "Recommended basic climatic and mechanical robustness testing procedure for electronic components" and under standard atmospheric conditions according to IEC 60068-1, sub-clause 5.3. Unless otherwise specified, the following value supplied :

Temperature : 15°C to 35°C

Relative humidity : 45% to 75%

Air pressure : 86kPa to 106kPa (860 mbar to 1,060 mbar)

All soldering tests are performed with mildly activated flux

Test and Requirements

Test	Procedure / Test Method	Requirement	
		Resistance	0Ω
Electrical Characteristics JISC5201-1: 1998 Clause 4.8	- DC resistance values measurement - Temperature Coefficient of Resistance (T.C.R) Natural resistance change per change in degree centigrade $\frac{R2 - R1}{R1 (t2 - t1)} \times 10^6 \text{ (ppm/}^\circ\text{C)}$ t1 : 20°C +5°C -1°C R1 : Resistance at reference temperature R2 : Resistance at test temperature	Within the specified tolerance Refer to "Quick Reference Data"	
Resistance to soldering heat (R.S.H) MIL-STD-202 method 210	Un-mounted chips completely immersed for 10 ±1 second in a SAC solder bath at 270°C ±5°C	ΔR/R Max. ± (0.5%+0.05Ω) No visible damage	< 50mΩ
Solderability J-STD-002	a) Bake the sample for 155°C dwell time 4hrs/ solder dipping 235°C/ 5sec. b) Steam the sample dwell time 1 hour/ solder dipping 260°C / 7 s	95% coverage minimum, good tinning No visible damage	
Temperature cycling JESD22 method JA-104	1,000 cycles, -55°C to +155°C, dwell time 5 to 10mins	ΔR/R Max. ± (0.5%+0.05Ω) No visible damage	< 50mΩ
Moisture Resistance MIL-STD-202 method 106	65 ±2°C, 80 to 100% RH, 10 cycles, 24 hours / cycle	ΔR/R Max. ± (0.5%+0.05Ω) No visible damage	< 50mΩ
Bias Humidity MIL-STD-202 method 103	1,000 +48/-0 hours; 85°C, 85% RH, 10% of operation Power	ΔR/R Max. ± (1%+0.05Ω) No visible damage	< 50mΩ
Operational Life MIL-STD-202 method 108	1,000 +48/-0 hours; 35% of operation power, 125 ±2°C	ΔR/R Max. ± (1%+0.05 Ω) No visible damage	< 50mΩ
High Temperature Exposure MIL-STD-202 method 108	1,000+48/-0 hours; without load in a temperature chamber controlled 155±3°C	ΔR/R Max. ± (1%+0.05 Ω) No visible damage	< 50mΩ
Mechanical Shock MIL-STD-202 method 213	1/2 sine pulse / 1,500 g peak / Velocity 15.4 ft/s	Within the specified tolerance No visible damage	



General Purpose Chip Resistors

MCMR Series



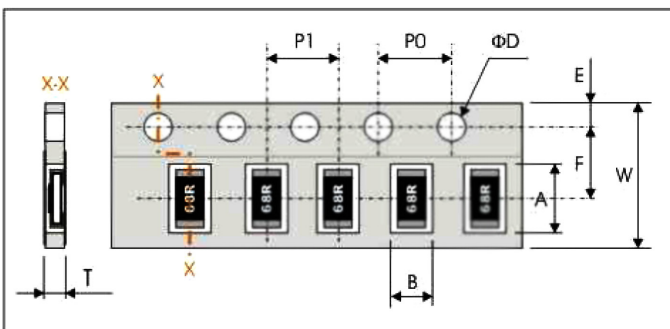
Test	Procedure / Test Method	Requirement	
		Resistance	0Ω
Board Flex AEC-Q200-005	Resistors mounted on a 90mm glass epoxy resin PCB(FR4), bending once 2mm for 10 sec.	ΔR/R Max. ± (1%+0.05 Ω) No visible damage	< 50mΩ
Terminal strength AEC-Q200-006	Pressurizing force: 1 Kg, Test time: 60±1 sec.	No remarkable damage or removal of the terminations	
Vibration MIL-STD-202 method 204	Test 5 g's for 20 minimum, 12 cycles each of 3 orientations	ΔR/R Max. ± (1%+0.05 Ω) No visible damage	< 50mΩ
Thermal shock MIL-STD-202 method 107	Test -55 to 155 / dwell time 15 minimum / maximum transfer time 20 seconds 300 cycles	ΔR/R Max. ± (0.5%+0.05 Ω) No visible damage	< 50mΩ
ESD AEC-Q200-002	Test contact 1 kV (0.5 kV for 0402 only)	ΔR/R Max. ± (1%+0.05 Ω) No visible damage	< 50mΩ

Test Condition for Jumper (0 Ω)

Item	MCMR10	MCMR12	MCMR08	MCMR06	MCMR04
Power rating at +70°C	1/2W	1/4W	1/8W	1/10W	1/16W
Resistance	Max. 50mΩ				
Rated current	3A	2A	1.5A	1A	1A
Peak current	7.5A	5A	3.5A	3A	2A
Operating temperature	-55°C to +155°C				

Packaging

Paper Tape specifications (unit :mm)



Series No.	A	B	W	F	E
MCMR10	3.6 ±0.2	3 ±0.2	8 ±0.3	3.5 ±0.2	1.75 ±0.1
MCMR12	3.6 ±0.2	2 ±0.2			
MCMR08	2.4 ±0.2	1.65 ±0.2			
MCMR06	1.9 ±0.2	1.1 ±0.2			
MCMR04	1.2 ±0.1	0.7 ±0.1			



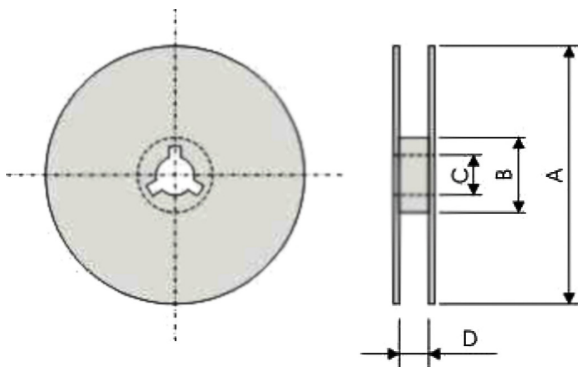
General Purpose Chip Resistors

MCMR Series



Series No.	P1	P0	ØD	T
MCMR10/12/08	4 ±0.1	4 ±0.1	1.5 ^{+0.1} _{-0.0}	Max. 1
MCMR06				0.65 ±0.05
MCMR04	2 ±0.1			0.4 ±0.05

7" Reel dimensions



Symbol	A	B	C	D
(unit : mm)	178 ±2	60 ±1	13 ±0.2	9 ±0.5

Important Notice : This data sheet and its contents (the "Information") belong to the members of the Premier Farnell group of companies (the "Group") or are licensed to it. No licence is granted for the use of it other than for information purposes in connection with the products to which it relates. No licence of any intellectual property rights is granted. The Information is subject to change without notice and replaces all data sheets previously supplied. The Information supplied is believed to be accurate but the Group assumes no responsibility for its accuracy or completeness, any error in or omission from it or for any use made of it. Users of this data sheet should check for themselves the Information and the suitability of the products for their purpose and not make any assumptions based on information included or omitted. Liability for loss or damage resulting from any reliance on the Information or use of it (including liability resulting from negligence or where the Group was aware of the possibility of such loss or damage arising) is excluded. This will not operate to limit or restrict the Group's liability for death or personal injury resulting from its negligence. Multicomp is the registered trademark of the Group. © Premier Farnell Limited 2016.