

Darlington Transistor TO-3



Description:

The 2N6059 is a silicon epitaxial-base NPN transistors in monolithic darlington configuration in JEDEC TO-3 metal case. It is intended for use in power linear and low frequency switching applications

Applications:

Linear and switching industrial equipment

Features:

- High gain
- NPN darlington
- High current
- High dissipation
- Integrated antiparallel collector-emitter diode

Absolute Maximum Ratings

Parameter	Symbol	Value	Unit
Collector-Base Voltage ($I_E = 0$)	V_{CBO}	100	V
Collector-Emitter Voltage ($V_{BE} = -1.5V$)	V_{CEX}		
Collector-Emitter Voltage ($I_B = 0$)	V_{CEO}		
Emitter-Base Voltage ($I_C = 0$)	V_{EBO}	5	
Collector Current	I_C	12	A
Collector Peak Current ($t_p < 5ms$)	I_{CM}	20	
Base Current	I_B	0.2	
Total Dissipation at $T_c \leq 25^\circ C$	P_{tot}	150	W
Storage Temperature	T_{stg}	-65 to 200	°C
Max. Operating Junction Temperature	T_j	200	

Thermal Data

Max. Thermal Resistance Junction-case	$R_{thj-case}$	1.17	°C/W
---------------------------------------	----------------	------	------

Darlington Transistor TO-3



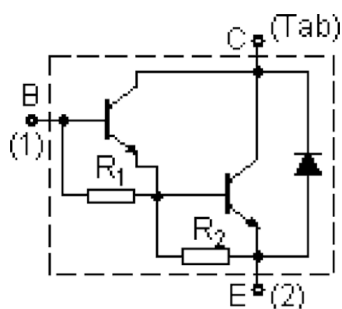
Electrical Characteristics

(T_{case} = 25°C unless otherwise specified)

Parameter	Test Conditions	Symbol	Min.	Max.	Unit	
Collector Cut-off Current (V _{BE} = 1.5V)	V _{CE} = rated V _{CEX} V _{CE} = rated V _{CEX} T _C = 150°C	I _{CEX}	-	0.5 5	μA	
Collector Cut-off Current (I _B = 0)	V _{CE} = 50V	I _{CEO}	-	1		
Emitter Cut-off Current (I _C = 0)	V _{EB} = 5V	I _{EBO}	-	2		
Collector-Emitter Sustaining Voltage (I _B = 0)	I _C = 100mA	V _{CEO (sus)*}	100	-	V	
Collector-Emitter Saturation Voltage	I _C = 6A I _B = 24mA I _C = 12A I _B = 120mA	V _{CE (sat)*}	-	2 3		
Base-Emitter Saturation Voltage	I _C = 12A I _B = 120mA	V _{BE (sat)*}	-	4		
Base-Emitter Voltage	I _C = 6A V _{CE} = 3V	V _{BE}	-	2.8		
DC Current Gain	I _C = 6A V _{CE} = 3V I _C = 12A V _{CE} = 3V	h _{FE*}	750 100	-		
Transition frequency	I _C = 5A V _{CE} = 3V f = 1MHz	f _T	4	-		MHz

*Pulsed: Pulse Duration = 300μs, Duty Cycle 1.5%

Internal Schematic Diagram

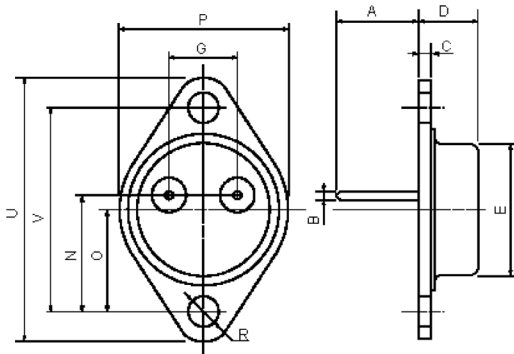


R₁ Typical = 6kΩ R₂ Typical = 55Ω

Darlington Transistor TO-3



Dimensions



TO-3 Mechanical Data

Dim.	Min.	Max.
A	11 (0.433)	13.1 (0.516)
B	0.97 (0.038)	1.15 (0.045)
C	1.5 (0.59)	1.65 (0.065)
D	8.32 (0.327)	8.92 (0.351)
E	19 (0.748)	20 (0.787)
G	10.7 (0.421)	11.1 (0.437)
N	16.5 (0.649)	17.2 (0.677)
P	25 (0.984)	26 (1.023)
R	4 (0.157)	4.09 (0.161)
U	38.5 (1.515)	39.3 (1.547)
V	30 (1.187)	30.3 (1.193)

Dimensions : Millimetres (Inches)

Part Number Table

Description	Part Number
Darlington Transistor, TO-3	2N6059

Important Notice : This data sheet and its contents (the "Information") belong to the members of the Premier Farnell group of companies (the "Group") or are licensed to it. No licence is granted for the use of it other than for information purposes in connection with the products to which it relates. No licence of any intellectual property rights is granted. The Information is subject to change without notice and replaces all data sheets previously supplied. The Information supplied is believed to be accurate but the Group assumes no responsibility for its accuracy or completeness, any error in or omission from it or for any use made of it. Users of this data sheet should check for themselves the Information and the suitability of the products for their purpose and not make any assumptions based on information included or omitted. Liability for loss or damage resulting from any reliance on the Information or use of it (including liability resulting from negligence or where the Group was aware of the possibility of such loss or damage arising) is excluded. This will not operate to limit or restrict the Group's liability for death or personal injury resulting from its negligence. Multicomp is the registered trademark of the Group. © Premier Farnell plc 2012.