

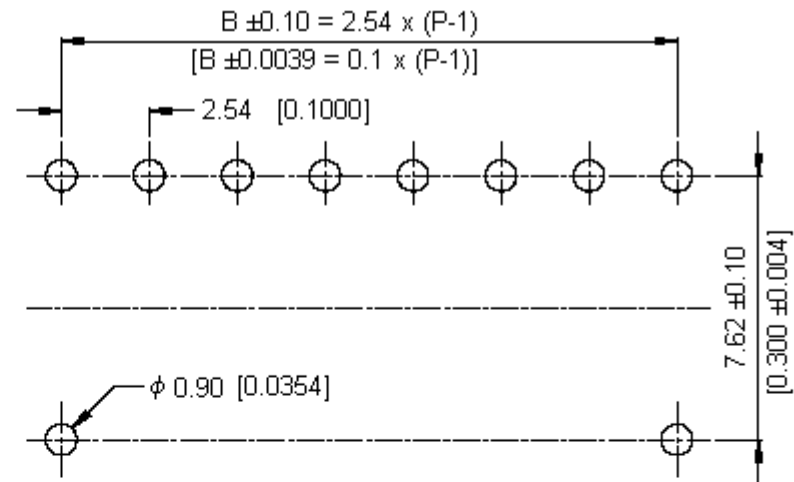
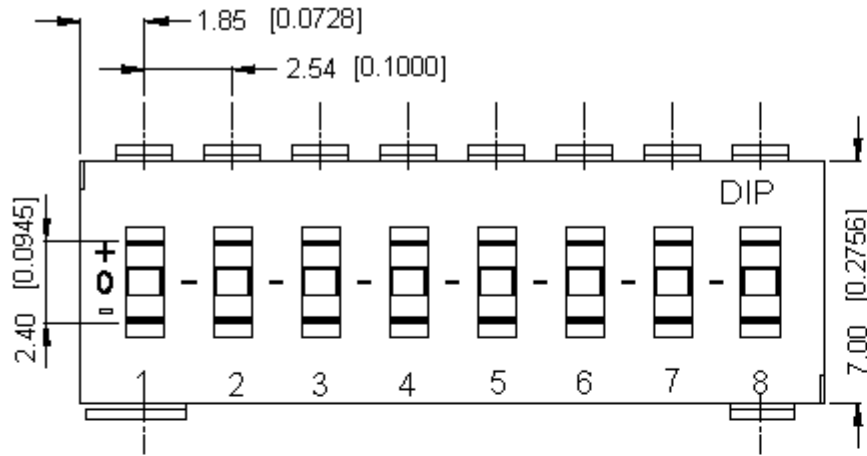


PART NO.

MCTI Series

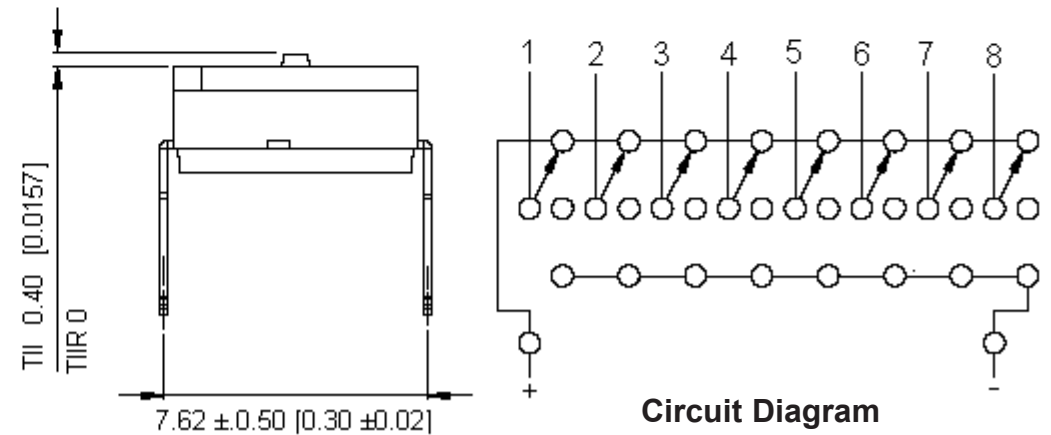
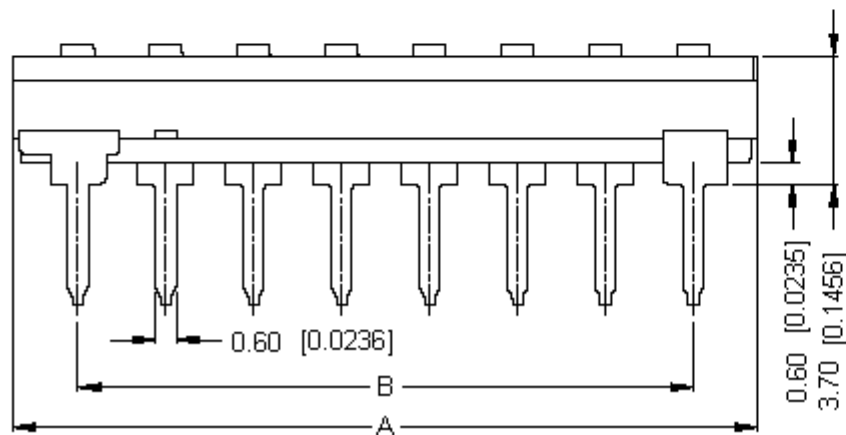
REVISIONS

ECN #	REV	DESCRIPTION	DRAWN	DATE	CHECKD	DATE	APPRVD	DATE
-	A	RELEASED	Sumana	07/3/08	Suresh	07/3/08	G. C	21/3/08



MCTIIR

PCB Layout



Circuit Diagram

Dimensions : Millimetres (Inches)

This data sheet and its contents (the "Information") belong to the Premier Farnell Group (the "Group") or are licensed to it. No licence is granted for the use of it other than for information purposes in connection with the products to which it relates. No licence of any intellectual property rights is granted. The Information is subject to change without notice and replaces all data sheets previously supplied. The Information supplied is believed to be accurate but the Group assumes no responsibility for its accuracy or completeness, any error in or omission from it or for any use made of it. Users of this data sheet should check for themselves the Information and the suitability of the products for their purpose and not make any assumptions based on information included or omitted. Liability for loss or damage resulting from any reliance on the Information or use of it (including liability resulting from negligence or where the Group was aware of the possibility of such loss or damage arising) is excluded. This will not operate to limit or restrict the Group's liability for death or personal injury resulting from its negligence. SPC MULTICOMP is the registered trademark of the Group. © Premier Farnell plc 2008.

TOLERANCES:

UNLESS OTHERWISE SPECIFIED, DIMENSIONS ARE FOR REFERENCE PURPOSES ONLY.

DRAWN BY:	DATE:
Sumana	07/03/08
CHECKED BY:	DATE:
Suresh	07/03/08
APPROVED BY:	DATE:
G.Cook	21/03/08

DRAWING TITLE:

Dual In Line Switches - Tri-State - IC Type

SIZE <b>A</b>	DWG NO. <b>M10000827</b>	ELECTRONIC FILE TII(M)R-V_DWG	REV <b>A</b>
SCALE: NTS		U.O.M.: mm (Inches)	SHEET: 1 OF 4



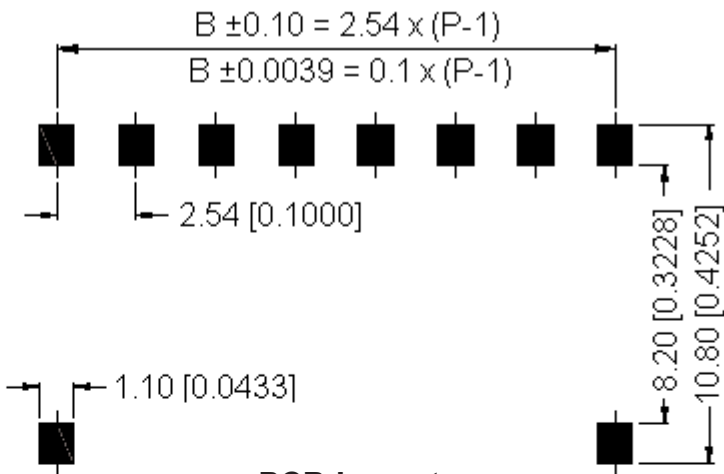
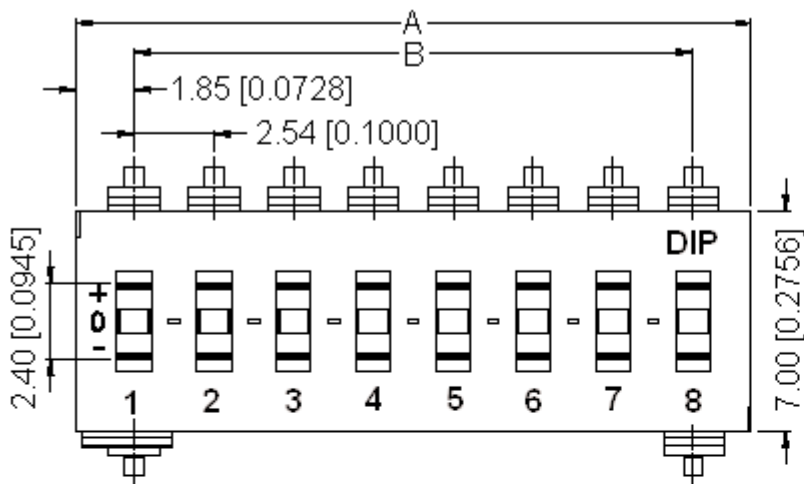
PART NO.

MCTI Series

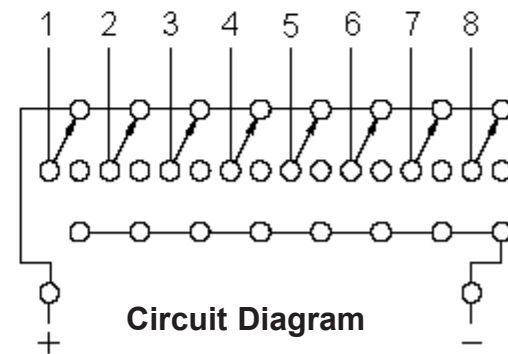
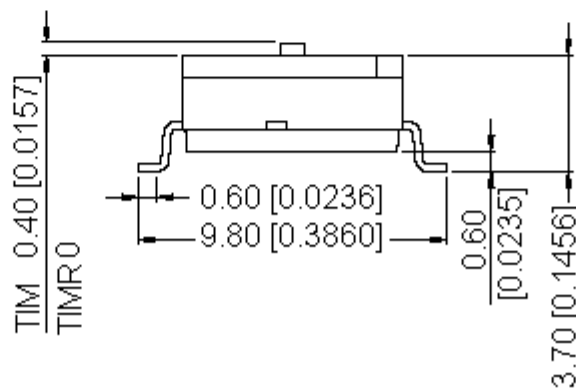
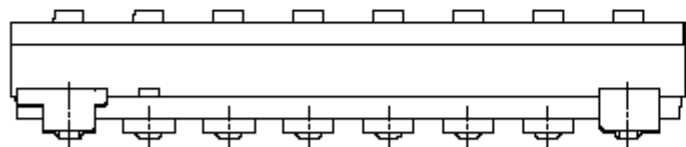
REVISIONS

ECN #	REV	DESCRIPTION	DRAWN	DATE	CHECKD	DATE	APPRVD	DATE
-	A	RELEASED	Sumana	07/3/08	Suresh	07/3/08	G. C	21/3/08

MCTIMR



PCB Layout



Circuit Diagram

Dimensions : Millimetres (Inches)

This data sheet and its contents (the "Information") belong to the Premier Farnell Group (the "Group") or are licensed to it. No licence is granted for the use of it other than for information purposes in connection with the products to which it relates. No licence of any intellectual property rights is granted. The Information is subject to change without notice and replaces all data sheets previously supplied. The Information supplied is believed to be accurate but the Group assumes no responsibility for its accuracy or completeness, any error in or omission from it or for any use made of it. Users of this data sheet should check for themselves the Information and the suitability of the products for their purpose and not make any assumptions based on information included or omitted. Liability for loss or damage resulting from any reliance on the Information or use of it (including liability resulting from negligence or where the Group was aware of the possibility of such loss or damage arising) is excluded. This will not operate to limit or restrict the Group's liability for death or personal injury resulting from its negligence. SPC MULTICOMP is the registered trademark of the Group. © Premier Farnell plc 2008.

TOLERANCES:

UNLESS OTHERWISE SPECIFIED, DIMENSIONS ARE FOR REFERENCE PURPOSES ONLY.

DRAWN BY:	DATE:
Sumana	07/03/08
CHECKED BY:	DATE:
Suresh	07/03/08
APPROVED BY:	DATE:
G.Cook	21/03/08

DRAWING TITLE:

Dual In Line Switches - Tri-State - IC Type

SIZE	DWG NO.	ELECTRONIC FILE	REV
A	M10000827	TII(M)R-V_DWG	A
SCALE: NTS	U.O.M.: mm (Inches)	SHEET: 2 OF 4	



PART NO.

MCTI Series

REVISIONS

ECN #	REV	DESCRIPTION	DRAWN	DATE	CHECKD	DATE	APPRVD	DATE
-	A	RELEASED	Sumana	07/3/08	Suresh	07/3/08	G. C	21/3/08

**Specifications:**

**Mechanical:**

Mechanical life : 2,000 operations.  
 Maximum operating force : 1,000gf.  
 Stroke : 0.8mm.  
 Operating temperature : -20°C to +85°C.  
 Storage temperature : -40°C to +85°C.

**Electrical:**

Electrical life : 2,000 cycles.  
 Rating : 25mA, 24V dc.  
 Maximum contact resistance : 100mΩ.  
 Dielectric strength : 500V ac/1 minute.  
 Circuit : 3 switching positions.

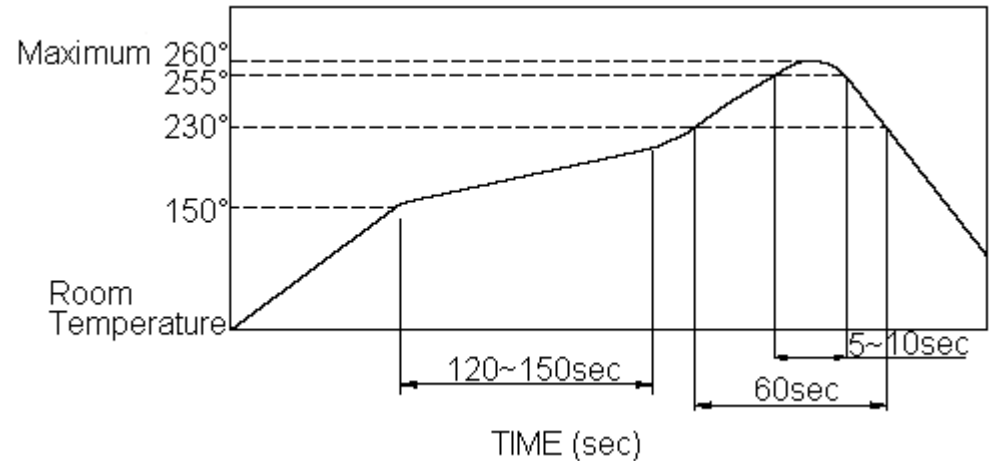
**Material:**

Base and cover : UL 94V-0 Nylon high temperature thermoplastic.  
 Colour : Black.  
 Actuators : UL 94V-0 LCP high temperature thermoplastic.  
 Colour : White.  
 Contact : Alloy copper with gold plated.  
 Terminal : Brass with gold plated.  
 Tape : Kapton

**Soldering Process:**

**Wave soldering :** Recommended solder temperature at 500°F (260°C) maximum 5 seconds for through hole type.  
**Hand soldering :** Use a soldering iron of 30 watts, controlled at 350°C approximately maximum 5 seconds while applying.  
**Reflow soldering :** When applying reflow soldering, the peak temperature or the reflow oven should be set at 260°C maximum.  
 Do not wash the switch body except top tape sealed type, which suitable for spray cleaning method from top of the s/w.  
 Any flux enters the switch may fail the conductivity.

**Reflow Temperature Profile**



This data sheet and its contents (the "Information") belong to the Premier Farnell Group (the "Group") or are licensed to it. No licence is granted for the use of it other than for information purposes in connection with the products to which it relates. No licence of any intellectual property rights is granted. The Information is subject to change without notice and replaces all data sheets previously supplied. The Information supplied is believed to be accurate but the Group assumes no responsibility for its accuracy or completeness, any error in or omission from it or for any use made of it. Users of this data sheet should check for themselves the Information and the suitability of the products for their purpose and not make any assumptions based on information included or omitted. Liability for loss or damage resulting from any reliance on the Information or use of it (including liability resulting from negligence or where the Group was aware of the possibility of such loss or damage arising) is excluded. This will not operate to limit or restrict the Group's liability for death or personal injury resulting from its negligence. SPC MULTICOMP is the registered trademark of the Group. © Premier Farnell plc 2008.

**TOLERANCES:**

UNLESS OTHERWISE SPECIFIED, DIMENSIONS ARE FOR REFERENCE PURPOSES ONLY.

<b>DRAWN BY:</b>	<b>DATE:</b>
Sumana	07/03/08
<b>CHECKED BY:</b>	<b>DATE:</b>
Suresh	07/03/08
<b>APPROVED BY:</b>	<b>DATE:</b>
G.Cook	21/03/08

**DRAWING TITLE:**

Dual In Line Switches - Tri-State - IC Type

<b>SIZE</b> A	<b>DWG NO.</b> M10000827	<b>ELECTRONIC FILE</b> TII(M)R-V_DWG	<b>REV</b> A
<b>SCALE:</b> NTS		<b>U.O.M.:</b> mm (Inches)	<b>SHEET:</b> 3 OF 4



PART NO.

MCTI Series

REVISIONS

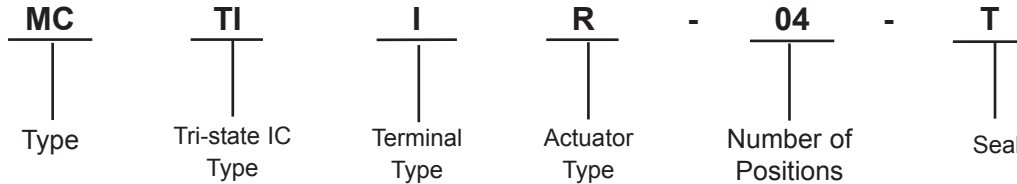
ECN #	REV	DESCRIPTION	DRAWN	DATE	CHECKD	DATE	APPRVD	DATE
-	A	RELEASED	Sumana	07/3/08	Suresh	07/3/08	G. C	21/3/08

Specifications Table

Number of Positions	A	B	Part Number
4	11.32 (0.446)	7.62 (0.300)	MCTIIR-04-T
8	21.48 (0.846)	17.78 (0.700)	MCTIIR-08-T
10	26.56 (1.046)	22.86 (0.900)	MCTIIR-10-T
4	11.32 (0.446)	7.62 (0.300)	MCTIMR-04
8	21.48 (0.846)	17.78 (0.700)	MCTIMR-08
10	26.56 (1.046)	22.86 (0.900)	MCTIMR-10

Dimensions: Millimetres (Inches)

Part Number Explanation



- Terminal Type** : I = Through Hole Type.  
M = SMT Type.
- Actuator Type** : R = Recessed Actuator.
- Number of Positions** : 04 = 4 Positions.  
08 = 8 Positions.  
10 = 10 Positions.
- Seal** : □ = Without top tape.  
T = Top tape sealed.  
(For recessed actuator only)

<http://www.farnell.com>  
<http://www.newark.com>  
<http://www.cpc.co.uk>

This data sheet and its contents (the "Information") belong to the Premier Farnell Group (the "Group") or are licensed to it. No licence is granted for the use of it other than for information purposes in connection with the products to which it relates. No licence of any intellectual property rights is granted. The Information is subject to change without notice and replaces all data sheets previously supplied. The Information supplied is believed to be accurate but the Group assumes no responsibility for its accuracy or completeness, any error in or omission from it or for any use made of it. Users of this data sheet should check for themselves the Information and the suitability of the products for their purpose and not make any assumptions based on information included or omitted. Liability for loss or damage resulting from any reliance on the Information or use of it (including liability resulting from negligence or where the Group was aware of the possibility of such loss or damage arising) is excluded. This will not operate to limit or restrict the Group's liability for death or personal injury resulting from its negligence. SPC MULTICOMP is the registered trademark of the Group. © Premier Farnell plc 2008.

<b>TOLERANCES:</b>  <b>UNLESS OTHERWISE SPECIFIED, DIMENSIONS ARE FOR REFERENCE PURPOSES ONLY.</b>	<b>DRAWN BY:</b>	<b>DATE:</b>	<b>DRAWING TITLE:</b>  <b>Dual In Line Switches - Tri-State - IC Type</b>			
	Sumana	07/03/08				
	<b>CHECKED BY:</b>	<b>DATE:</b>	<b>SIZE</b>	<b>DWG NO.</b>	<b>ELECTRONIC FILE</b>	<b>REV</b>
	Suresh	07/03/08	A	M10000827	TII(M)R-V_DWG	A
<b>APPROVED BY:</b>	<b>DATE:</b>	<b>SCALE: NTS</b>		<b>U.O.M.: mm (Inches)</b>		<b>SHEET: 4 OF 4</b>
G.Cook	21/03/08					