

DESIGNED & DIMENSIONED
IN MILLIMETERS [INCHES]

DO NOT
SCALE FROM
THIS PRINT

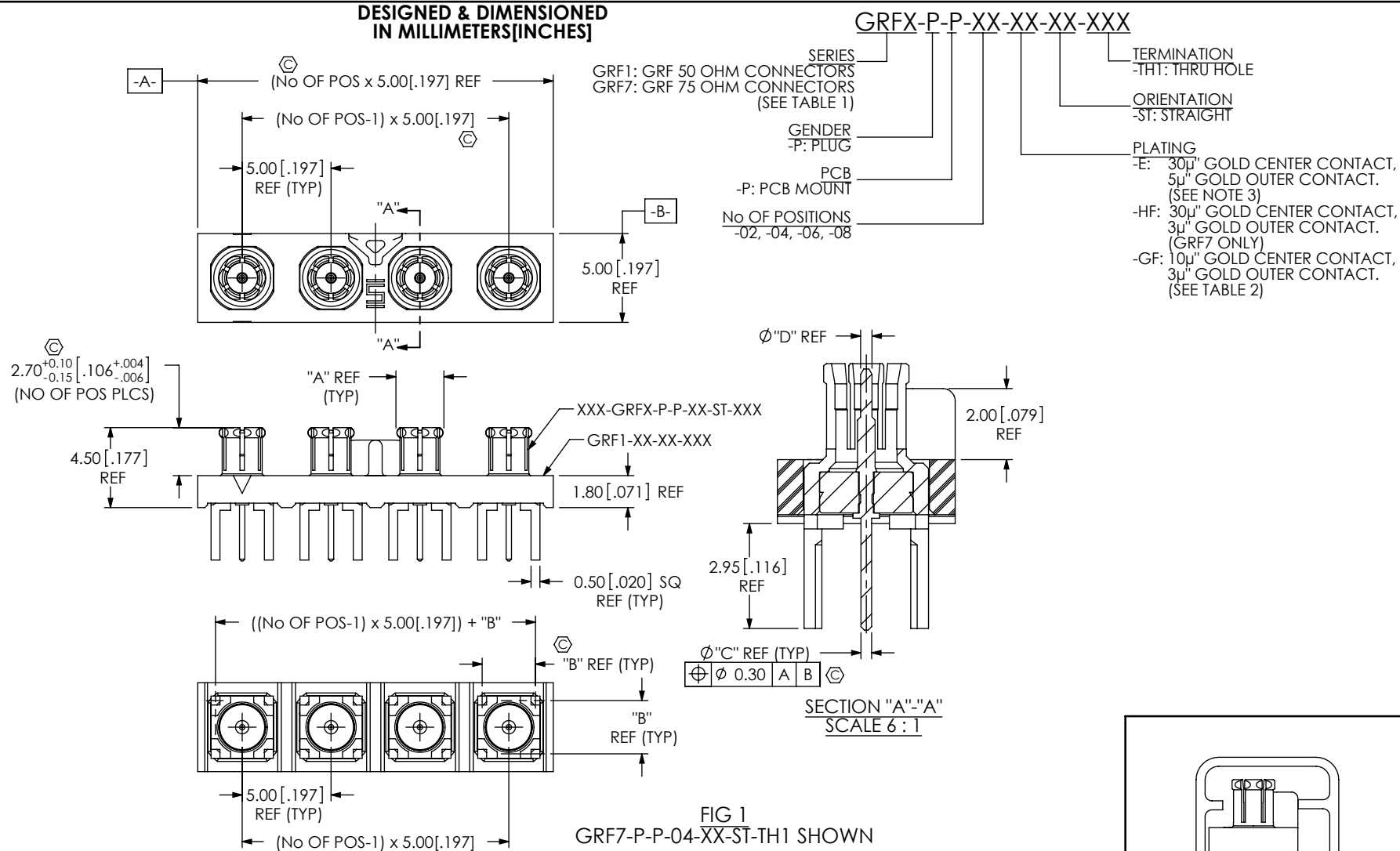
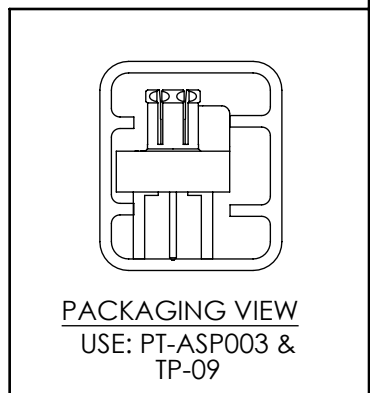


FIG 1
GRF7-P-P-04-XX-ST-TH1 SHOWN

SERIES	"A"	"B"	"C"	"D"	XXX-GRFX-P-P-XX-ST-XXX
GRF1	2.70 [0.106]	2.54 [0.100]	0.70 [0.028]	0.40 [0.016]	SUB-GRF1-P-P-XX-ST-TH1
GRF7	2.60 [0.102]	3.00 [0.118]	0.30 [0.012]	0.32 [0.013]	MMCX7-P-P-XX-ST-TH1

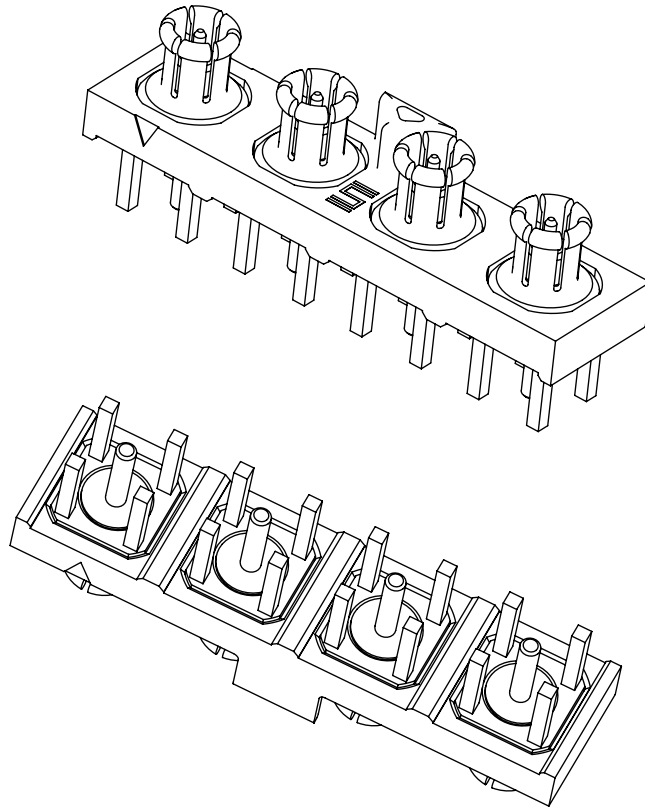
ASSEMBLY OPERATION	IN-PROCESS INSPECTION
FILL	C1, C2, C3, C4, C5

SERIES	-E	-HF	-GF
GRF1-	SUB-GRF1-P-P-HF-ST-TH1	N/A	N/A
GRF7-	N/A	MMCX7-P-P-HF-ST-TH1	MMCX7-P-P-GF-ST-TH1

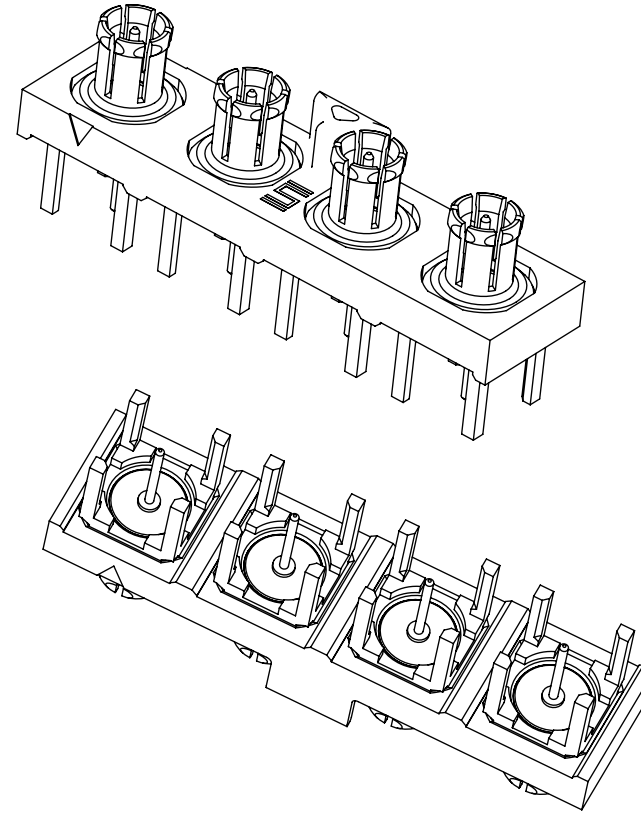


- NOTES:
- ⊗ REPRESENTS A CRITICAL DIMENSION.
 - MINIMUM PUSHOUT FORCE: 2.22N [0.5 LB].
 - FOR GRF1 ONLY, EXISTING DESIGNATION.

UNLESS OTHERWISE SPECIFIED, DIMENSIONS ARE IN MILLIMETERS. TOLERANCES ARE: DECIMALS ANGLES .X: ±0.3 [0.1] 5° .XX: ±0.13 [0.05] .XXX: ±0.051 [0.020]	PROPRIETARY NOTE THIS DOCUMENT CONTAINS INFORMATION CONFIDENTIAL AND PROPRIETARY TO SAMTEC, INC. AND SHALL NOT BE REPRODUCED OR TRANSFERRED TO OTHER DOCUMENTS OR DISCLOSED TO OTHERS OR USED FOR ANY PURPOSE OTHER THAN THAT WHICH IT WAS OBTAINED WITHOUT THE EXPRESSED WRITTEN CONSENT OF SAMTEC, INC.	DESCRIPTION: GANGED RF PLUG CONNECTOR
		DWG. NO. GRFX-P-P-XX-XX-XX-XXX
MATERIAL: DO NOT SCALE DRAWING SHEET SCALE: 3:1 INSULATOR: LCP, COLOR: BLACK SHELL: BRASS PIN: BRASS INSULATOR: PTFE		BY: CHAD F 9/8/2004 SHEET 1 OF 2



GRF1-P-P-04-XX-ST-TH1



GRF7-P-P-04-XX-ST-TH1

PROPRIETARY NOTE
 THIS DOCUMENT CONTAINS INFORMATION
 CONFIDENTIAL AND PROPRIETARY TO
 SAMTEC, INC. AND SHALL NOT BE REPRODUCED
 OR TRANSFERRED TO OTHER DOCUMENTS OR
 DISCLOSED TO OTHERS OR USED FOR ANY
 PURPOSE OTHER THAN THAT WHICH IT WAS
 OBTAINED WITHOUT THE EXPRESSED WRITTEN
 CONSENT OF SAMTEC, INC.

DO NOT SCALE DRAWING

SHEET SCALE: 3:1



520 PARK EAST BLVD, NEW ALBANY, IN 47150
 PHONE: 812-944-6733 FAX: 812-948-5047
 e-Mail info@SAMTEC.com code 55322

DESCRIPTION: GANGED RF PLUG CONNECTOR

DWG. NO. GRFX-P-P-XX-XX-XX-XXX

BY: CHAD F 9/8/2004 SHEET 2 OF 2