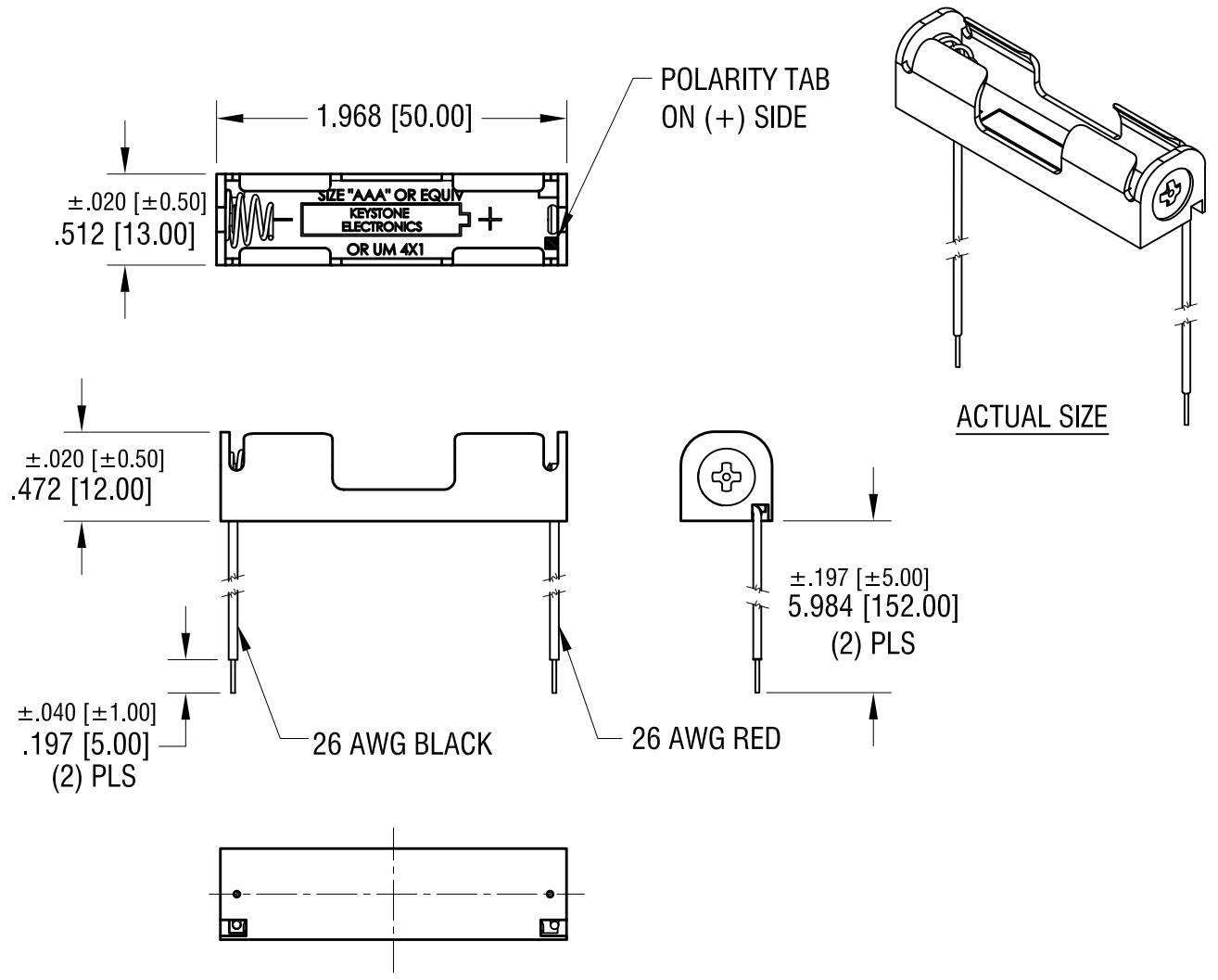


THIS DOCUMENT IS THE PROPERTY OF KEYSTONE ELECTRONICS CORP. AND SHALL NOT BE REPRODUCED, DISTRIBUTED OR USED AS A BASIS FOR MANUFACTURE WITHOUT PRIOR WRITTEN PERMISSION FROM KEYSTONE ELECTRONICS CORP.



NOTE:

1. HOLDER: MAT'L: POLYPROPYLENE
2. SPRING: MAT'L: MUSIC WIRE, .024 [0.60] DIA.
FINISH: NICKEL PLATE

DATE	DESCRIPTION	REV.
6.08.23	ADD POLARITY TAB CHANGE AS PER ECN 23-095	C
7.08.10	CHANGE AS PER ECN 10-081	B
11.17.99	CHANGE AS PER ECN 99-092	A

KEYSTONE ELECTRONICS CORP.			
www.keyelco.com • NEW HYDE PARK NY 11040 • Tel (516)328-7500			
PART NAME		BATTERY HOLDER (1) 'AAA'	
MATERIAL		AS NOTED	
FINISH		DRN BY	DATE
AS NOTED		BOONE	11.02.95
		APP'D	SCALE
		RH	1X
TOLERANCES	INCH [MM]	CODE	DWG NO.
DECIMAL	$\pm .015$ [± 0.38]	C	2467
ANGULAR	$\pm 1^\circ$		
UNLESS OTHERWISE SPECIFIED			