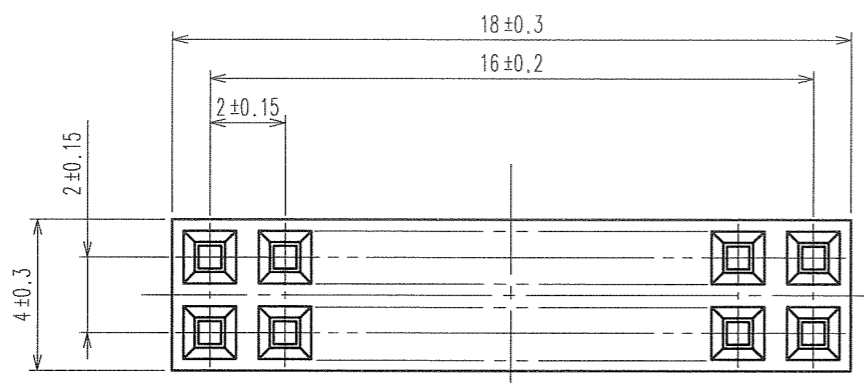


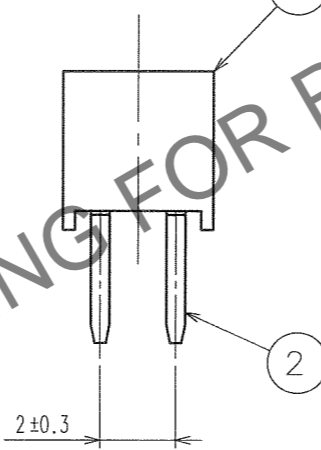
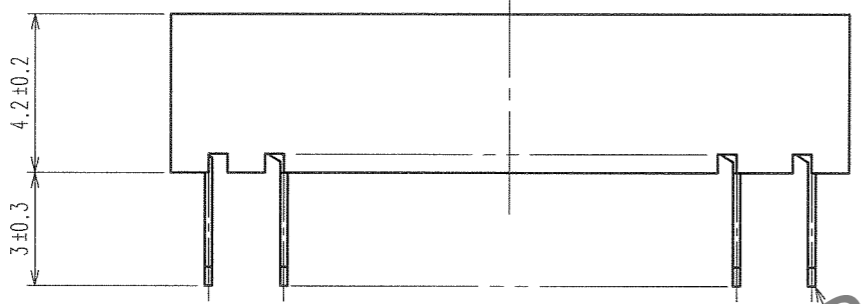
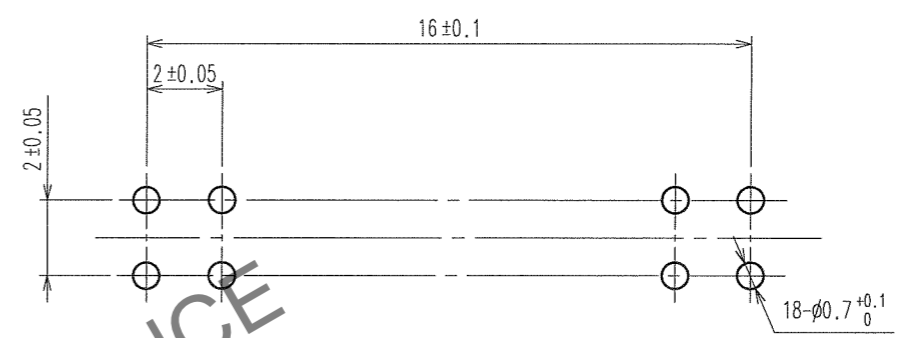
In case of consideration for using Automotive equipment / device which demand high reliability, kindly contact our sales window correspondents.

Jul.1.2024 Copyright 2024 HIROSE ELECTRIC CO., LTD. All Rights Reserved.

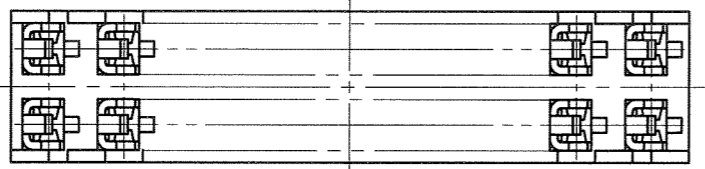
COUNT	DESCRIPTION OF REVISIONS	BY	CHKD	DATE	COUNT	DESCRIPTION OF REVISIONS	BY	CHKD	DATE
△				..	△				..
△				..	△				..
△				..	△				..



RECOMMENDED PC BOARD HOLE PATTERN



HRS DRAWING FOR REFERENCE



NOTE 1. THE CONTACT CUT SECTION IS UNPLATED.  
2. THE DIMENSIONS IN PARENTHESES ARE FOR REFERENCE.

1	PBT	BLACK UL94V-0	2	PHOSPHOR BRONZE	CONTACT AREA:GOLD 0.2μ m min. DIP AREA:TIN-PLATING 1μ m min. UNDER PLATING:NICKEL 1μ m min.	
NO.	MATERIAL	FINISH, REMARKS	NO.	MATERIAL	FINISH, REMARKS	
CODE NO. (OLD) CL		DRAWN K.NAKAMURA 06.05.20	DESIGNED K.NAKAMURA 06.05.20	CHECKED <i>K. Ogawa</i> 06.05.20	APPROVED <i>H. Okawa</i> 06.05.20	RELEASED ..
DRAWING NO. EDC3-081234-21		PART NO. A3C-18DA-2DSA(71)		CODE NO. CL621-0508-5-71		
SCALE 5 : 1		UNITS mm		HRS HIROSE ELECTRIC CO., LTD		

TO