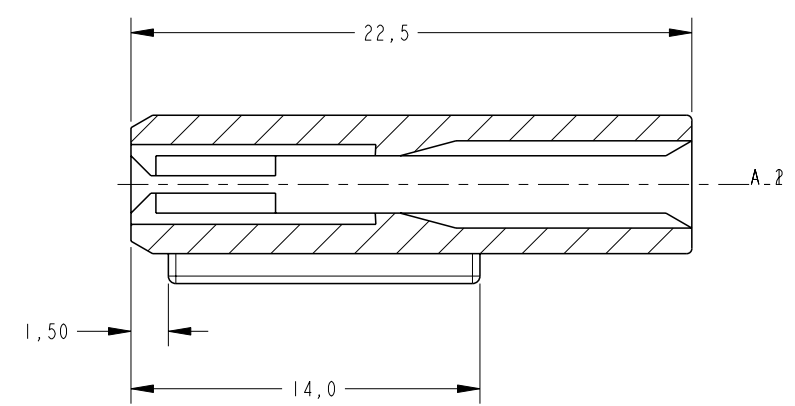
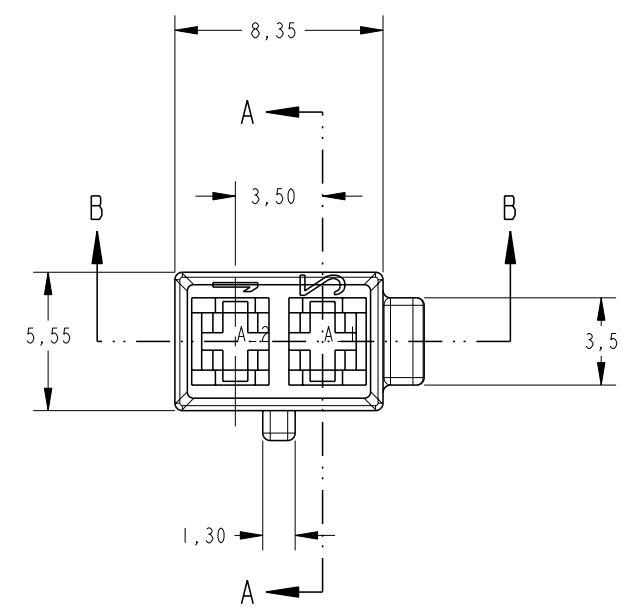
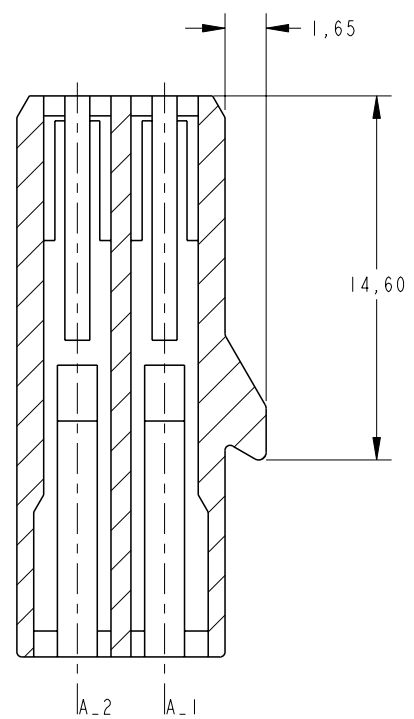
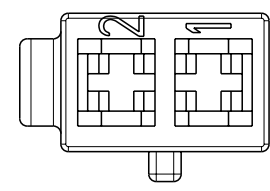


THIS DRAWING IS UNPUBLISHED. RELEASED FOR PUBLICATION 20
 © COPYRIGHT 20 ALL RIGHTS RESERVED.

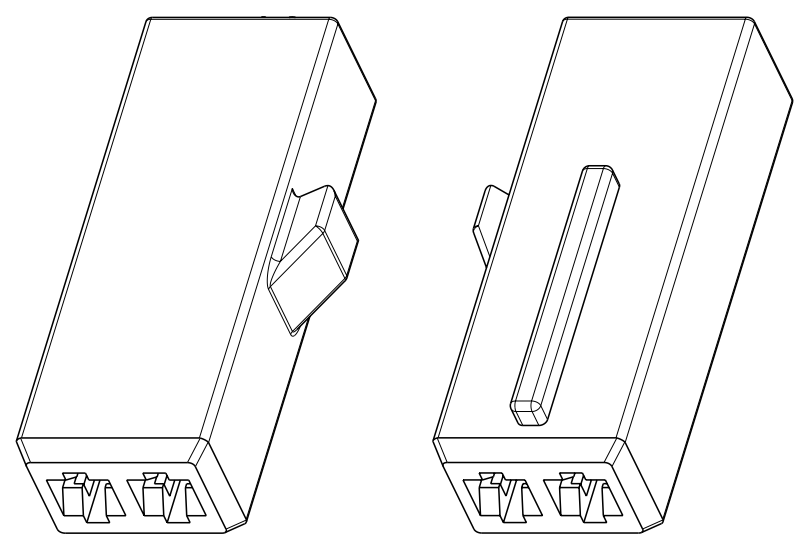
LOC	DIST	REVISIONS			
P	LTR	DESCRIPTION	DATE	DWN	APVD
AP	-	A	ECO-12-009549	21MAY2012	PP GOJ



SECTION A-A



SECTION B-B



PERSPECTIVE VIEW
SCALE 5:1

GRAVAÇÃO MARKING
LOGOTIPO AMP AMP LOGO
CÓDIGO PAÍS PRODUTOR MANUFACTURER COUNTRY CODE
NOMENCLATURA MATERIAL MATERIAL NOMENCLATURE
NÚMERO COMPONENTE AMP AMP COMPONENT NUMBER
NÚMERO CAVIDADE CAVITY NUMBER
IDENTIFICAÇÃO CIRCUITO CIRCUIT IDENTIFICATION
LOGOTIPO VW VW LOGO
NÚMERO PEÇA CLIENTE CUSTOMER PART NUMBER

PRETO BLACK	PA 6.6	493223-1
FINISH	MATERIAL	PART NUMBER

THIS DRAWING IS A CONTROLLED DOCUMENT.		DWN 21MAY1997 M.R. BRIZ	TE Connectivity
DIMENSIONS: mm		CHK 26 JUN 1997 J.R. GOLDSCHMIDT	
TOLERANCES UNLESS OTHERWISE SPECIFIED:		APVD 20AUG1997 A. VICENZA	
0 PLC ± 1 PLC ±0,3 2 PLC ±0,2 3 PLC ± 4 PLC ± ANGLES ±2° FINISH		NAME	
MATERIAL	SEE TABLE	WEIGHT -	HOUSING, 2 POSN., MICRO TIMER. REC.
CUSTOMER DRAWING		SIZE A2	RESTRICTED TO
SCALE 5:1		CAGE CODE 00779	DRAWING NO. 493223C
SHEET 1 OF 1		REV A	