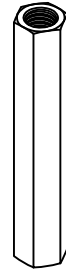
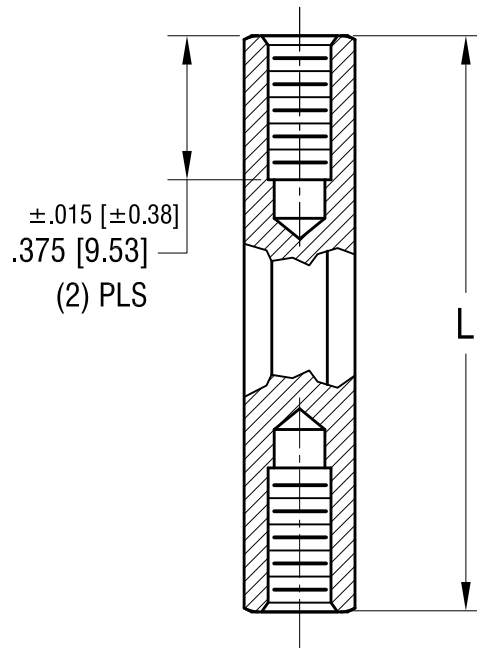
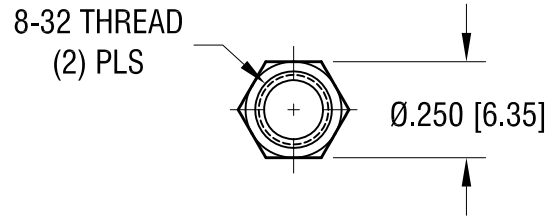


THIS DOCUMENT IS THE PROPERTY OF
KEYSTONE ELECTRONICS CORP. AND
SHALL NOT BE REPRODUCED, DISTRIBUTED
OR USED AS A BASIS FOR MANUFACTURE
WITHOUT PRIOR WRITTEN PERMISSION
FROM KEYSTONE ELECTRONICS CORP.

ACTUAL SIZE



P/N 2220



PART NO.	'L' DIM.
2220	1.500 [38.10]
2221	2.000 [50.80]

KEYSTONE ELECTRONICS CORP.
www.keyelco.com • NEW HYDE PARK NY 11040 • Tel (516)328-7500

PART NAME: **THREADED HEX STANDOFF**

MATERIAL: **LEAD FREE ALUMINUM**

FINISH: **CLEAR IRIDITE**

DRN BY: **BOONE** DATE: **2.12.98**

APP'D: **RH** SCALE: **2X**

TOLERANCES INCH [MM]
DECIMAL ± .005 [± 0.13]
ANGULAR ± 1°
UNLESS OTHERWISE SPECIFIED

CODE: **C**

DWG NO.: **2220-2221**

DATE	DESCRIPTION	REV.
1.03.24	CHANGE AS PER ECN 24-004	A