

# HC-B16-HCLFD-PR-BK - Protective cover



1414632

<https://www.phoenixcontact.com/us/products/1414632>

Please be informed that the data shown in this PDF document is generated from our online catalog. Please find the complete data in the user documentation. Our general terms of use for downloads are valid.



Protective cover B16, for double locking latch, protective cover material: PA, height: 21.6 mm, seal: yes

## Commercial data

Item number	1414632
Packing unit	1 pc
Sales key	BF66
Product key	BF7AZC
Catalog page	Page 654 (C-2-2019)
GTIN	4055626030654
Weight per piece (including packing)	57 g
Weight per piece (excluding packing)	37 g
Customs tariff number	85389099
Country of origin	DE

# HC-B16-HCLFD-PR-BK - Protective cover



1414632

<https://www.phoenixcontact.com/us/products/1414632>

## Technical data

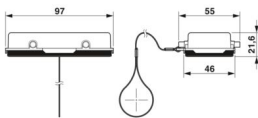
### Notes

General	Protective cover for supporting base element with double locking latch
---------	--

### Product properties

Product type	Protective cover
Housing type	Protective cover
Type	B16
Seal present	yes

### Dimensions

Dimensional drawing	
Width	46 mm
Height	21.6 mm
Length	97 mm
Diameter	30 mm

### Material specifications

Material Protective cover	PA
Flammability rating according to UL 94	HB
Seal material	NBR
Material, protective cover	PA

### Mechanical properties

#### Mechanical data

Locking type	Pin
--------------	-----

### Environmental and real-life conditions

#### Ambient conditions

Degree of protection	IP66
Ambient temperature (operation)	-20 °C ... 100 °C

### Mounting

Assembly note	Plastic protective cover for short-term protection
---------------	--

# HC-B16-HCLFD-PR-BK - Protective cover

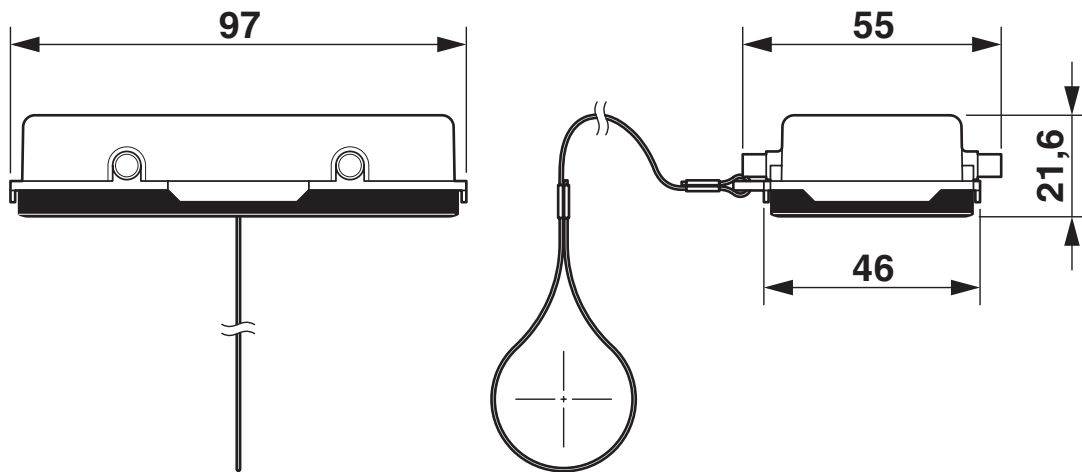


1414632

<https://www.phoenixcontact.com/us/products/1414632>

## Drawings

Dimensional drawing



Dimensional drawing

# HC-B16-HCLFD-PR-BK - Protective cover



1414632

<https://www.phoenixcontact.com/us/products/1414632>

## Classifications

### ECLASS

ECLASS-11.0	27440208
ECLASS-13.0	27440208

### ETIM

ETIM 8.0	EC002314
----------	----------

### UNSPSC

UNSPSC 21.0	39121400
-------------	----------

# HC-B16-HCLFD-PR-BK - Protective cover



1414632

<https://www.phoenixcontact.com/us/products/1414632>

## Environmental product compliance

### EU RoHS

Fulfills EU RoHS substance requirements	Yes, No exemptions
---	--------------------

### China RoHS

Environment friendly use period (EFUP)	EFUP-E
	No hazardous substances above the limits

### EU REACH SVHC

REACH candidate substance (CAS No.)	No substance above 0.1 wt%
-------------------------------------	----------------------------

Phoenix Contact 2024 © - all rights reserved  
<https://www.phoenixcontact.com>

Phoenix Contact USA  
586 Fulling Mill Road  
Middletown, PA 17057, United States  
(+717) 944-1300  
[info@phoenixcon.com](mailto:info@phoenixcon.com)