

6-1415899-2 ✓ ACTIVE

SCHRACK | SCHRACK Power PCB Relay RZ

TE Internal #: 6-1415899-2

General Purpose Power Relay, Monostable, .4 W Coil, 200 ohm Coil Resistance, UL Coil Insulation Class F, SCHRACK Power PCB Relay RZ, Power Relays

[View on TE.com >](#)



Relays & Contactors > Relays > Power Relays > PCB Power Relay: 12-16 Amp, Monostable



Relay Type: **General Purpose Power Relay**

Coil Magnetic System: **Monostable**

Coil Power Rating DC: **.4 W**

Coil Resistance: **200 Ω**

Coil Special Features: **UL Coil Insulation Class F**

[All PCB Power Relay: 12-16 Amp, Monostable \(78\)](#)

Features

Product Type Features

| | |
|------------|-----------------------------|
| Relay Type | General Purpose Power Relay |
|------------|-----------------------------|

Configuration Features

| | |
|-------------------------|----------------------------|
| Coil Special Features | UL Coil Insulation Class F |
| Contact Arrangement | 1 Form A SPST-NO |
| Contact Number of Poles | 1 |

Electrical Characteristics

| | |
|---|--------------|
| Insulation Initial Dielectric Between Open Contacts | 1000 Vrms |
| Contact Limiting Making Current | 30 A |
| Contact Limiting Short-Time Current | 16 A |
| Contact Limiting Continuous Current | 16 A |
| Insulation Initial Dielectric Between Contacts & Coil | 5000 Vrms |
| Contact Limiting Breaking Current | 16 A |
| Coil Power Rating DC | .4 W |
| Coil Resistance | 200 Ω |
| Coil Voltage Rating | 9 VDC |
| Contact Current Rating | 16 A |
| Contact Switching Voltage (Max) | 400 VAC |



| | |
|------------------------|---------|
| Contact Voltage Rating | 250 VAC |
|------------------------|---------|

Body Features

| | |
|----------------|---------------|
| Product Weight | 10 g[.353 oz] |
|----------------|---------------|

Contact Features

| | |
|------------------|-----------|
| Contact Material | AgNi90/10 |
|------------------|-----------|

Termination Features

| | |
|-----------------------|-----------------|
| Relay Connection Type | PCB Termination |
|-----------------------|-----------------|

| | |
|------------------------|-------------|
| Terminal Configuration | Solder Pins |
|------------------------|-------------|

Mechanical Attachment

| | |
|--------------------|-----------------------|
| Product Mount Type | Printed Circuit Board |
|--------------------|-----------------------|

Dimensions

| | |
|---|----------------|
| Insulation Clearance Between Contact & Coil | 10 mm[.394 in] |
|---|----------------|

| | |
|--|----------------|
| Insulation Creepage Between Contact & Coil | 10 mm[.394 in] |
|--|----------------|

| | |
|---------------|----------------|
| Product Width | 12.7 mm[.5 in] |
|---------------|----------------|

| | |
|----------------|----------------|
| Product Length | 29 mm[1.14 in] |
|----------------|----------------|

| | |
|----------------|------------------|
| Product Height | 15.7 mm[.618 in] |
|----------------|------------------|

Usage Conditions

| | |
|--------------------------------------|------|
| Environmental Category of Protection | RTII |
|--------------------------------------|------|

| | |
|---|----------------|
| Environmental Ambient Temperature (Max) | 105 °C[221 °F] |
|---|----------------|

Operation/Application

| | |
|--------------|----|
| Current Type | DC |
|--------------|----|

| | |
|----------------|-------------|
| Solder Process | Wave Solder |
|----------------|-------------|

| | |
|----------------------|------------|
| Coil Magnetic System | Monostable |
|----------------------|------------|

Packaging Features

| | |
|------------------|--------------|
| Packaging Method | Carton, Tube |
|------------------|--------------|

Other

| | |
|---------------------------|------------|
| Length Class (Mechanical) | 25 – 30 mm |
|---------------------------|------------|

| | |
|---------------------------|------------|
| Height Class (Mechanical) | 15 – 16 mm |
|---------------------------|------------|

| | |
|-------------------------|-----------|
| Coil Power Rating Class | .3 – .4 W |
|-------------------------|-----------|

| | |
|--------------------------|------------|
| Width Class (Mechanical) | 12 – 16 mm |
|--------------------------|------------|

| | |
|-----------------------|------|
| Contact Current Class | 16 A |
|-----------------------|------|

Product Compliance

[For compliance documentation, visit the product page on TE.com>](#)

| | |
|---|---|
| EU RoHS Directive 2011/65/EU | Compliant |
| EU ELV Directive 2000/53/EC | Compliant |
| China RoHS 2 Directive MIIT Order No 32, 2016 | No Restricted Materials Above Threshold |
| EU REACH Regulation (EC) No. 1907/2006 | Current ECHA Candidate List: JUNE 2024 (241) Candidate List Declared Against: JUNE 2024 (241) Does not contain REACH SVHC |
| Halogen Content | Not Low Halogen - contains Br or Cl > 900 ppm. |
| Solder Process Capability | Wave solder capable to 265°C |

Product Compliance Disclaimer

This information is provided based on reasonable inquiry of our suppliers and represents our current actual knowledge based on the information they provided. This information is subject to change. The part numbers that TE has identified as EU RoHS compliant have a maximum concentration of 0.1% by weight in homogenous materials for lead, hexavalent chromium, mercury, PBB, PBDE, DBP, BBP, DEHP, DIBP, and 0.01% for cadmium, or qualify for an exemption to these limits as defined in the Annexes of Directive 2011/65/EU (RoHS2). Finished electrical and electronic equipment products will be CE marked as required by Directive 2011/65/EU. Components may not be CE marked. Additionally, the part numbers that TE has identified as EU ELV compliant have a maximum concentration of 0.1% by weight in homogenous materials for lead, hexavalent chromium, and mercury, and 0.01% for cadmium, or qualify for an exemption to these limits as defined in the Annexes of Directive 2000/53/EC (ELV). Regarding the REACH Regulation, the information TE provides on SVHC in articles for this part number is based on the latest European Chemicals Agency (ECHA) 'Guidance on requirements for substances in articles' posted at this URL: <https://echa.europa.eu/guidance-documents/guidance-on-reach>

Compatible Parts

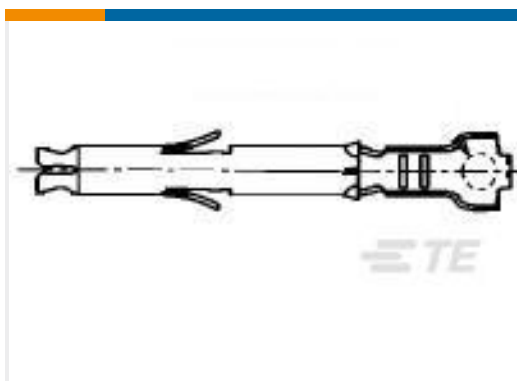
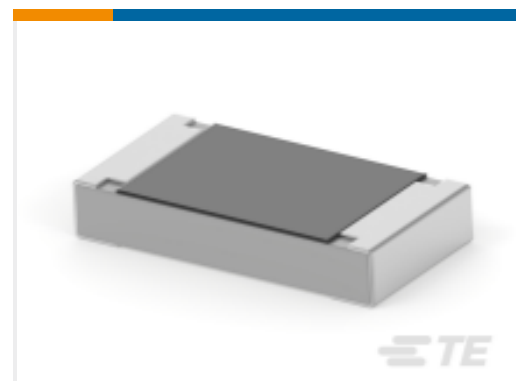


Also in the Series | [SCHRACK Power PCB Relay RZ](#)



Power Relays(86)

Customers Also Bought

TE Part #4-1415899-9
PCB Power Relay: 12-16 Amp,
MonostableTE Part #1625984-5
HSA50 10R 5%TE Part #4-1622820-3
3520 39R 5%TE Part #1625958-4
HB01RE 100M 1% 100PPMTE Part #170366-1
MINI UNIVERSAL M-N-L SOCKET LPTE Part #1625960-9
HBA RE 47M 1% 100PPMTE Part #2176344-9
CRGCO 1206 22R 5%TE Part #1546670-6
6P .437" DR BARRIER, W/BND SCRWTE Part #9-2158000-1
RZ03-1AL-D012-R

Documents

CAD Files

Customer View Model

[ENG_CVM_CVM_6-1415899-2_C.3d_igs.zip](#)

English

Customer View Model

[ENG_CVM_CVM_6-1415899-2_C.3d_stp.zip](#)

English

Customer View Model

[ENG_CVM_CVM_6-1415899-2_C.2d_dxf.zip](#)



English

[3D PDF](#)

[3D](#)

By downloading the CAD file I accept and agree to the [Terms and Conditions](#) of use.

Datasheets & Catalog Pages

[Schrack Power PCB Relay RZ Series flyer](#)

English

[Schrack Power PCB Relay RZ Series flyer](#)

[Power PCB Relay RZH 105C 16A](#)

English

Product Specifications

[Definitions General Purpose Relays](#)

English

Agency Approvals

[VDE Certificate](#)

English