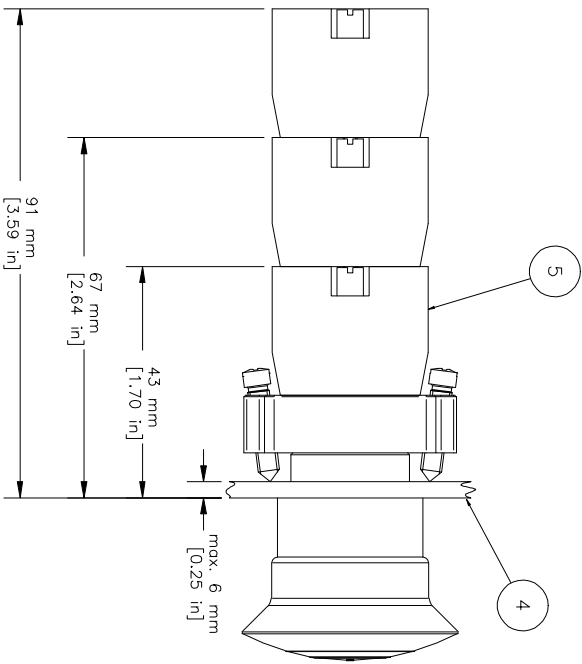
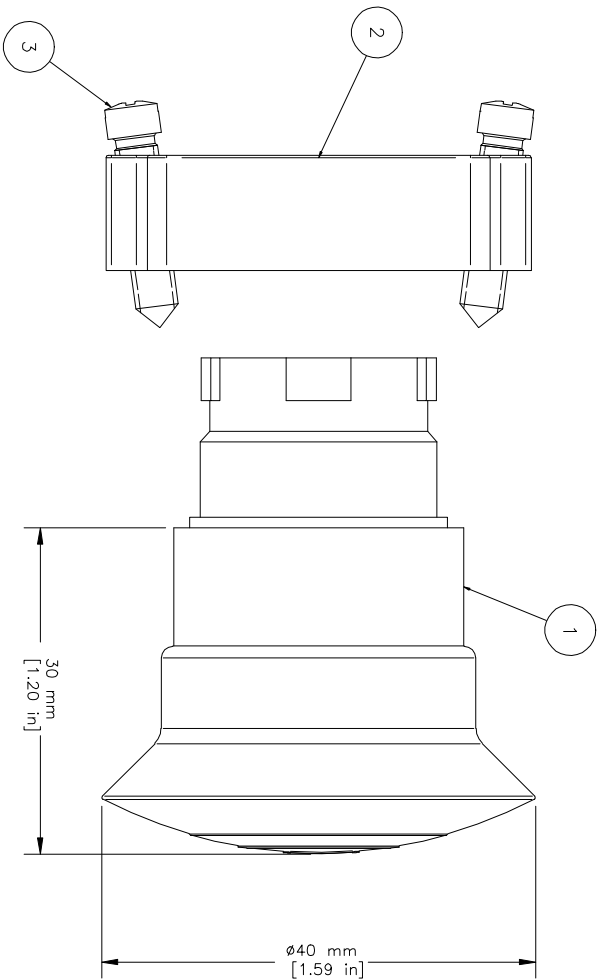
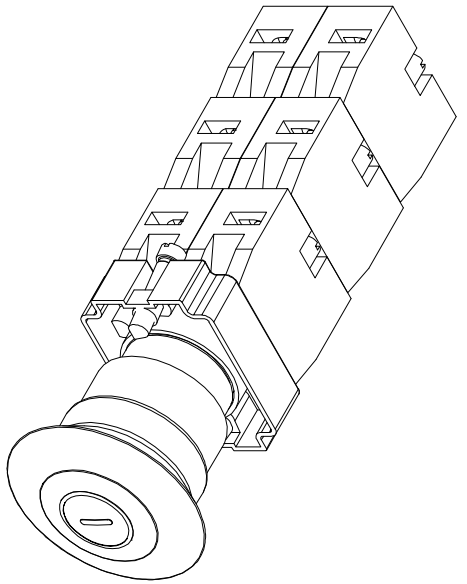


REVISIONS FOR DWG # 1PB-2AMPPx

REV	CH. NO.	DESCRIPTION	DATE	REVISED BY
-	-	ORIGINAL DESIGN	09/17/07	Phil E.



ITEM	DESCRIPTION	CAT. NO.	COLOR	MIN. QTY.	MAX. QTY.
1	Mushroom Push-Pull Operator (comes with mounting bracket 2BRK)	2AMP P1	White	1	1
		2AMP P2	Black	1	1
		2AMP P3	Green	1	1
		2AMP P4	Red	1	1
		2AMP P6	Blue	1	1
2AMP P8	Yellow	1	1		
2	Mounting Bracket	2BRK	-	1	1
3	Mounting Bracket Screws	Incl. in 2BRK	-	2	2
4	Panel	-	-	-	-
		S1	Green	1	6
S2	Red	1	6		
S3	Green/Gray	1	6		
S4	Red/Gray	1	6		
5	Switch Contacts				

UNLESS OTHERWISE SPECIFIED
 • ALL DIMENSIONS ARE IN MILLIMETERS
 • THIRD ANGLE PROJECTION

TOLERANCE

XX	±1 mm
XX X	±0.5 mm
XX.XX	±0.2 mm
ALL	- mm

M-H-R-C

This Drawing is the property of
Attech Corp.
 35 Royal Road
 Flemington NJ 08822-6000
 (908) 806-9400 • Fax (908) 806-9490

TITLE: 22mm Non-Illuminated Mushroom Push-Pull Metal Operators 2AMPPx (x=color)

DRAWN BY: Philipp Ernstberger 09/17/07
 CHECKED BY: Laszlo Gyorgypal 09/17/07
 RELEASED BY: Laszlo Gyorgypal 09/17/07

DRAWING NO.: 1PB-2AMPPx
 SCALE: - SHEET: 1 OF: 1

REV: -

Mouser Electronics

Authorized Distributor

Click to View Pricing, Inventory, Delivery & Lifecycle Information:

[Altech:](#)

[2AMPP4](#) [2AMPP2](#)