

354940-1 ✓ ACTIVE

AMP

TE Internal #: 354940-1

Commercial Crimp Tooling, Operator Releasable & Adjustable, Removable/Interchangeable, Manual, PRO-CRIMPER Hand Tool, Hand Crimping Tools

[View on TE.com >](#)



Application Tooling > Hand Crimping Tools



Tool Grade: **Commercial Crimp Tooling**

Ratchet Configuration: **Operator Releasable & Adjustable**

Die Sets Type: **Removable/Interchangeable**

TE Certification: **Cannot be Certified**

Power Technology Type: **Manual**

Features

Other

Tool Grade	Commercial Crimp Tooling
Ratchet Configuration	Operator Releasable & Adjustable
Die Sets Type	Removable/Interchangeable
TE Certification	Cannot be Certified
Power Technology Type	Manual
Tooling Type	PRO-CRIMPER Hand Tool

Product Compliance

[For compliance documentation, visit the product page on TE.com>](#)

EU RoHS Directive 2011/65/EU	Compliant
EU ELV Directive 2000/53/EC	Out of Scope
China RoHS 2 Directive MIIT Order No 32, 2016	No Restricted Materials Above Threshold
EU REACH Regulation (EC) No. 1907/2006	Current ECHA Candidate List: JUNE 2024 (241) Candidate List Declared Against: JUL 2021 (219) Does not contain REACH SVHC
Halogen Content	Low Halogen - Br, Cl, F, I < 900 ppm per homogenous material. Also BFR/CFR/PVC Free

Solder Process Capability

Not applicable for solder process capability

Product Compliance Disclaimer

This information is provided based on reasonable inquiry of our suppliers and represents our current actual knowledge based on the information they provided. This information is subject to change. The part numbers that TE has identified as EU RoHS compliant have a maximum concentration of 0.1% by weight in homogenous materials for lead, hexavalent chromium, mercury, PBB, PBDE, DBP, BBP, DEHP, DIBP, and 0.01% for cadmium, or qualify for an exemption to these limits as defined in the Annexes of Directive 2011/65/EU (RoHS2). Finished electrical and electronic equipment products will be CE marked as required by Directive 2011/65/EU. Components may not be CE marked. Additionally, the part numbers that TE has identified as EU ELV compliant have a maximum concentration of 0.1% by weight in homogenous materials for lead, hexavalent chromium, and mercury, and 0.01% for cadmium, or qualify for an exemption to these limits as defined in the Annexes of Directive 2000/53/EC (ELV). Regarding the REACH Regulation, the information TE provides on SVHC in articles for this part number is based on the latest European Chemicals Agency (ECHA) 'Guidance on requirements for substances in articles' posted at this URL: <https://echa.europa.eu/guidance-documents/guidance-on-reach>

Compatible Parts



TE Part # 170204-4
170262-4 LP E1CRIMP SNAP IN



TE Part # 130230
SOLIS R 12-10 6MM



TE Part # 170204-1
EIS RECPT CONTACT



TE Part # 170204-2
EIS CONTACT



TE Part # 151730
22-16 PIDG R/T 2BA NYLON EXP.1



TE Part # 150072-1
22-16 PIDG R/T 7/16" STUD EXP



TE Part # 696451-1
PIDG 22-16 K-D,NI-PL



TE Part # 1-1377174-1
SMP 0-0165168-0



TE Part # 322419
TERMINAL,BUDG R 16-14 4



TE Part # 130232
SOLIS R 12-10 10MM



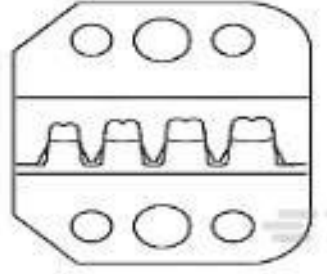
TE Part # 1-1377174-7
SMP 0-0165049-0



TE Part # 130228
SOLIS R 12-10 5MM




TE Part # 2063013-5
SDE DIE SET, 10.80 HEX



TE Part # 58628-2
PROCRMP DIESET 26-14 ULTRAFAST



TE Part # 91900-1
PREMIUM SDE DIE, FIBER OPTIC



TE Part # 51565-1
SUB MIN SOCKET



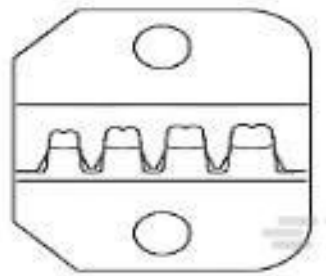
TE Part # 226537-1
SUB MIN PIN MULTIMATE



TE Part # 201143-5
MIN PIN



TE Part # 1-322419-2
BUDGET RING 16-14 6

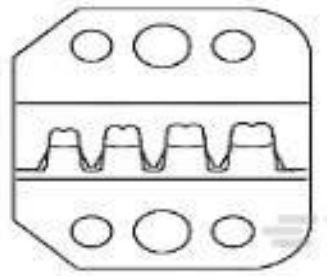


TE Part # 1804039-1
SDE DIE, RAYCHM 22-10

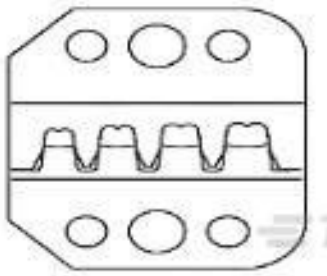
Customers Also Bought



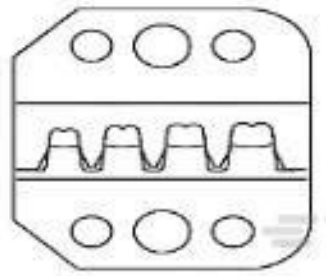
TE Part #90548-2
PROCRIMPER DIE ASSY UNIV MNL



TE Part #58529-2
PROCRIMP DIE AMPSEAL



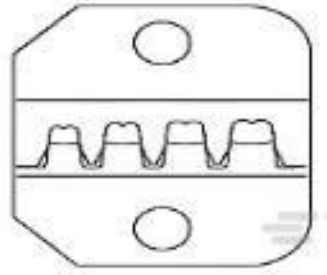
TE Part #90547-2
PROCRIMPER DIE ASSY UNIV MNL



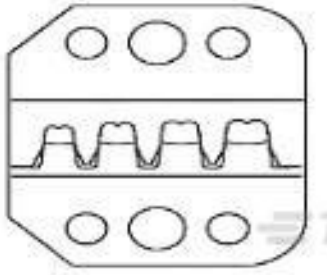
TE Part #90758-2
PROCRIMP DIE MINI UNIV MNL



TE Part #90546-2
PROCRIMPER DIE ASSY UNIV MNL



TE Part #58423-1
DIE, RBY IS9252



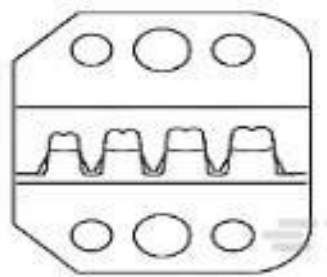
TE Part #58583-2
PROCRIMP DIE SUPERSEAL 1.5 SER



TE Part #90759-2
PROCRIMP DIE MINI UNIV MNL



TE Part #1-2364575-6
AVH19 FLT SS LK PWR GRN 24V26A



TE Part #58628-2
PROCRMP DIESET 26-14 ULTRAFAST

Documents



Datasheets & Catalog Pages

[1-1773865-2_1015_Commercial Manual Hand Tools](#)

English

Bottoming Dies

English

[PIDG TERMINALS & SPLICES Quick Reference Guide](#)

English

Instruction Sheets

[Instruction Sheet \(U.S.\)](#)

English

[Instruction Sheet \(U.S.\)](#)

English

[Instruction Sheet \(U.S.\)](#)

English

[PRO-CRIMPER II Hand Crimping Tool Frame Assembly 354940-1](#)

English

[Instruction Sheet \(U.S.\)](#)

English