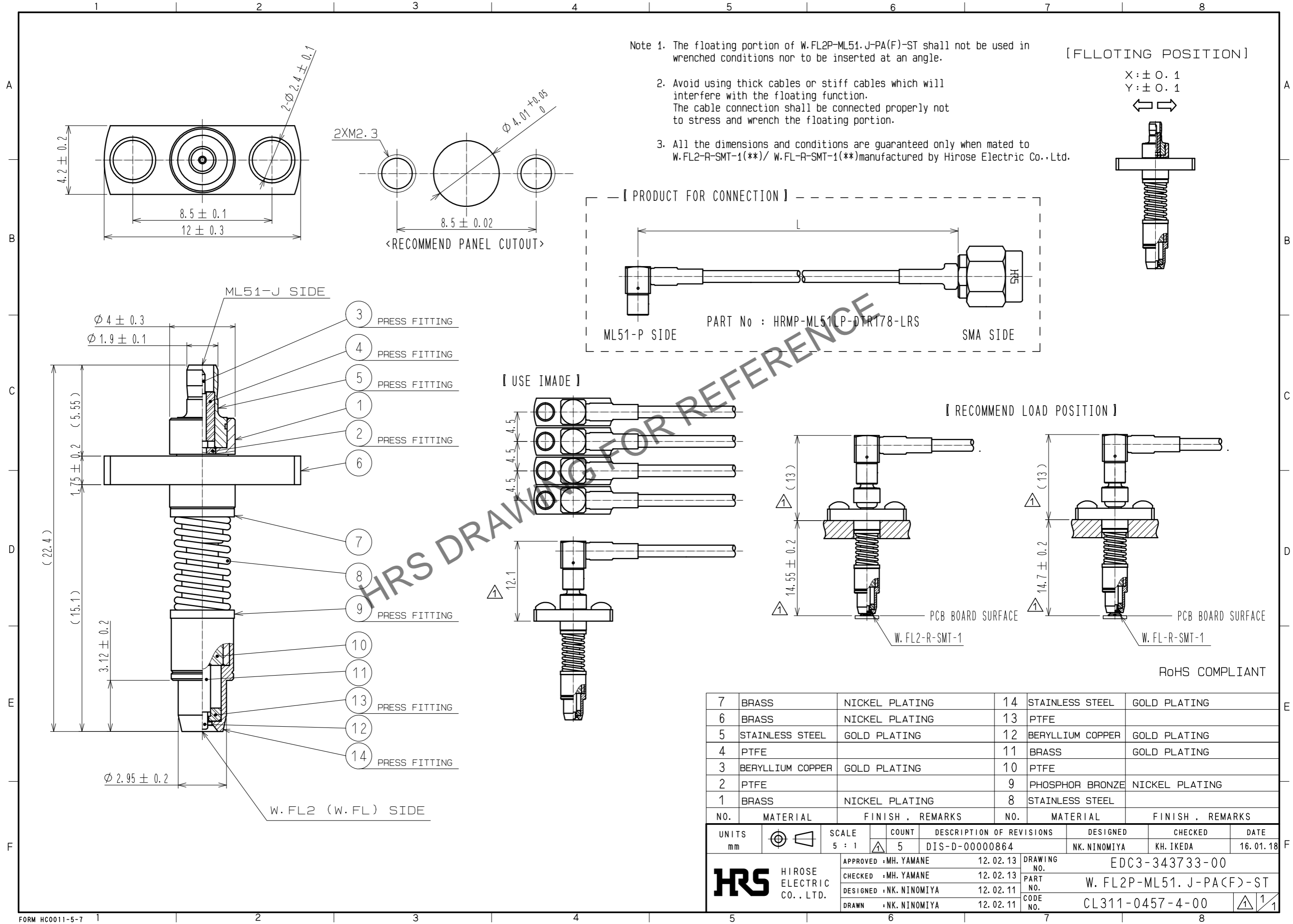


Jul.1.2024 Copyright 2024 HIROSE ELECTRIC CO., LTD. All Rights Reserved.
In case of consideration for using Automotive equipment / device which demand high reliability, kindly contact our sales window correspondents.

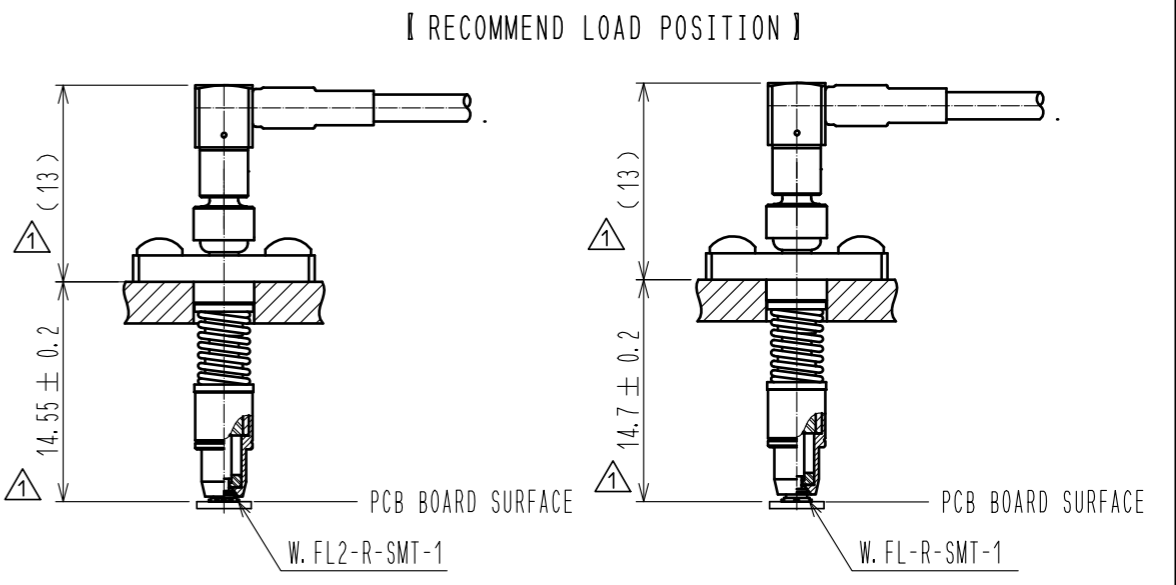
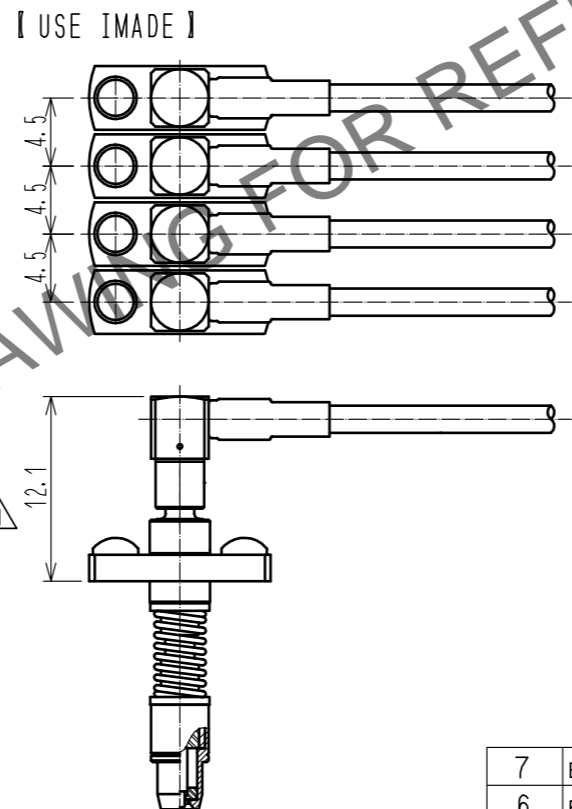
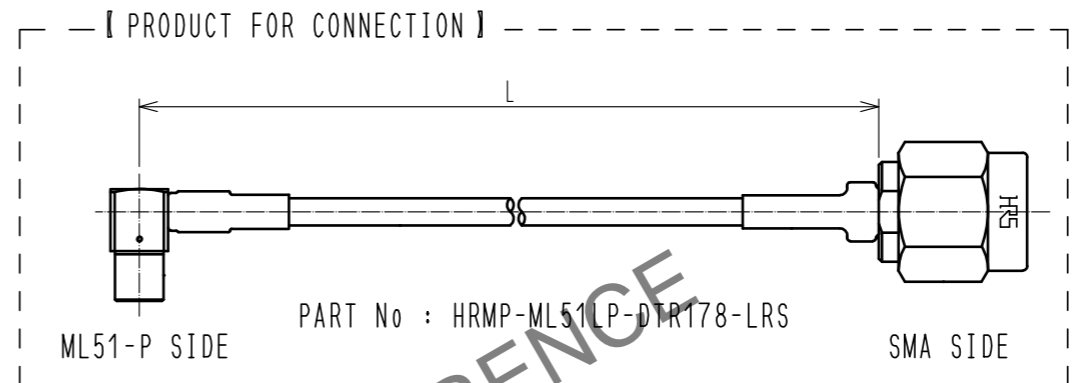


Note 1. The floating portion of W.FL2P-ML51.J-PA(F)-ST shall not be used in wrenched conditions nor to be inserted at an angle.

2. Avoid using thick cables or stiff cables which will interfere with the floating function. The cable connection shall be connected properly not to stress and wrench the floating portion.

3. All the dimensions and conditions are guaranteed only when mated to W.FL2-R-SMT-1(**)/ W.FL-R-SMT-1(**) manufactured by Hirose Electric Co.,Ltd.

[FLOTTING POSITION]
X: ± 0.1
Y: ± 0.1



RoHS COMPLIANT

7	BRASS	NICKEL PLATING	14	STAINLESS STEEL	GOLD PLATING
6	BRASS	NICKEL PLATING	13	PTFE	
5	STAINLESS STEEL	GOLD PLATING	12	BERYLLIUM COPPER	GOLD PLATING
4	PTFE		11	BRASS	GOLD PLATING
3	BERYLLIUM COPPER	GOLD PLATING	10	PTFE	
2	PTFE		9	PHOSPHOR BRONZE	NICKEL PLATING
1	BRASS	NICKEL PLATING	8	STAINLESS STEEL	
NO.	MATERIAL	FINISH . REMARKS	NO.	MATERIAL	FINISH . REMARKS

UNITS mm		SCALE 5 : 1	COUNT 5	DESCRIPTION OF REVISIONS DIS-D-00000864	DESIGNED NK. NINOMIYA	CHECKED KH. IKEDA	DATE 16.01.18
HRS HIROSE ELECTRIC CO., LTD.		APPROVED : MH. YAMANE	12.02.13	DRAWING NO. EDC3-343733-00			
		CHECKED : MH. YAMANE	12.02.13	PART NO. W.FL2P-ML51.J-PA(F)-ST			
		DESIGNED : NK. NINOMIYA	12.02.11	CODE NO. CL311-0457-4-00			
		DRAWN : NK. NINOMIYA	12.02.11			1/1	