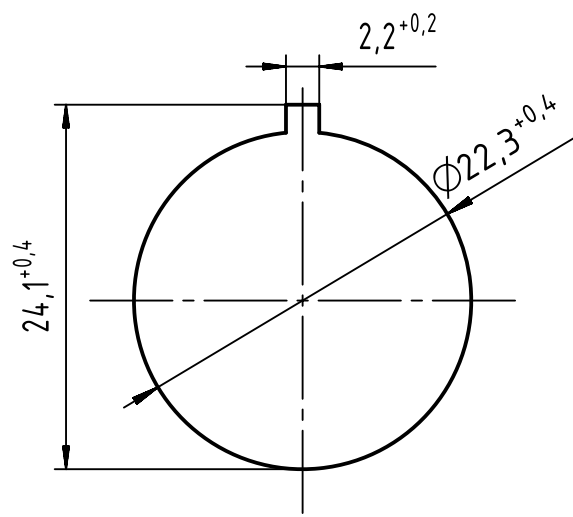


Input: 12-24V DC

PANEL CUT DIMENSIONS



	All rights reserved Department EL PD	All Dimensions in mm Original Size DIN A4		Scale 2:1	Free size tol.	Ref. Sub.
		Created by FARCASIU	Inspected by PRIESTER	Standardisation SCHMIDTM	Date 2018-08-28	State Final Release
HARTING Electric GmbH & Co. KG D-32339 Espelkamp		Title har-port USB charger 5V/1,5A silver			Doc-Key / ECM-Nr. 100797668/UGD/000/A 500000138284	
		Type TB	Number 09 45 452 1979		Rev. A	Page 1/1

# Mouser Electronics

Authorized Distributor

Click to View Pricing, Inventory, Delivery & Lifecycle Information:

[HARTING:](#)

[09454521979](#)