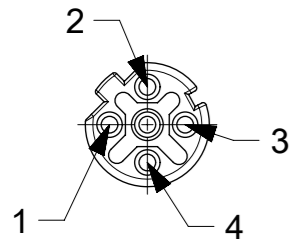


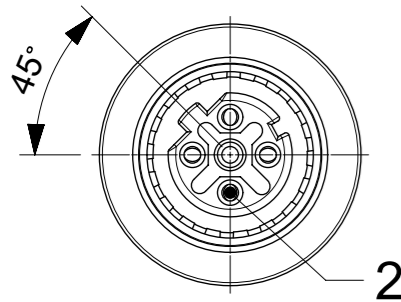
**4 POLE D-CODE**

M12 FEMALE



PIN	WIRE COLOR
1	OR
2	GN
3	OR/WH
4	GN/WH
5	-

**CODING ACCORDING TO IEC-61076-2-101**



**PART No MATRIX**

**E Y 0 A 0 0 0 X X X X X X X**

EY0: ETHERNET ULTRA LOCK 2.0 SINGLE ENDED

WIRING: A = 4 POLE STRAIGHT WIRED

HEADER: 000 = FEMALE STRAIGHT

CABLE: 04 = ETHERNET CAT-5E 2x2x24AWG TPE TEAL

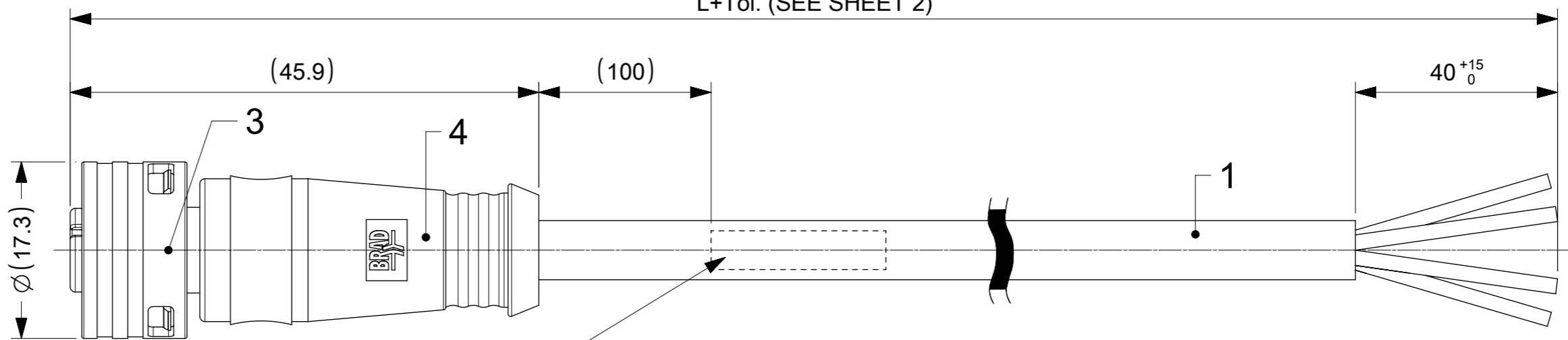
UNIT: M = METER F = FEET C = CENTIMETER T = 10M

LENGTH: EXAMPLE: 010 = 1 m 050 = 5 m 100 = 10 m

**OPTIONS**

OVERMOLD: BLANK = STANDARD BRAD: - YELLOW IN THE USA - BLACK IN EUROPE  
A = GREY  
E = RED  
G = BLACK  
Y = YELLOW  
H = STD. COLOUR WITH TWO ID-TAG CARRIERS

L+Tol. (SEE SHEET 2)

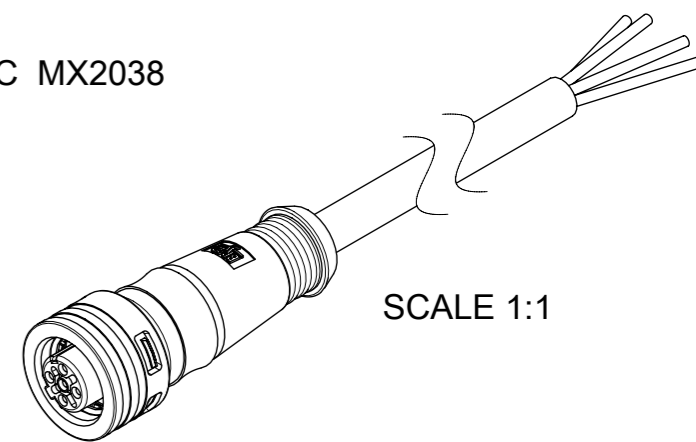


**CABLE PRINTING:**  
"MOLEX" "MOLEX P/N" "ENGINEERING NO." " MX CALENDAR YEAR CALENDAR WEEK"  
SECOND PRINT 300mm. AWAY

FOR EXAMPLE: MOLEX 1204000401 Y04000X04M010DC MX2038

**NOTES:**

- PARTS ACC. TO PRODUCT SPECIFICATION 1204000001 PS P10 AND IN STYLE OF IEC-61076-2-010
- BOM & PART LIST - SEE SHEET 2
- ELECTRICAL DATA: ACCORDING TO CAT5e ETHERNET STANDARD  
RATED VOLTAGE: 60V DC  
RATED CURRENT: 1.5A, DERATING HAS TO BE CONSIDERED  
OVERVOLTAGE CATEGORY: 3  
POLLUTION DEGREE: 3, ONLY IN MATED AND LOCKED CONDITION
- PROTECTION CLASS: IP 67, ONLY IN MATED AND LOCKED CONDITION
- TEMPERATURE RANGE:  
TEMPERATURE PLUG/SOCKET: -40 °C TO +85 °C  
TEMPERATURE CABLE: SEE CABLE LIST
- MECHANICAL OPERATIONS: 100 CYCLES
- MATES WITH ULTRA-LOCK M12 MALE RECEPTACLES
- PACKAGING: THE CORDSETS ARE SINGLE PACKED IN PLASTIC BAGS AND DELIVERED IN CARTON BOXES
- UL CSA FILE REGISTRATION PENDING



FUNCTIONAL SYMBOLS ▽/A = 0 ▽/E = 0 ▽/V = 0	THIS DRAWING CONTAINS INFORMATION THAT IS PROPRIETARY TO MOLEX ELECTRONIC TECHNOLOGIES, LLC AND SHOULD NOT BE USED WITHOUT WRITTEN PERMISSION	CURRENT REV DESC: NOTES AND CABLE LIST UPDATED		<b>molex</b>					
	DIMENSION UNITS: mm	SCALE: 2:1	CSE U12ET 4P DC FE STR TPE 1M SE UNSH TE						
	GENERAL TOLERANCES (UNLESS SPECIFIED)	ANGULAR TOL ± 1.0 °		PRODUCT CUSTOMER DRAWING					
	4 PLACES ±	3 PLACES ±		DOCUMENT NUMBER: 1204060001					
DIVISIONAL SYMBOLS	2 PLACES ± 0.05		1 PLACE ± 0.3		0 PLACES ± 0.5		DOC TYPE: PSD	DOC PART: 000	REVISION: A2
DRAFT WHERE APPLICABLE MUST REMAIN WITHIN DIMENSIONS		THIRD ANGLE PROJECTION	DRAWING: A3-SIZE	SERIES: 120406	MATERIAL NUMBER: SEE SHEET 2	CUSTOMER: GENERAL MARKET	SHEET NUMBER: 1 OF 2		

PART LIST		
MOLEX NO.	ENGINEERING NO.	LENGHT (MM)
1204060001	EY0A00004M006	600
1204060002	EY0A00004M010	1000
1204060003	EY0A00004M020	2000
1204060004	EY0A00004M050	5000
1204060005	EY0A00004M100	10000
1204060006	EY0A00004M250	25000
1204060007	EY0A00004M300	30000

MOLEX NO.	ENGINEERING NO.	LENGHT (MM)

MOLEX NO.	ENGINEERING NO.	LENGHT (MM)

CABLE LIST											
4P	5P	CABLE TYPE	DESCRIPTION	MATERIAL	FINISH/COLOR	FIXED INSTALLATION *		FLEXIBLE INSTALLATION **		DRAG CHAIN	
						MIN.	MAX.	MIN.	MAX.	MIN.	MAX.
X		04	CABLE ETHERNET CAT-5E TPE TEAL 2X2X24AWG D6.5	TPE	TEAL	-20°C	+75°C	-5°C	+75°C	-	-

CABLE LENGTH TOLERANCES	
LENGTH	TOLERANCE
0m-1m	+40 mm
>1m-5m	+60 mm
>5m-10m	+80 mm
>10m-20m	+140 mm
>20m-30m	+160 mm
>30m	+1% length

\* FIXED POSITION WITHOUT ACCIDENTAL CRUSHING OF VIBRATION.  
 \*\* FREE MOTION WITHOUT PERIODIC RECURRENCE OR FORCED GUIDANCE.

BILL OF MATERIAL:						
4P	5P	ITEM	QTY	DESCRIPTION	MATERIAL	FINISH/COLOR
X		1	-	CABLE	SEE CABLE LIST	SEE CABLE LIST
X		2	4/5	CONTACT 10 FE STA AU	BRASS	GOLD OVER NICKEL PLATED
X		3	1	PLG U12 4P DC FE PA UNSH	-	-
				PLG U12 5P DC FE PA UNSH		
X		4	1	OVERMOLD	TPC	SEE MATRIX
		-	2	I/D CARRIER DIA 4-7MMX30MM	PVC	TRANSPARENT

FUNCTIONAL SYMBOLS	THIS DRAWING CONTAINS INFORMATION THAT IS PROPRIETARY TO MOLEX ELECTRONIC TECHNOLOGIES, LLC AND SHOULD NOT BE USED WITHOUT WRITTEN PERMISSION					
△/A = 0	DIMENSION UNITS	SCALE	CURRENT REV DESC: NOTES AND CABLE LIST UPDATED			
△/E = 0	mm	1:1				
△/V = 0	GENERAL TOLERANCES (UNLESS SPECIFIED)					
DIVISIONAL SYMBOLS	ANGULAR TOL ± 1.0°		EC NO: 736602 DRWN: RSCHIEBER 2023/01/24 CHK'D: RSILLER 2023/01/31 APPR: RSILLER 2023/01/31			
	4 PLACES ±	INITIAL REVISION: DRWN: RSCHIEBER 2021/04/28 APPR: RSILLER 2021/05/05				
	3 PLACES ±					
	2 PLACES ± 0.05					
	1 PLACE ± 0.3	DOCUMENT NUMBER	DOC TYPE	DOC PART	REVISION	
0 PLACES ± 0.5	1204060001	PSD	000	A2		
DRAFT WHERE APPLICABLE MUST REMAIN WITHIN DIMENSIONS	THIRD ANGLE PROJECTION	DRAWING	SERIES	MATERIAL NUMBER	CUSTOMER	SHEET NUMBER
		A3-SIZE	120406	SEE PART LIST	GENERAL MARKET	2 OF 2