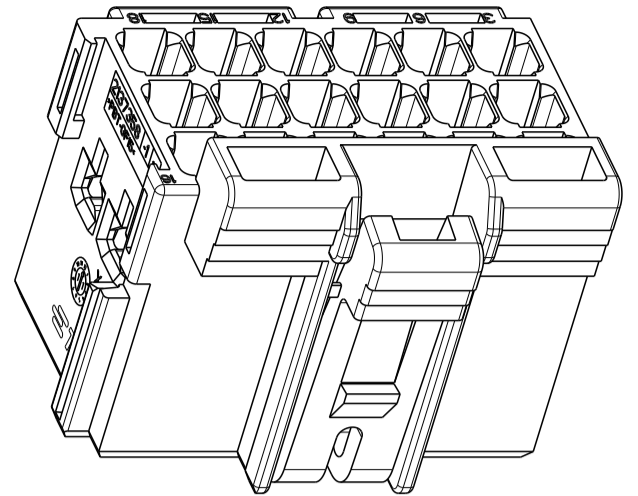
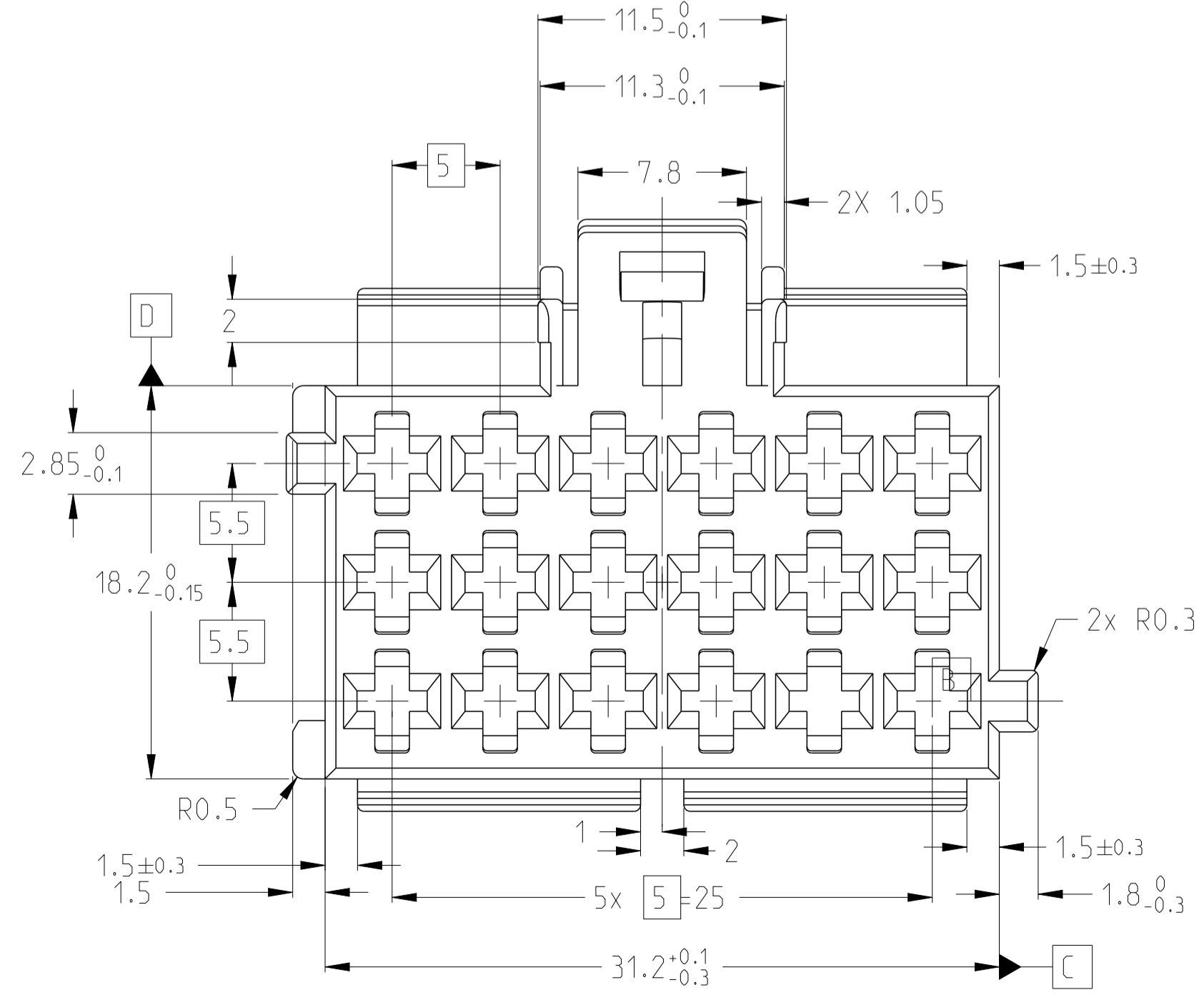
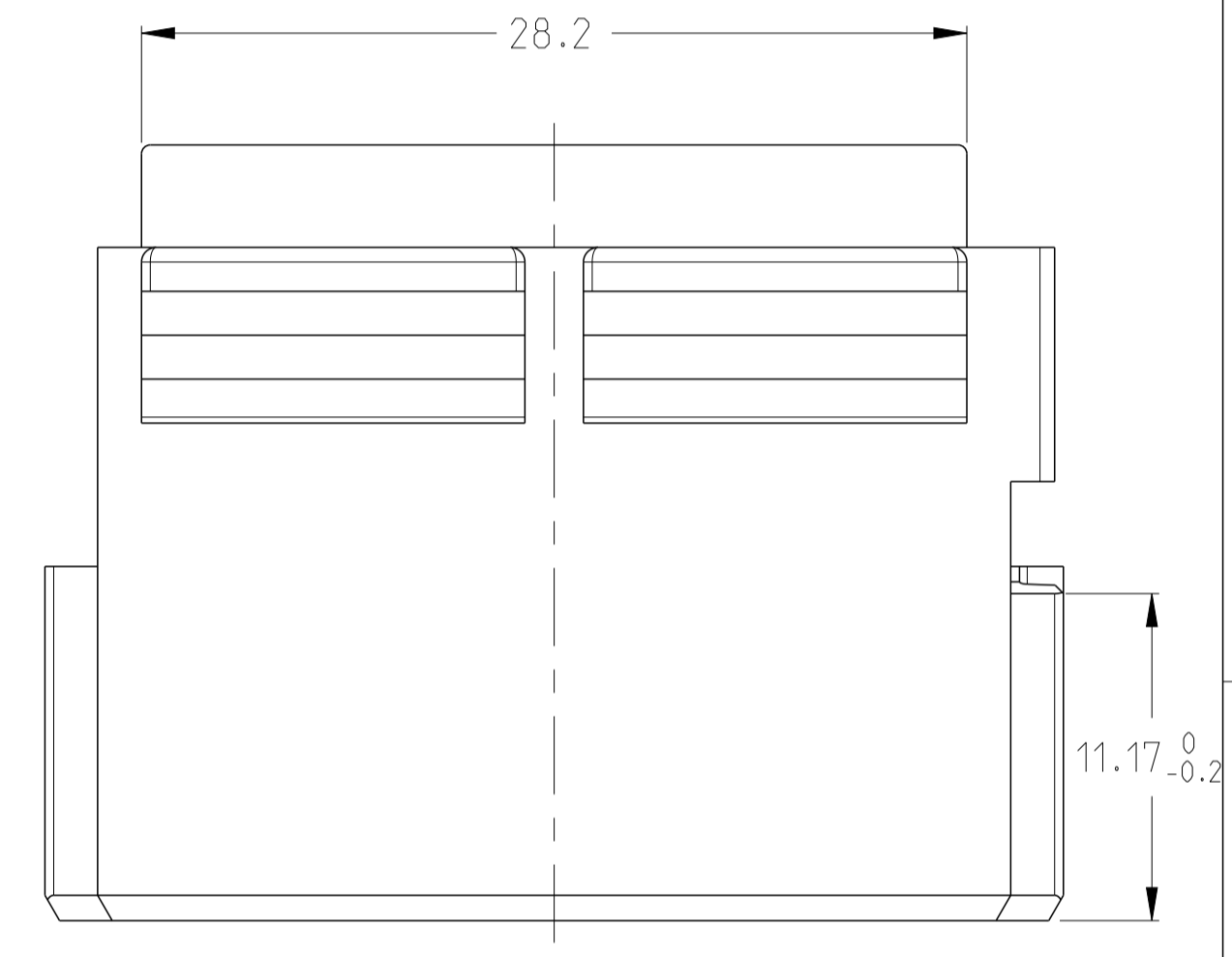
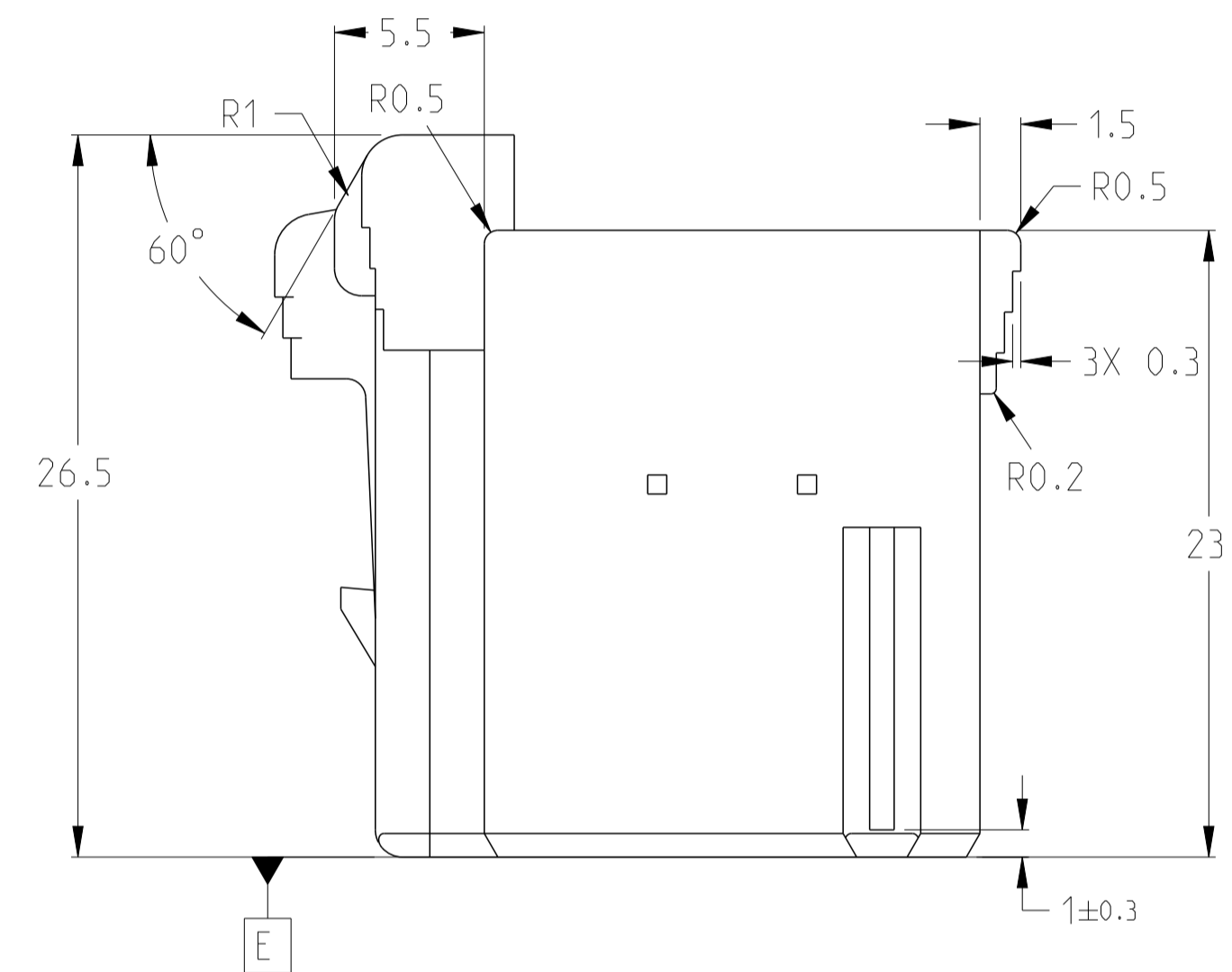
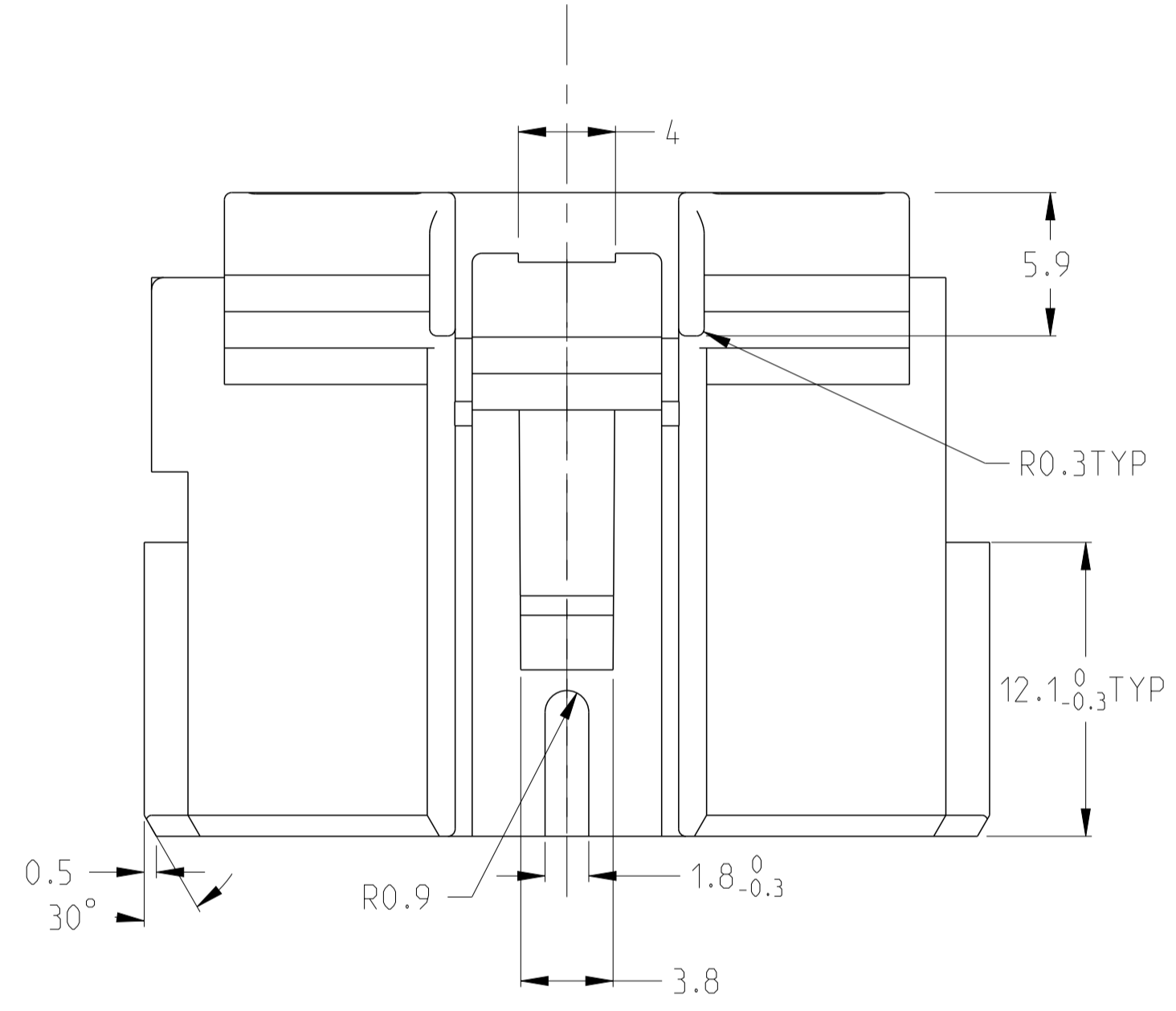
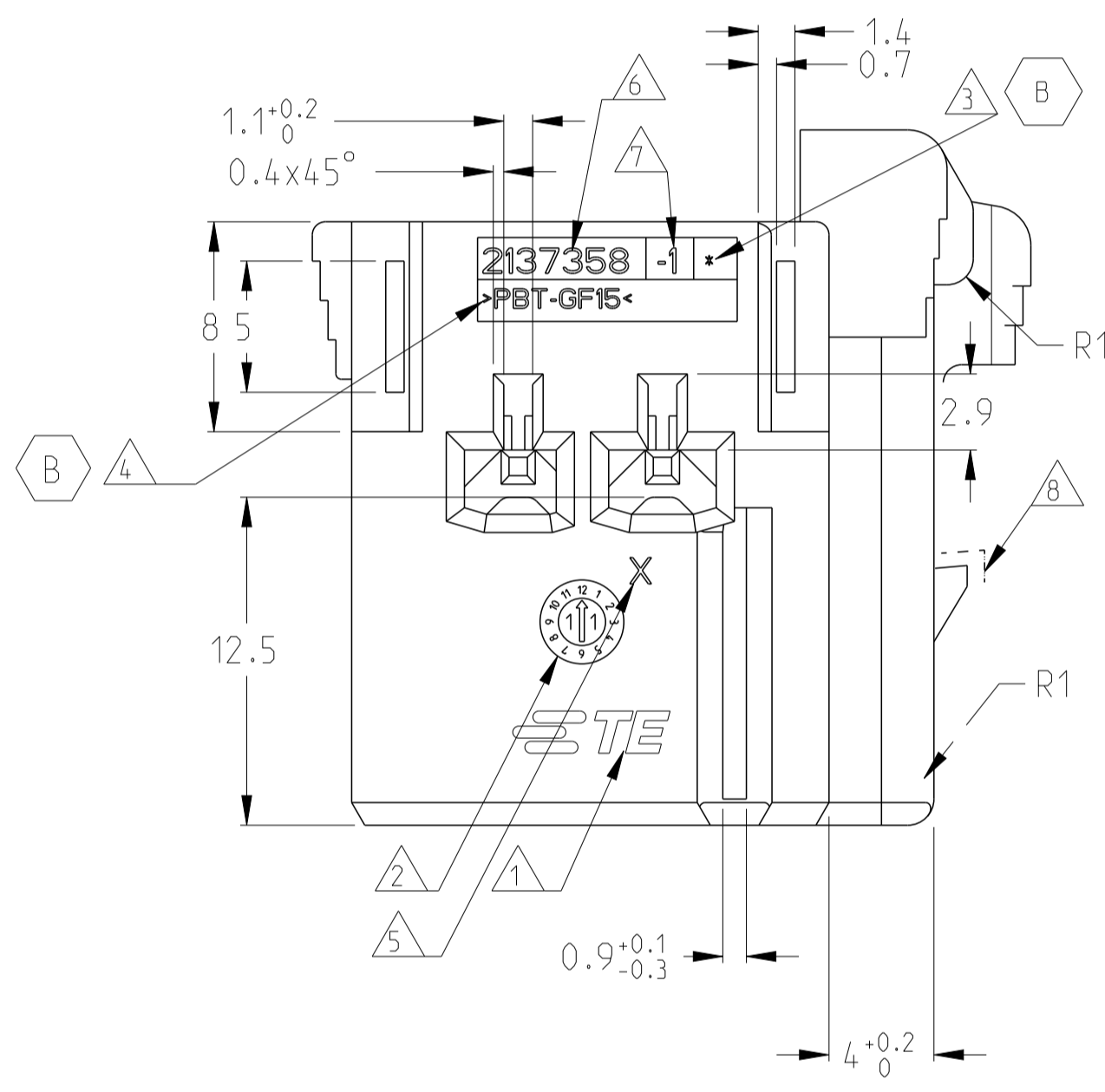
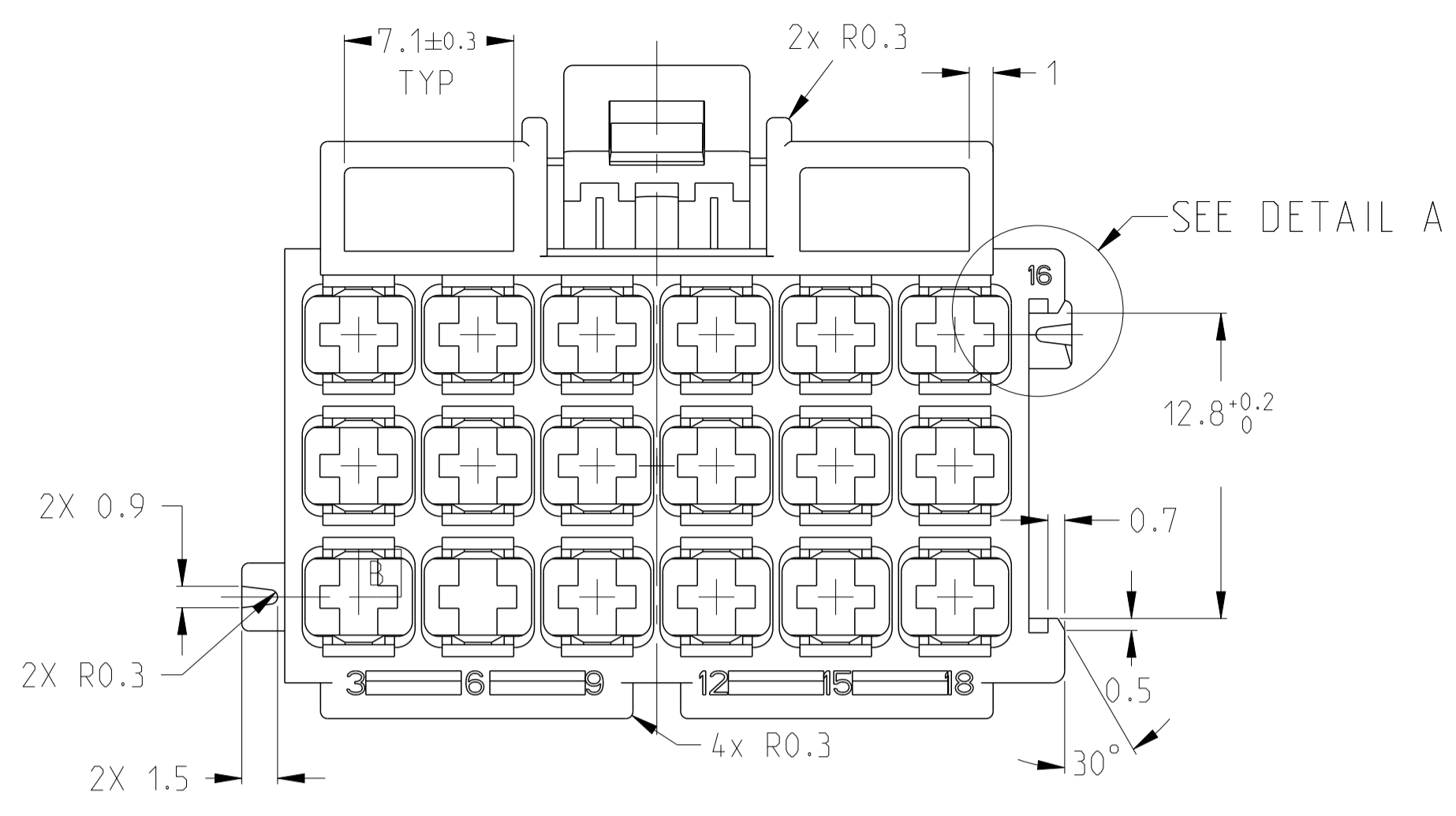


REVISIONS				
P	LTM	DESCRIPTION	DATE	APVD
A		RELEASED	-	HX -
B		REVISED ECR-17-018365	31OCT2017	Z.L I.Y

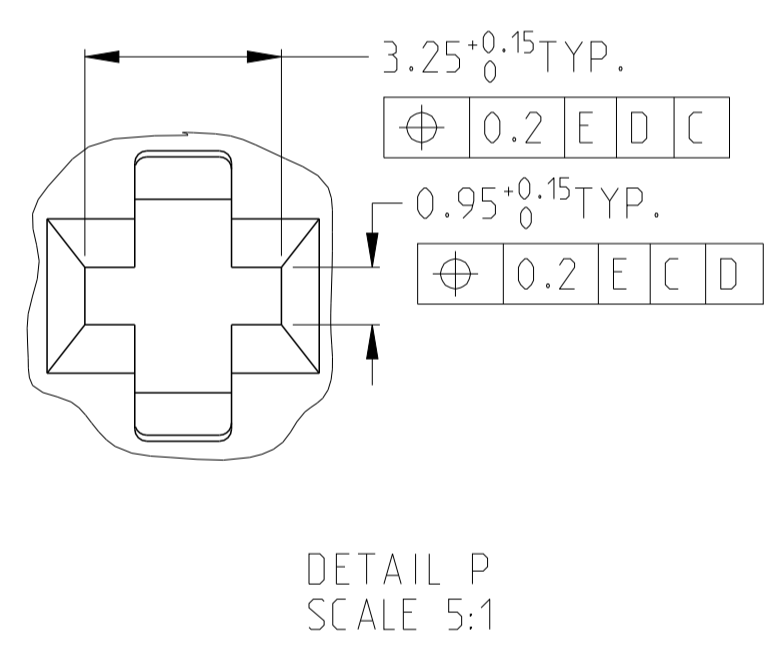
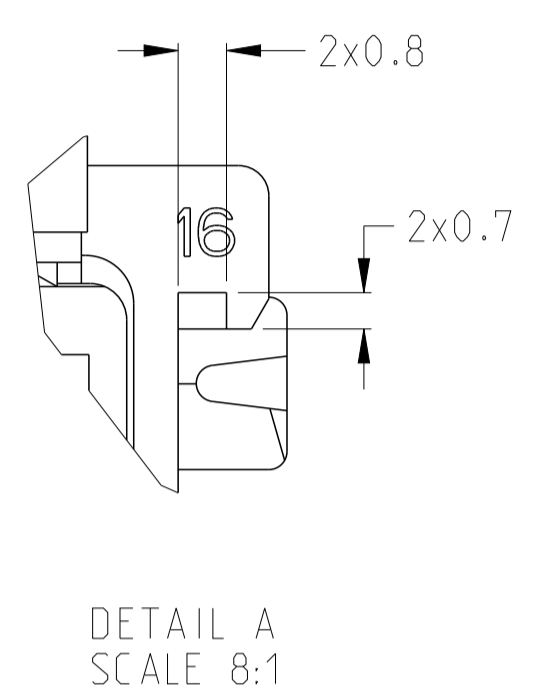
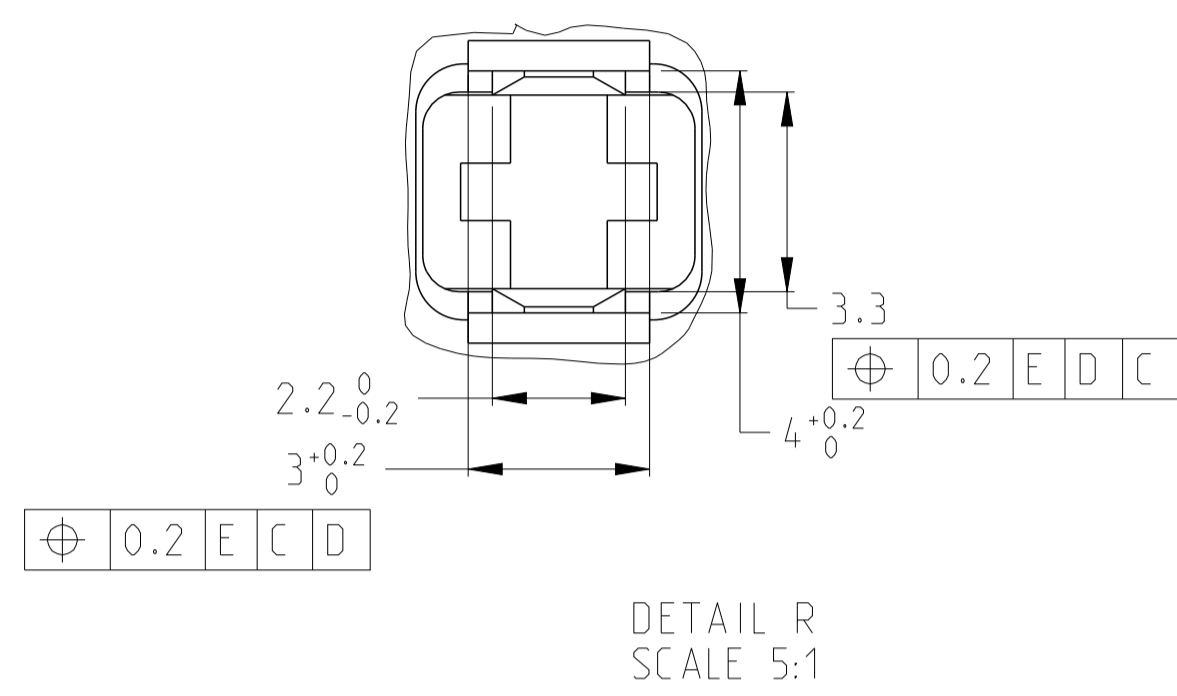
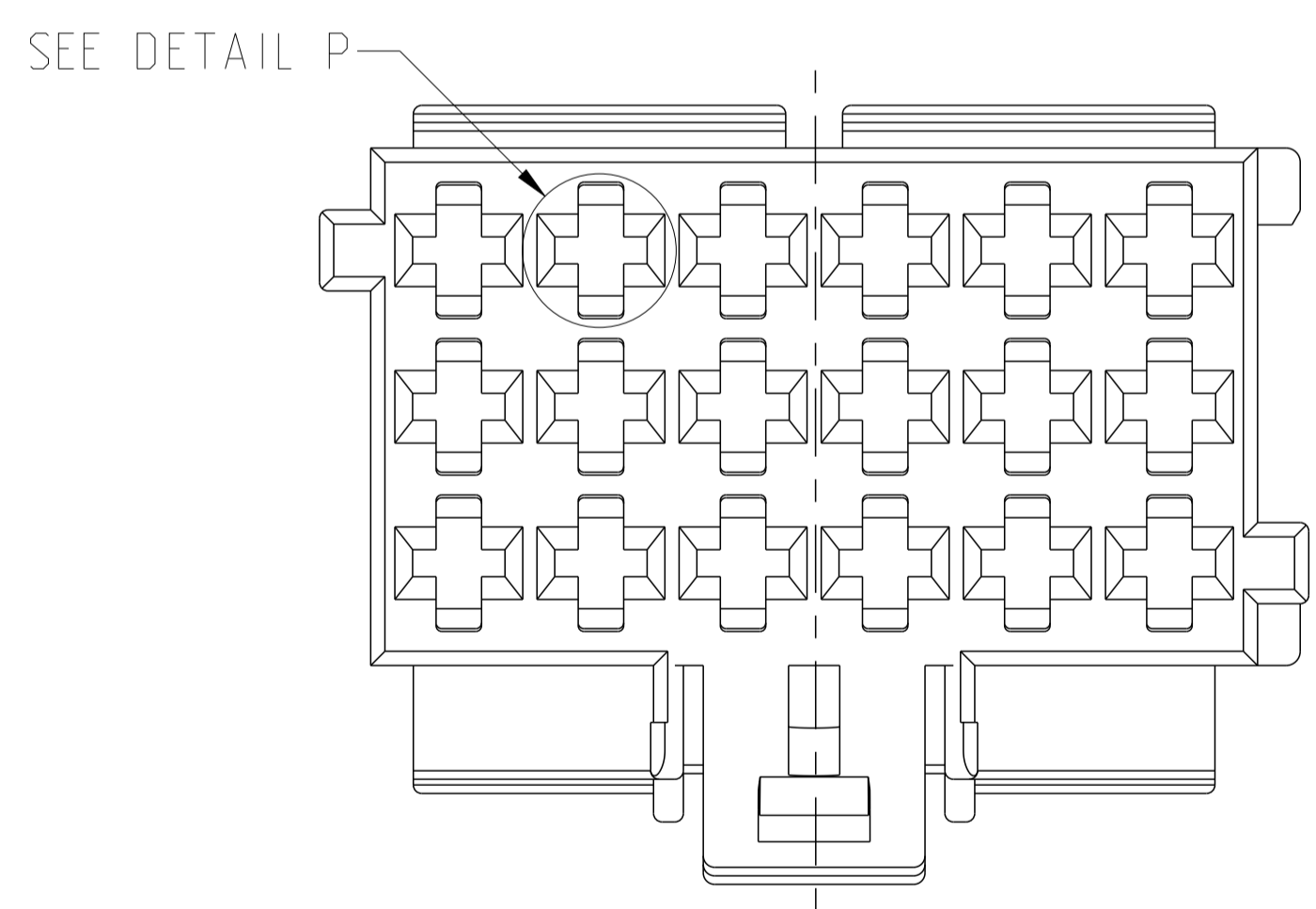
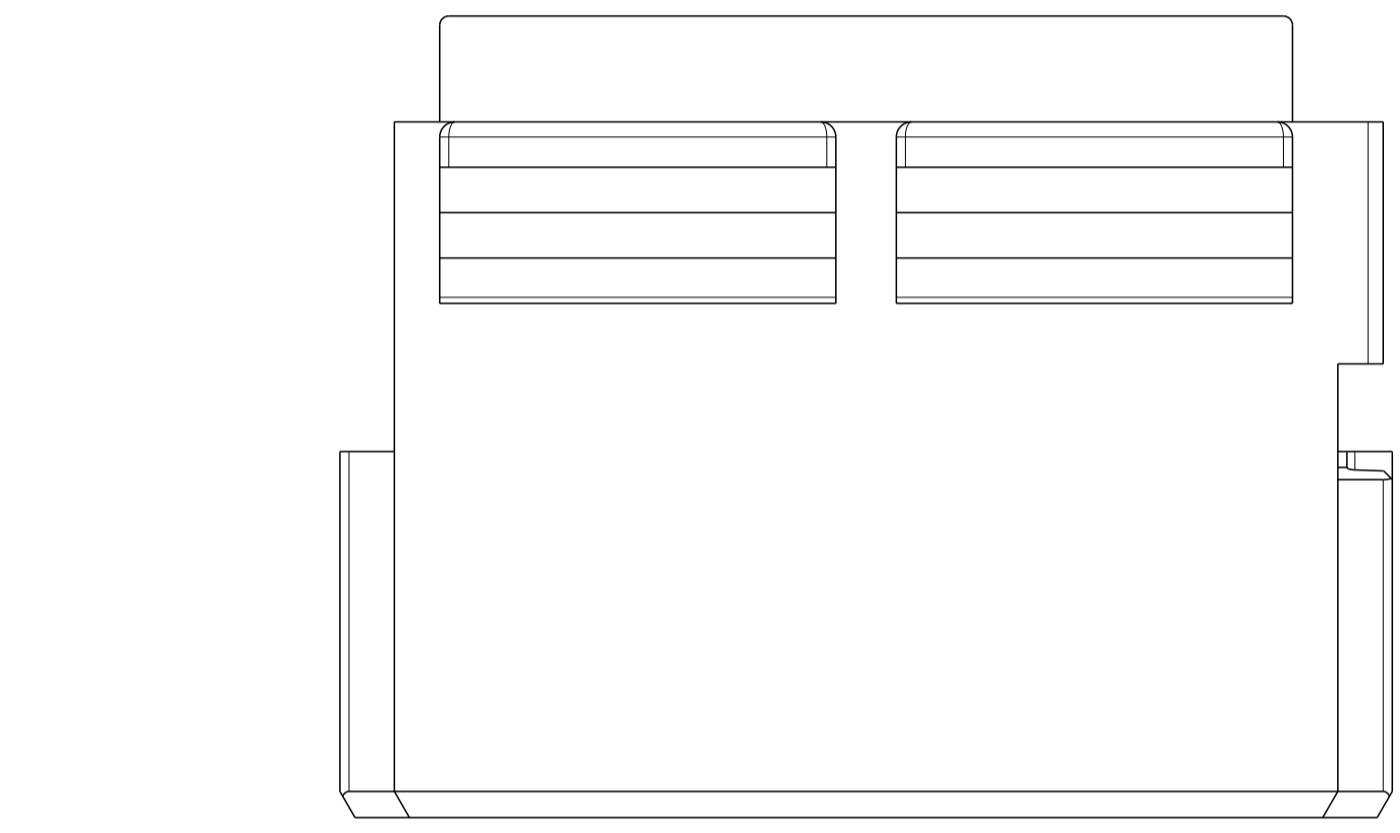
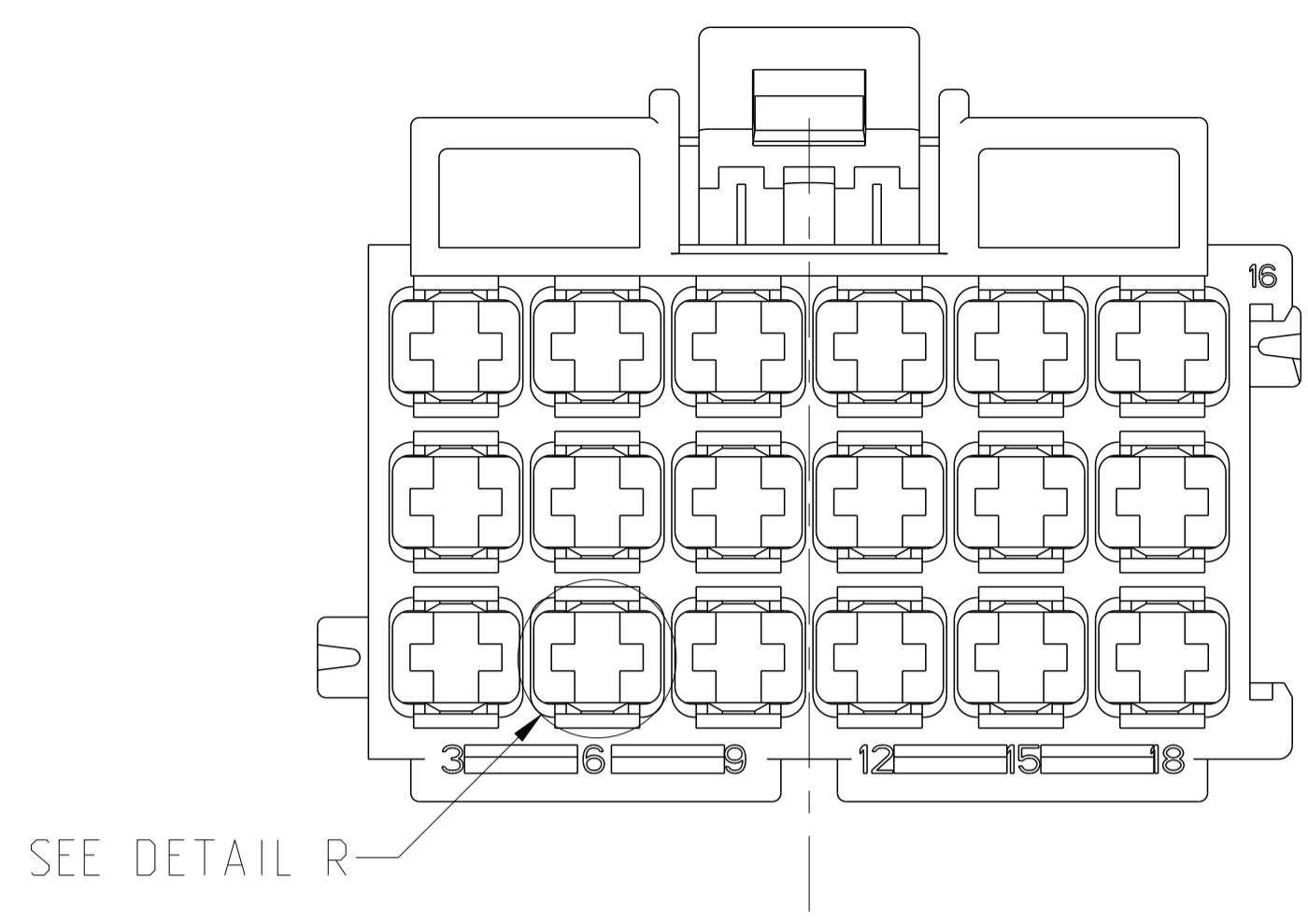


SCALE 2:1



THIS DRAWING IS A CONTROLLED DOCUMENT.		OWN: H.XU 04SEPT12	TE Connectivity																					
DIMENSIONS: mm		CHK: Z.ZHOU 15NOV12																						
TOLERANCES UNLESS OTHERWISE SPECIFIED:		APVD: W.YUAN 15NOV12	NAME: AMP-MCP 2.8mm RECEPTACLE HOUSING .18POS																					
<table border="1"> <tr><td>0-PLC</td><td>±</td><td>△</td></tr> <tr><td>1-PLC</td><td>±</td><td>△</td></tr> <tr><td>2-PLC</td><td>±</td><td>△</td></tr> <tr><td>3-PLC</td><td>±</td><td>△</td></tr> <tr><td>4-PLC</td><td>±</td><td>△</td></tr> <tr><td>ANGLES</td><td>±10°</td><td></td></tr> <tr><td>FINISH</td><td></td><td></td></tr> </table>		0-PLC	±	△	1-PLC	±	△	2-PLC	±	△	3-PLC	±	△	4-PLC	±	△	ANGLES	±10°		FINISH			PRODUCT SPEC: 108-101234	SIZE: -
0-PLC	±	△																						
1-PLC	±	△																						
2-PLC	±	△																						
3-PLC	±	△																						
4-PLC	±	△																						
ANGLES	±10°																							
FINISH																								
MATERIAL: PBT-GF15 1573359-4		APPLICATION SPEC: 116-101014	RESTRICTED TO: -																					
WEIGHT: 9.516g		SIZE: A1	CAGE CODE: 00779																					
CUSTOMER DRAWING		DRAWING NO: C=2137358	SCALE: 4:1																					
		SHEET: 1 OF 2	REV: B																					

REVISIONS				
P	LTN	DESCRIPTION	DATE	APVD
-		SEE SHEET 1	-	-



- NOTE:
- 1. TE LOGO.
 - 2. MAKING DATE.
 - 3. PART REVISION, ACTUAL STATUS ACC. TO TABLE
 - 4. MATERIAL-MAKING
 - 5. CAVITY MARK.
 - 6. TE PART NUMBER
 - 7. EXCHANGABLE
 - 8. BURRS PERMITTED <= 0.2MM
 - 9. GENERAL TOL: ±0.2
 - 10. BURRS PERMITTED <= 0.5MM

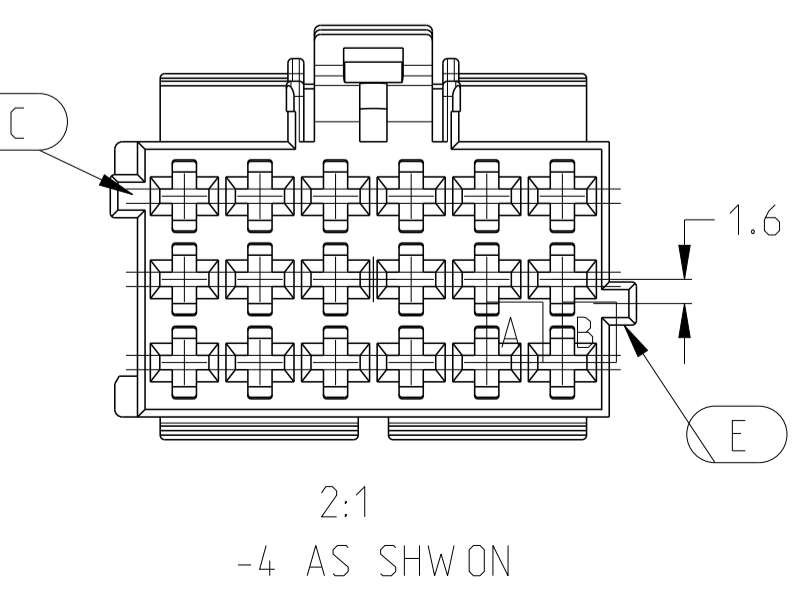
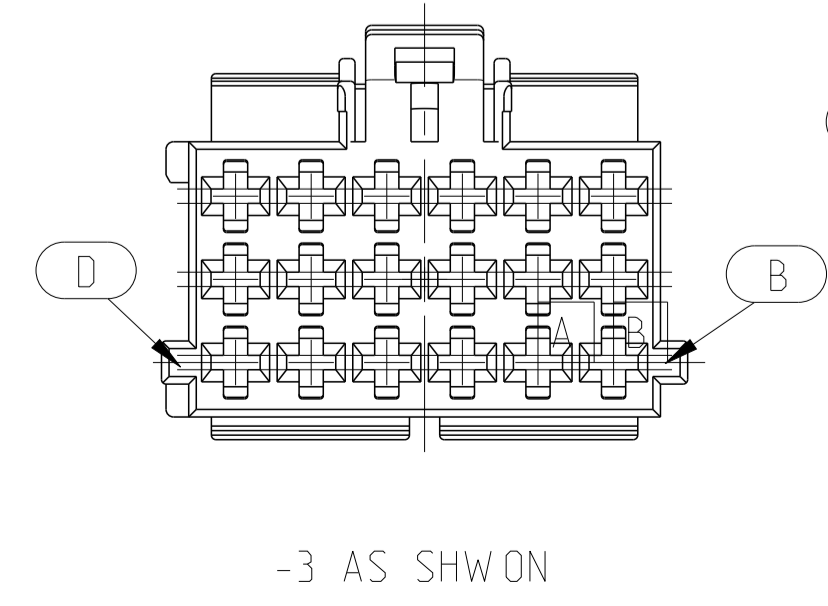
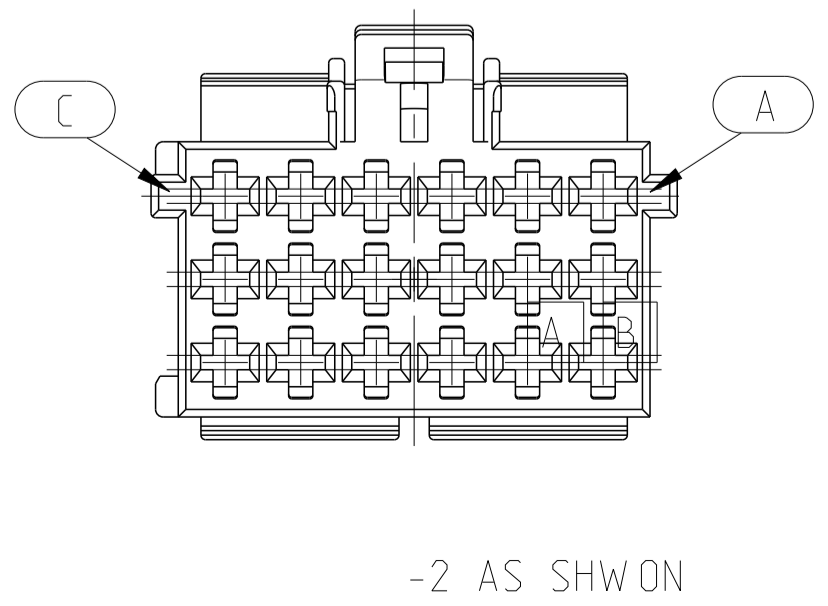
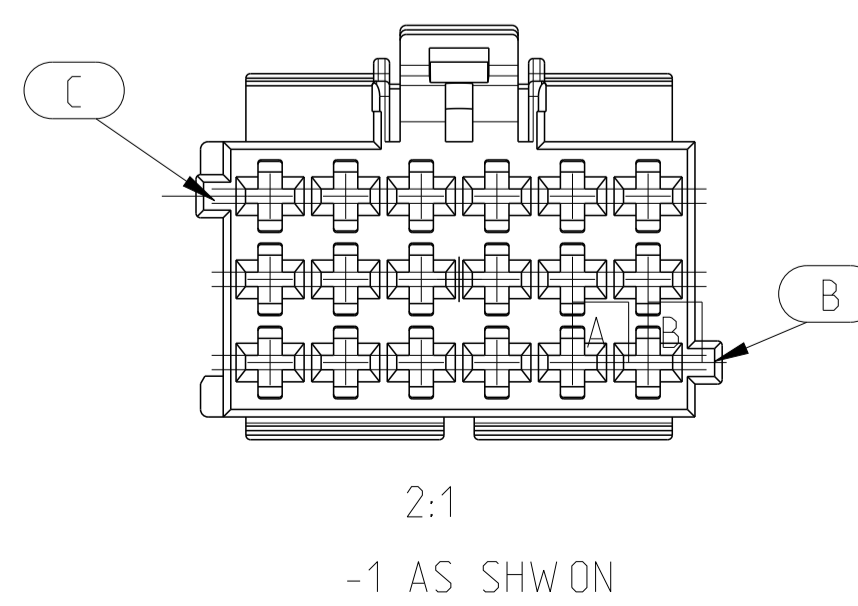
REALIZED CODINGS:

BASIC CODING A = RIBS B-C

CODING B = RIBS A-C

CODING C = RIBS B-D

CODING D = RIBS C-E



DESCRIPTION	COLOUR	WEIGHT	MATERIAL	TE P/N	PART REV	ITEM NO
MCP HOUSING, 18POS., CODING D	VIOLET	9.516g	PBT-GF15	-4	B	4
MCP HOUSING, 18POS., CODING C	BLUE	9.516g	PBT-GF15	-3	B	3
MCP HOUSING, 18POS., CODING B	NATURAL(WHITE)	9.516g	PBT-GF15	-2	B	2
MCP HOUSING, 18POS., CODING A	GREY	9.516g	PBT-GF15	-1	B	1

STE TE Connectivity

AMP-MCP 2.8mm RECEPTACLE HOUSING .18POS

MATERIAL: PBT-GF15 1573359-4

WEIGHT: 9.516g

SCALE: 4:1 SHEET 2 OF 2