

# EV-T2SC - Protective cover



1627780

<https://www.phoenixcontact.com/us/products/1627780>

Please be informed that the data shown in this PDF document is generated from our online catalog. Please find the complete data in the user documentation. Our general terms of use for downloads are valid.



CHARX connect basic, Protective cover, square, Accessories, with self-locking mechanism, for attaching to infrastructure charging sockets, Type 2, IEC 62196-2, Front mounting, M5 thread, housing: black, Embossed PHOENIX CONTACT logo, Special packaging quantity

## Product description

Self-closing protective cover for infrastructure charging socket

## Your advantages

- Developed and produced in accordance with the IATF 16949 automotive standard and ISO 9001
- Individual branding, thanks to the use your own logo
- Reliable protection of your socket outlet from weather and vandalism

## Commercial data

Item number	1627780
Packing unit	10 pc
Minimum order quantity	10 pc
Product key	XWBAFC
GTIN	4055626355245
Weight per piece (including packing)	119.063 g
Weight per piece (excluding packing)	118.7 g
Country of origin	PL

# EV-T2SC - Protective cover

1627780

<https://www.phoenixcontact.com/us/products/1627780>

## Technical data

### Notes

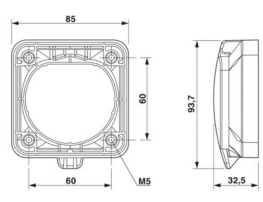
General	Special packaging quantity
---------	----------------------------

### Product properties

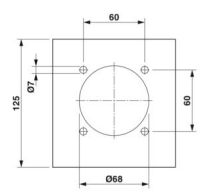
Product type	Protective cover for Socket Outlet
Product family	CHARX connect basic
Application	for attaching to infrastructure charging sockets
Design (Protective cover)	square
Type	Accessories
Design	with self-locking mechanism
Compatibility	The square basic protective cover version is not compatible with the shutter. Choose a premium and/or round protective cover version for this.
Affixed logo	Embossed PHOENIX CONTACT logo
Charging standard	Type 2
Charging mode	Mode 3, Case B

### Dimensions

#### Protective cover

Dimensional drawing	
Width	85 mm
Height	93.7 mm
Depth	32.5 mm

#### Bore dimensions

Dimensional drawing	
Width	60 mm
Height	60 mm

### Material specifications

Color (Housing)	black (9005)
Material (Housing)	Plastic

# EV-T2SC - Protective cover



1627780

<https://www.phoenixcontact.com/us/products/1627780>

## Mechanical properties

Type of cover movement	Self-locking
------------------------	--------------

## Environmental and real-life conditions

### Ambient conditions

Degree of protection (Protective cover)	IP54
	IK08
Ambient temperature (operation)	-30 °C ... 50 °C
Ambient temperature (storage/transport)	-40 °C ... 80 °C
Altitude	5000 m (above sea level)

## Standards and regulations

### Standards

Standards/regulations	IEC 62196-2
-----------------------	-------------

## Mounting

Mounting type Protective cover	Front mounting (rear screw connection)
Fixing screws	M5 thread

# EV-T2SC - Protective cover

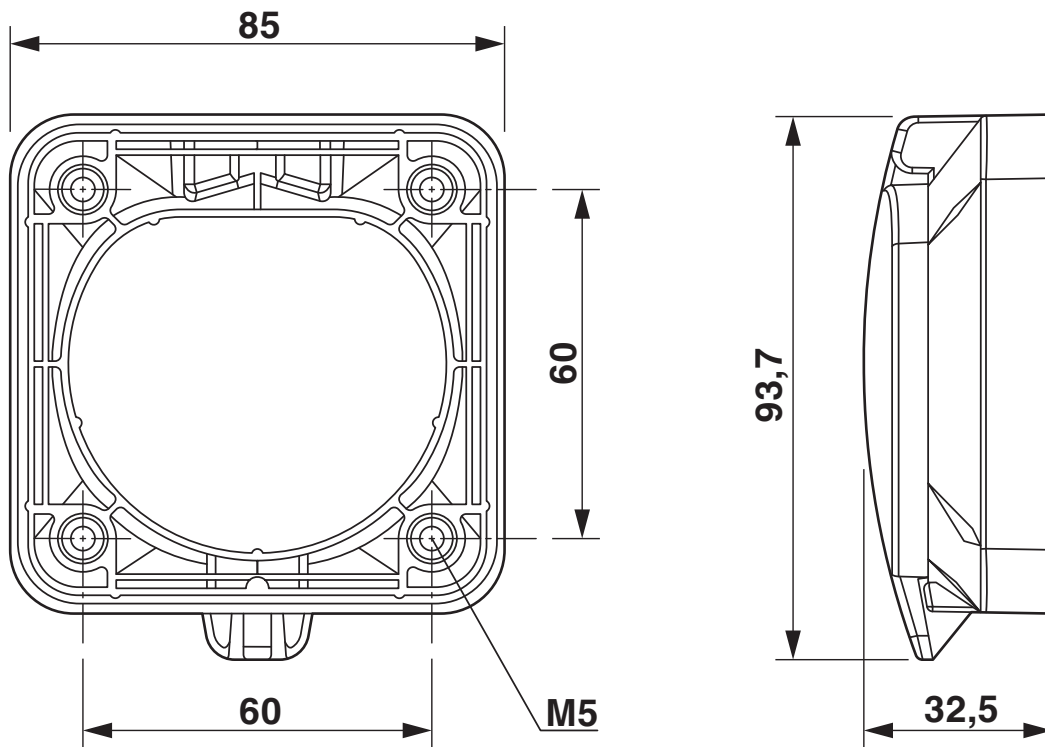
1627780

<https://www.phoenixcontact.com/us/products/1627780>



## Drawings

Dimensional drawing



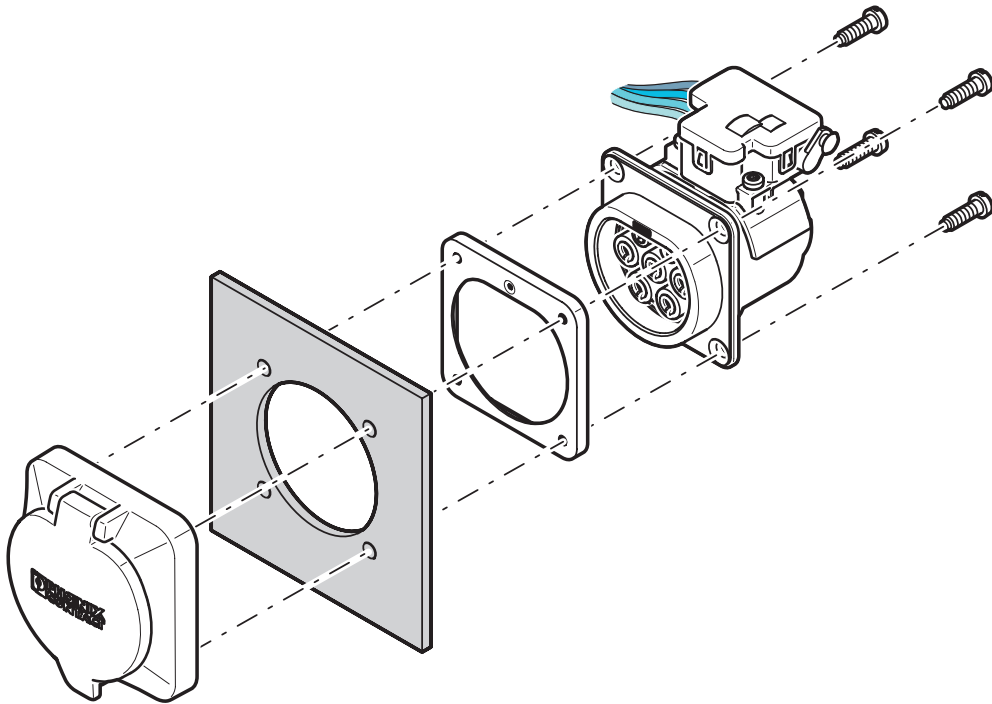
# EV-T2SC - Protective cover

1627780

<https://www.phoenixcontact.com/us/products/1627780>



Schematic diagram



## Rear mounting with rear protective cover screw connection

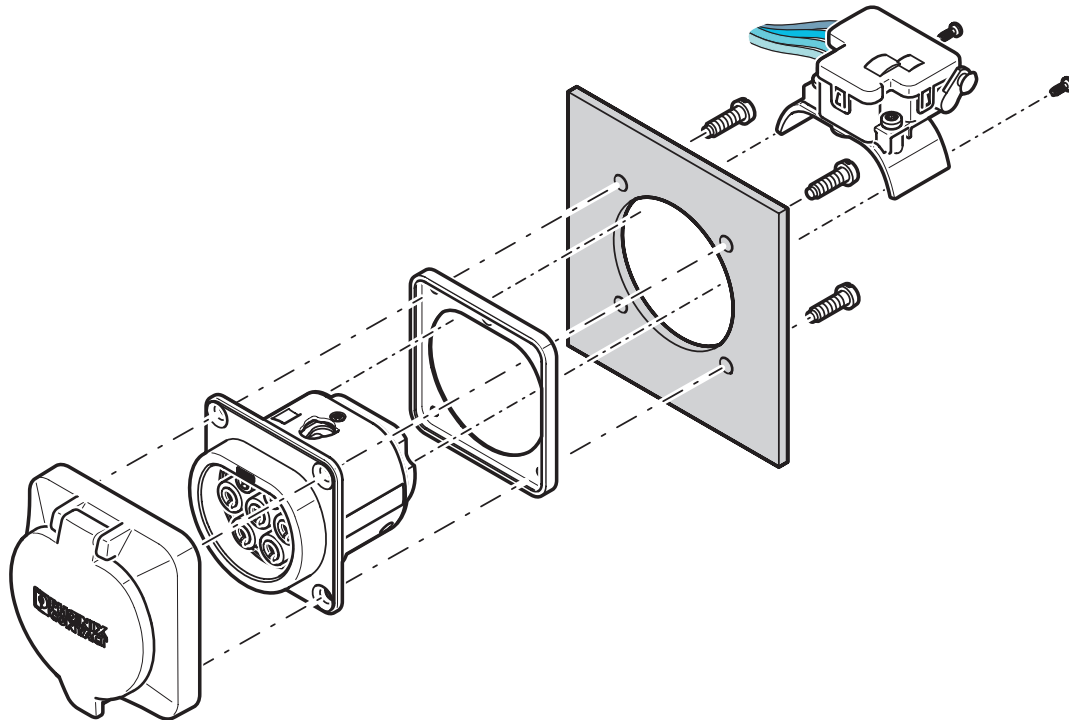
The screw connection for a protective cover from the accessories range (EV-T2SC) only supports rear mounting. The panel thickness must not exceed 5 mm. The sealing frame that is slid on from the rear must contact the housing panel flush with the flat side and must completely surround the infrastructure socket outlet.

# EV-T2SC - Protective cover

1627780

<https://www.phoenixcontact.com/us/products/1627780>

Schematic diagram



## Front mounting with rear protective cover screw connection

Front mounting is only possible when the locking actuator is removed. We recommend using an infrastructure socket outlet without pre-assembled locking actuator (EV-T2M3SE-...E0..., e.g., 1621729).

The screw connection for a protective cover from the accessories range (EV-T2SC) only supports rear mounting. The panel thickness must not exceed 10 mm. The sealing frame that is slid on from the front must contact the housing panel flush with the flat side and must completely surround the infrastructure socket outlet.

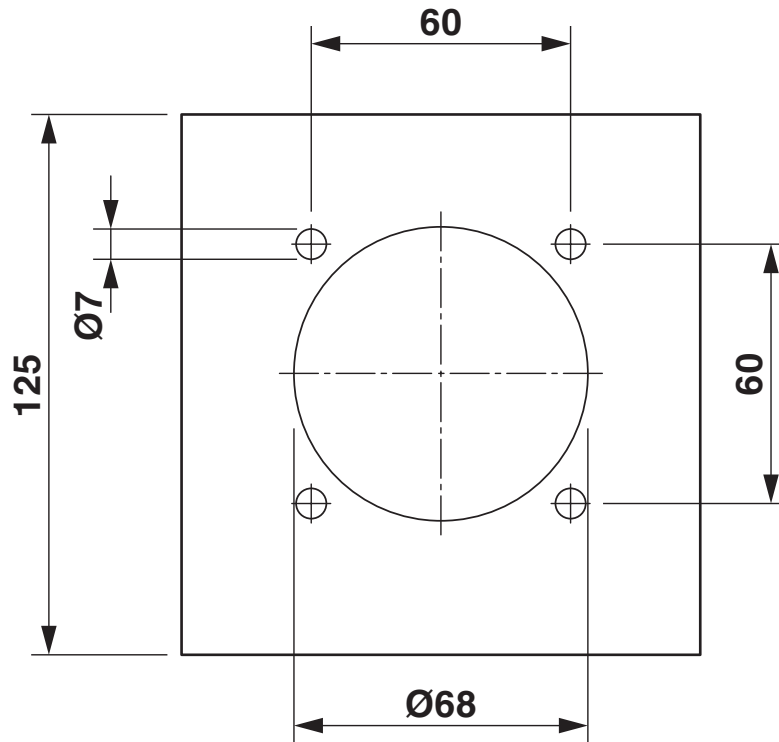
# EV-T2SC - Protective cover

1627780

<https://www.phoenixcontact.com/us/products/1627780>



Dimensional drawing



# EV-T2SC - Protective cover

1627780

<https://www.phoenixcontact.com/us/products/1627780>



## Classifications

### ECLASS

ECLASS-11.0	27144792
ECLASS-12.0	27144792
ECLASS-13.0	27144792

### ETIM

ETIM 9.0	EC002884
----------	----------

### UNSPSC

UNSPSC 21.0	39121500
-------------	----------



# EV-T2SC - Protective cover



1627780

<https://www.phoenixcontact.com/us/products/1627780>

## Environmental product compliance

### EU RoHS

Fulfills EU RoHS substance requirements	Yes, No exemptions
---	--------------------

### EU REACH SVHC

REACH candidate substance (CAS No.)	No substance above 0.1 wt%
-------------------------------------	----------------------------

Phoenix Contact 2024 © - all rights reserved

<https://www.phoenixcontact.com>

Phoenix Contact USA  
586 Fulling Mill Road  
Middletown, PA 17057, United States  
(+717) 944-1300  
[info@phoenixcon.com](mailto:info@phoenixcon.com)