

# Product data sheet

Specifications



Cam changeover switch, Harmony K, front mounting, plastic, 3 poles, position 0, 60 degree, 115A, 88x88mm, marked 1/2

K115F003UP

⚠ Discontinued

⚠ Discontinued on: Aug 15, 2024

## Main

Range of product	Harmony K
Product or component type	Complete cam switch
Component name	K115
[Ith] conventional free air thermal current	115 A
mounting location	Front
Fixing mode	4 holes
Cam switch head type	With front plate 88 x 88 mm
Type of operator	Black handle
Rotary handle padlocking	Without
Presentation of legend	With metallic legend, 1 - 0 - 2 black marking
Cam switch function	Changeover switch
Return	Without
Off position	With Off position
poles description	3P
Switching positions	Right: 0° - 60° Left: 0° - 300°
IP degree of protection	IP40 conforming to IEC 60529

## Complementary

Switching angle	60 °
[Ui] rated insulation voltage	690 V (pollution degree 3) conforming to IEC 60947-1
Rated operational power in W	13000 W AC-3, 380/440 V 1 phase conforming to IEC 60947-3 15000 W AC-23A, 220/240 V 1 phase conforming to IEC 60947-3 15000 W AC-3, 220/240 V 3 phases conforming to IEC 60947-3 22000 W AC-23A, 380/440 V 1 phase conforming to IEC 60947-3 30000 W AC-23A, 220/240 V 3 phases conforming to IEC 60947-3 30000 W AC-3, 380/440 V 3 phases conforming to IEC 60947-3 30000 W AC-3, 660/690 V 3 phases conforming to IEC 60947-3 3700 W AC-3, 110 V 1 phase conforming to IEC 60947-3 45000 W AC-23A, 380/440 V 3 phases conforming to IEC 60947-3 5500 W AC-23A, 110 V 1 phase conforming to IEC 60947-3 65000 W AC-23A, 660/690 V 3 phases conforming to IEC 60947-3 7500 W AC-3, 220/240 V 1 phase conforming to IEC 60947-3
[Ie] rated operational current AC	100 A AC-21A conforming to IEC 60947-3
Short-circuit current	15000 A

<b>Short-circuit protection</b>	125 A cartridge fuse, type gG
<b>[Uimp] rated impulse withstand voltage</b>	6 kV conforming to EN 947-1 6 kV conforming to IEC 947-1
<b>Contact operation</b>	Slow-break
<b>Positive opening</b>	With
<b>Electrical connection</b>	Captive screw clamp terminals flexible, clamping capacity: 1 x 25 mm <sup>2</sup> Captive screw clamp terminals solid, clamping capacity: 1 x 35 mm <sup>2</sup>
<b>Tightening torque</b>	2.5 N.m
<b>Switching capacity in mA</b>	100000 mA DC at 140 V 3 contact(s) for resistive load (T = 1 ms) 100000 mA DC at 24 V 1 contact(s) for inductive load (T = 50 ms) 100000 mA DC at 48 V 1 contact(s) for resistive load (T = 1 ms) 100000 mA DC at 48 V 2 contact(s) for inductive load (T = 50 ms) 100000 mA DC at 70 V 3 contact(s) for inductive load (T = 50 ms) 100000 mA DC at 95 V 2 contact(s) for resistive load (T = 1 ms) 115000 mA DC at 24 V 1 contact(s) for resistive load (T = 1 ms) 115000 mA DC at 48 V 2 contact(s) for resistive load (T = 1 ms) 115000 mA DC at 70 V 3 contact(s) for resistive load (T = 1 ms) 33000 mA DC at 30 V 1 contact(s) for inductive load (T = 50 ms) 33000 mA DC at 60 V 2 contact(s) for inductive load (T = 50 ms) 33000 mA DC at 90 V 3 contact(s) for inductive load (T = 50 ms)
<b>Mechanical durability</b>	300000 cycles
<b>CAD overall width</b>	88 mm
<b>CAD overall height</b>	88 mm
<b>CAD overall depth</b>	154 mm
<b>Net weight</b>	0.645 kg

## Environment

<b>Standards</b>	IEC 60947-3
<b>Product certifications</b>	CULus 120 V 5 hp 1 phase CULus 240 V 10 hp 1 phase CULus 240 V 20 hp 3 phases CULus 480 V 30 hp 3 phases
<b>protective treatment</b>	TC
<b>Ambient air temperature for operation</b>	-25...55 °C
<b>Ambient air temperature for storage</b>	-40...70 °C
<b>Overvoltage category</b>	Class II conforming to IEC 60536 Class II conforming to NF C 20-030

## Packing Units

<b>Unit Type of Package 1</b>	PCE
<b>Number of Units in Package 1</b>	1
<b>Package 1 Height</b>	23.5 cm
<b>Package 1 Width</b>	9.8 cm
<b>Package 1 Length</b>	9.8 cm
<b>Package 1 Weight</b>	975.0 g
<b>Unit Type of Package 2</b>	S03
<b>Number of Units in Package 2</b>	5
<b>Package 2 Height</b>	30.0 cm
<b>Package 2 Width</b>	30.0 cm

---

Package 2 Length	40.0 cm
------------------	---------

---

Package 2 Weight	5.418 kg
------------------	----------

## Contractual warranty

---

Warranty	18 months
----------	-----------

## Sustainability

**Green Premium™ label** is Schneider Electric's commitment to delivering products with best-in-class environmental performance. Green Premium promises compliance with the latest regulations, transparency on environmental impacts, as well as circular and low-CO<sub>2</sub> products.

**Guide to assessing product sustainability** is a white paper that clarifies global eco-label standards and how to interpret environmental declarations.

[Learn more about Green Premium >](#)

[Guide to assess a product's sustainability >](#)

## Well-being performance

✓ Reach Free Of Svhc

---

✓ Toxic Heavy Metal Free

---

✓ Mercury Free

---

✓ Rohs Exemption Information Yes

---

**Eu Rohs Directive** Pro-active compliance (Product out of EU RoHS legal scope)

[EU RoHS Declaration](#)

---

**China Rohs Regulation** [China RoHS declaration](#)

---

**Weee** The product must be disposed on European Union markets following specific waste collection and never end up in rubbish bins

---

**California Proposition 65** WARNING: This product can expose you to chemicals including: Nickel compounds, which is known to the State of California to cause cancer, and Di-isodecyl phthalate (DIDP), which is known to the State of California to cause birth defects or other reproductive harm. For more information go to [www.P65Warnings.ca.gov](http://www.P65Warnings.ca.gov)

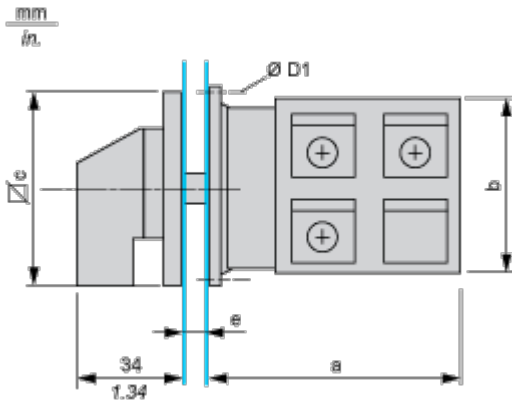
---

Dimensions Drawings

Dimensions

---

Front Mounting



e support panel thickness 0.5 to 5.5 mm / 0.02 to 0.22 in in.

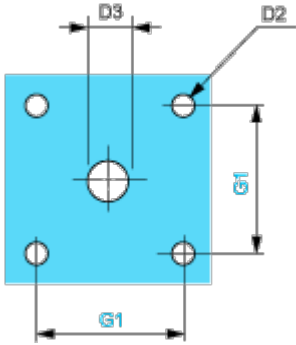
a		b		c		D1	
mm	in.	mm	in.	mm	in.	mm	in.
114.5	4.51	84	3.31	88	3.46	5.4	0.21

Mounting and Clearance

Panel Cut-Out

---

Front Mounting



D2		D3		G1	
mm	in.	mm	in.	mm	in.
6	0.24	13	0.51	68	2.68

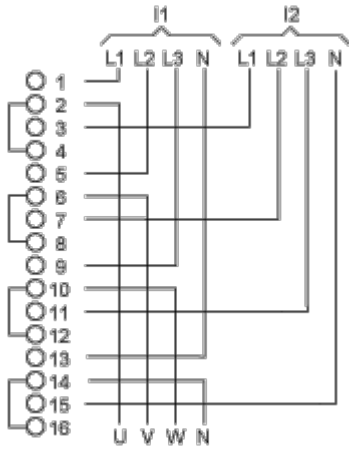
Technical Description

**Link Positions (Factory Mounted)**

---

**Diagram for 1 to 4-pole Switches**

Select the number of poles according to the product characteristics



I1 Input 1

I2 Input 2

Marking

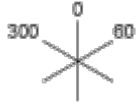
---





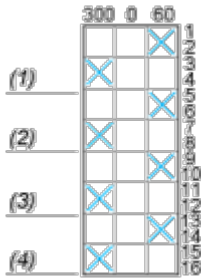
Angular Position of Switch

---



Switching Program

---



- (1) 1-pole
- (2) 2-pole
- (3) 3-pole
- (4) 4-pole

**Convention Used for Switching Program Representation**

---



Contact closed



Contact closed in 2 positions and maintained between the 2 positions



Sealed assembly for auto-maintain control



Overlapping contacts



Spring return position: for a switching angle of 90°, spring return is over 30° after the last position (for a maximum of 3 simultaneous contacts).

Example:

