

General Purpose Pushbutton Switches and Indicators

Series 11/21

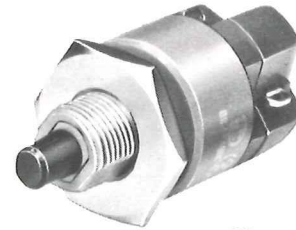
Rear Mounted Pushbuttons and Indicators

FEATURES

- 250 VAC/5 A, 220 VDC/0.1 A, 24 VDC/2 A snap action
42 VAC/0.1 A, 42 VDC/0.1 A low-level
- Minimum depth:
Series 11: 1.08"
Series 21: 0.944"
- Mounts in panels to 0.157 inch thick
- Choice of front panel mounting nut
- 5-million operations, low level
- Front panel replaceable lens and lamp



Series 11
pushbutton
low level



Series 21
pushbutton
snap action



Series 21
pushbutton
low level



Series 11
pushbutton
snap action

Reference

| | |
|---------------------------|----------|
| International Approvals | page 35 |
| Oil & watertight versions | page 52 |
| Accessories | page 166 |
| Lamps | page 152 |
| Technical Information | page 161 |

To order: first select switch or indicator desired, indicating contact and terminal type when applicable. Then order lens and illumination separately.

Series 11

Lighted Pushbuttons & Indicators

(Order lens, lamp, and front mounting nut separately)

| Switch Element | Momentary | Maintained |
|--|--------------|--------------|
| | Round | Round |
| Snap Action | | |
| 1-pole Form Z | 11-131.8 □ □ | 11-271.8 □ □ |
| 2-pole Form Z | 11-132.8 □ 5 | 11-272.8 □ 5 |
| 3-pole Form Z | 11-133.8 □ 5 | 11-273.8 □ 5 |
| 4-pole Form z | 11-134.8 □ 5 | 11-274.8 □ 5 |
| Low Level | | |
| 1 N.O. contact | 11-435.836 | 11-475.836 |
| 1 N.C. contact | 11-436.836 | 11-476.836 |
| 2 N.O. contacts | 11-431.836 | 11-471.836 |
| 2 N.C. contacts | 11-432.836 | 11-472.836 |
| 1 N.O., 1 N.C. contact | 11-433.836 | 11-473.836 |
| Indicator | | |
| Solder connection | 11-030.805 | |
| Length to match low level. Universal terminations | 11-031.806 | |

Select contact and terminal type where applicable

.8 □ □

1st digit is always 8 (Case color is gray)

Contact material (2nd digit): 1 = Silver, 2 = Gold over silver

Terminal type (3rd digit): 2 = 0.110" Q.C., 5 = Solder

Lenses

□ Add color digit

| Description | Round | 0 | 1 | 2 | 3 | 4 | 5 | 6 | 7 | 8 | 9 |
|----------------------------|-----------|---|---|---|---|---|---|---|---|---|---|
| Lens, with diffuser (lamp) | 11-931. □ | ✓ | | ✓ | | ✓ | ✓ | ✓ | | | ✓ |
| Lens, no diffuser (LED) | 11-932. □ | | | ✓ | | ✓ | ✓ | ✓ | | | |

□ 0 = Black, 1 = Solar Black, 2 = Red, 3 = Orange, 4 = Yellow, 5 = Green, 6 = Blue
7 = Clear, 8 = Gray, 9 = White. Black and Gray are opaque.



Mounting Nuts

| Description | Part Number |
|--|-------------|
| Rear mounting nut (included with switch) | 11-934 |
| Front mounting nut required (not included) | |
| A. Knurled, open face, bright chrome, ø 14 mm | 11-935 |
| B. Knurled, flat face, bright chrome, ø 14 mm | 11-936 |
| C. Knurled, conical face, bright chrome, ø 16 mm | 11-937 |

General Purpose Pushbutton Switches and Indicators

Series 21


Unlighted Pushbuttons

(Order button and front mounting nut separately)



| Switch Element | Momentary | Maintained |
|------------------------|--------------|--------------|
| | Round | Round |
| Snap Action | | |
| 1-pole Form Z | 21-131.8 □ 5 | 21-271.8 □ 5 |
| 2-pole Form Z | 21-132.8 □ 5 | 21-272.8 □ 5 |
| 3-pole Form Z | 21-133.8 □ 5 | 21-273.8 □ 5 |
| Low Level | | |
| 1 N.O. contact | 21-435.836 | 21-475.836 |
| 1 N.C. contact | 21-436.836 | 21-476.836 |
| 2 N.O. contacts | 21-431.836 | 21-471.836 |
| 2 N.C. contacts | 21-432.836 | 21-472.836 |
| 1 N.O., 1 N.C. contact | 21-433.836 | 21-473.836 |

Mounting Nuts & Buttons

| | |
|---|----------|
| Rear mounting nut (included with switch) | 21-934 |
| Front mounting nut required (not included) | |
| A. Knurled, open face, bright chrome, ø 10 mm | 21-935 |
| B. Knurled, flat face, bright chrome, ø 10 mm | 21-936 |
| C. Knurled, conical face, bright chrome, ø 14 mm | 21-937 |
| Button | |
|  | |
| Black | 21-931.0 |
| Red | 21-931.2 |
| Yellow | 21-931.4 |
| Green | 21-931.5 |
| Blue | 21-931.6 |
| White | 21-931.9 |

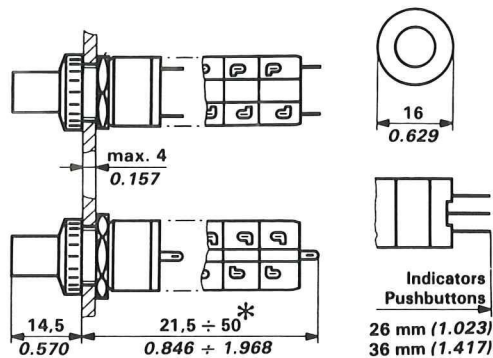
Select contact material where applicable

.8 □ 5

1st digit is always 8 (case color is gray)

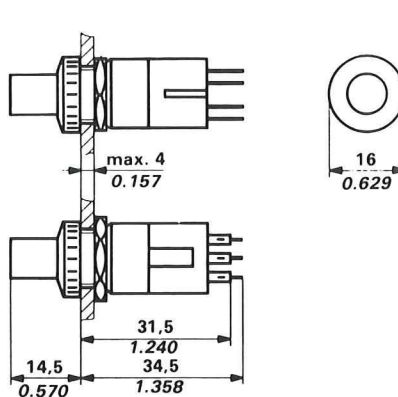
Contact material (2nd digit): 1 = Silver, 2 = Gold over silver

Dimensions & Mounting Information

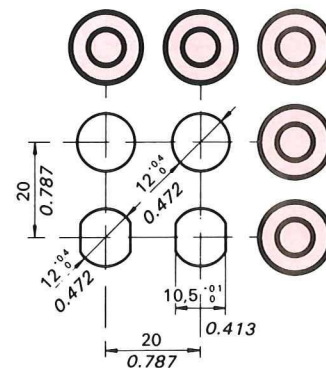


Indicator, 21.5 (0.846) 3 pole, 42.5 (1.67)
 1 pole, 27.5 (1.08) 4 pole, 50 (1.97)
 2 pole, 35 (1.38)

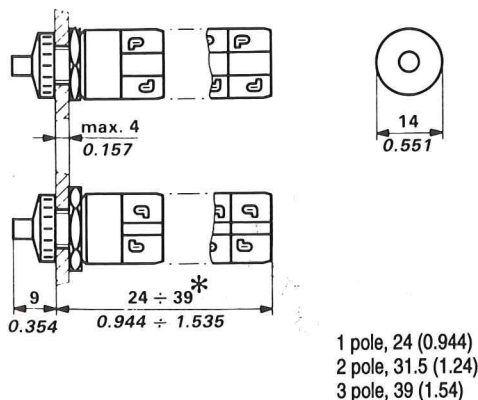
Series 11
Snap acting switch element



Series 11
Low level switch element

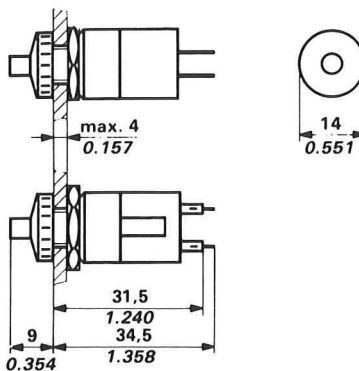


Series 11 mounting

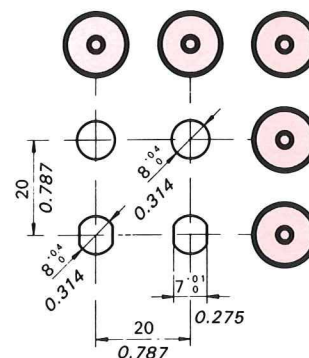


1 pole, 24 (0.944)
 2 pole, 31.5 (1.24)
 3 pole, 39 (1.54)

Series 21
Snap action switch element



Series 21
Low level switch element



Series 21 mounting