

Product data sheet

Miniature connectors



Product description **M16 Female panel mount connector, Contacts: 12 (12-a), unshielded, solder, IP40, front fastened**

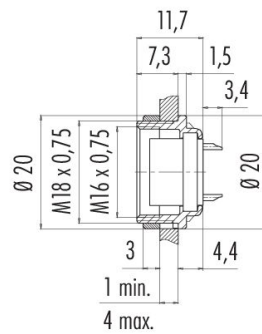
Area **series 680**

Part no. **09 0332 80 12**

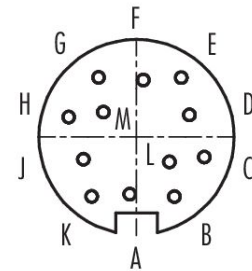
Illustration



Scale drawing



Contact arrangement (Plug-in side)



You can find the component part drawing and assembly instructions on the next page.

Technical data

General features

Part no.	09 0332 80 12
Connector design	Female panel mount connector
Type standard	DIN EN 61076-2-106
Version	Connector socket straight
Connector locking system	screw
Termination	solder
Degree of protection	IP40
Cross-sectional area	0.25 mm ² / AWG 24
Temperature range from/to	-40 °C / 85 °C
Mechanical operation	> 500 Mating cycles
Weight (g)	8.87
Customs tariff number	85369010
Country of Origin	DE

Electrical parameters

Rated voltage	60 V
Rated impulse voltage	500 V
Rated current	3,0 A
Insulation resistance	≥ 10 ¹⁰ Ω
Pollution degree	1
Overvoltage category	I
Insulating material group	III
EMC compliance	unshielded

Product data sheet

Miniature connectors



Product description	M16 Female panel mount connector, Contacts: 12 (12-a), unshielded, solder, IP40, front fastened
Area	series 680
Part no.	09 0332 80 12

Material

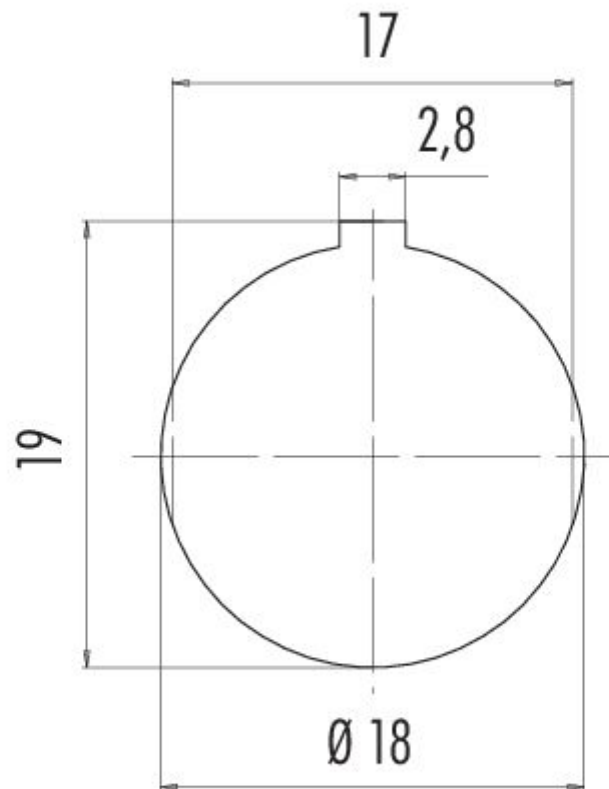
Housing material	Zinc die-cast nickel-plated
Contact body material	PBT (UL94 V-0)
Contact material	CuSn (bronze)
Contact plating	Au (gold)
REACH SVHC	CAS 7439-92-1 (Lead)
SCIP number	55cfd54-d30c-4579-8a62-45fd1e56c5a1

Classifications

eCl@ss 11.1	27-44-01-09
ETIM 9.0	EC003569

Product description	M16 Female panel mount connector, Contacts: 12 (12-a), unshielded, solder, IP40, front fastened
Area	series 680
Part no.	09 0332 80 12

Assembly instructions / Panel cut-out



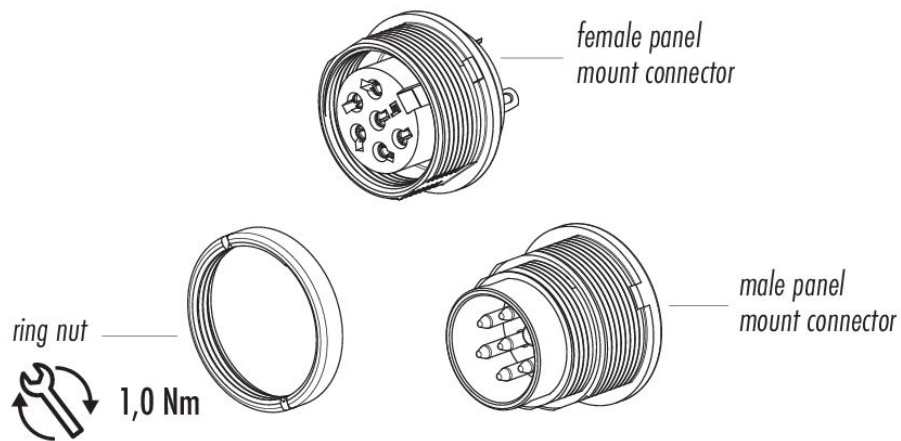
Product data sheet

Miniature connectors



Product description	M16 Female panel mount connector, Contacts: 12 (12-a), unshielded, solder, IP40, front fastened
Area	series 680
Part no.	09 0332 80 12

Component part drawing



Product description	M16 Female panel mount connector, Contacts: 12 (12-a), unshielded, solder, IP40, front fastened
Area	series 680
Part no.	09 0332 80 12

Security notices

The connector must not be plugged or unplugged under load. Non-observance and improper use can result in personal injury.

The connectors have been developed for applications in plant engineering, control and electrical equipment construction. The user is responsible for checking whether the connectors can also be used in other areas of application.

Connectors which are used in circuits with voltages dangerous to the touch may only be installed and used by, or under the supervision of, persons with electrical engineering training, taking into account the applicable regulations and standards.

The user must take suitable safety precautions to ensure that the connector cannot be accidentally disconnected.

The plug connector is not suitable for mains voltages Please observe the pollution degree and the overvoltage category. For further information, please refer to the download center "Technical Information".

To lock the cable connector with the device connector, the threaded ring is tightened "hand-tight" (approx. 60 cNm).