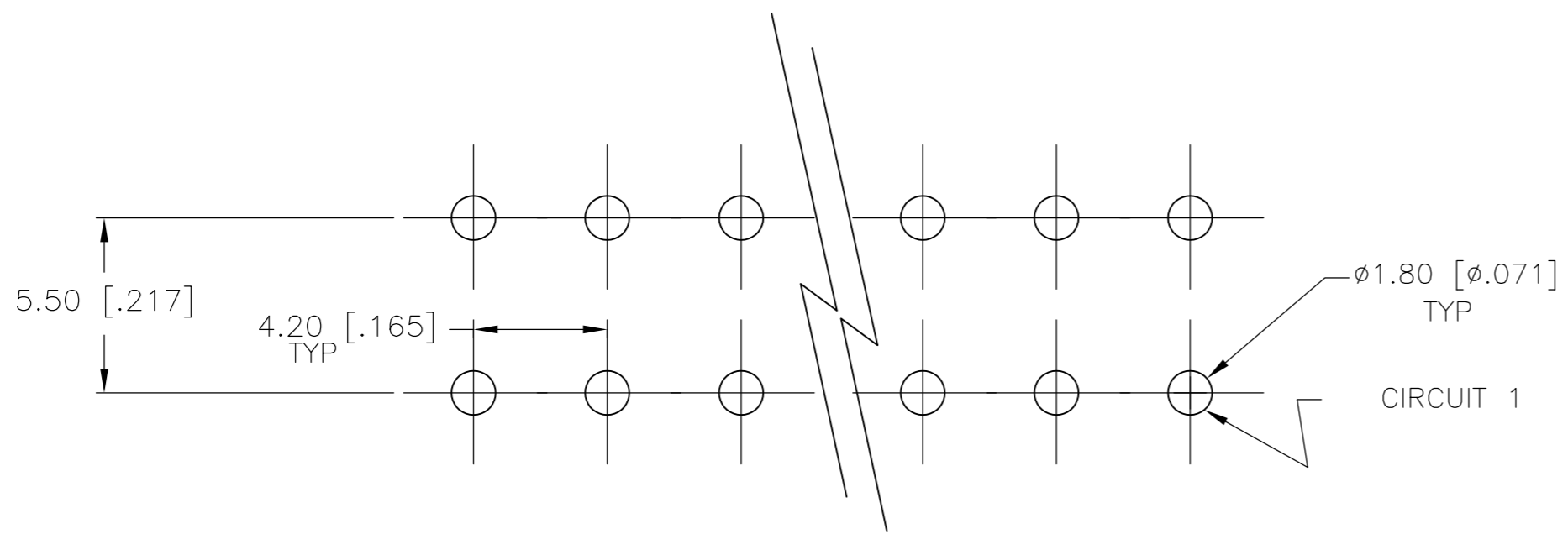
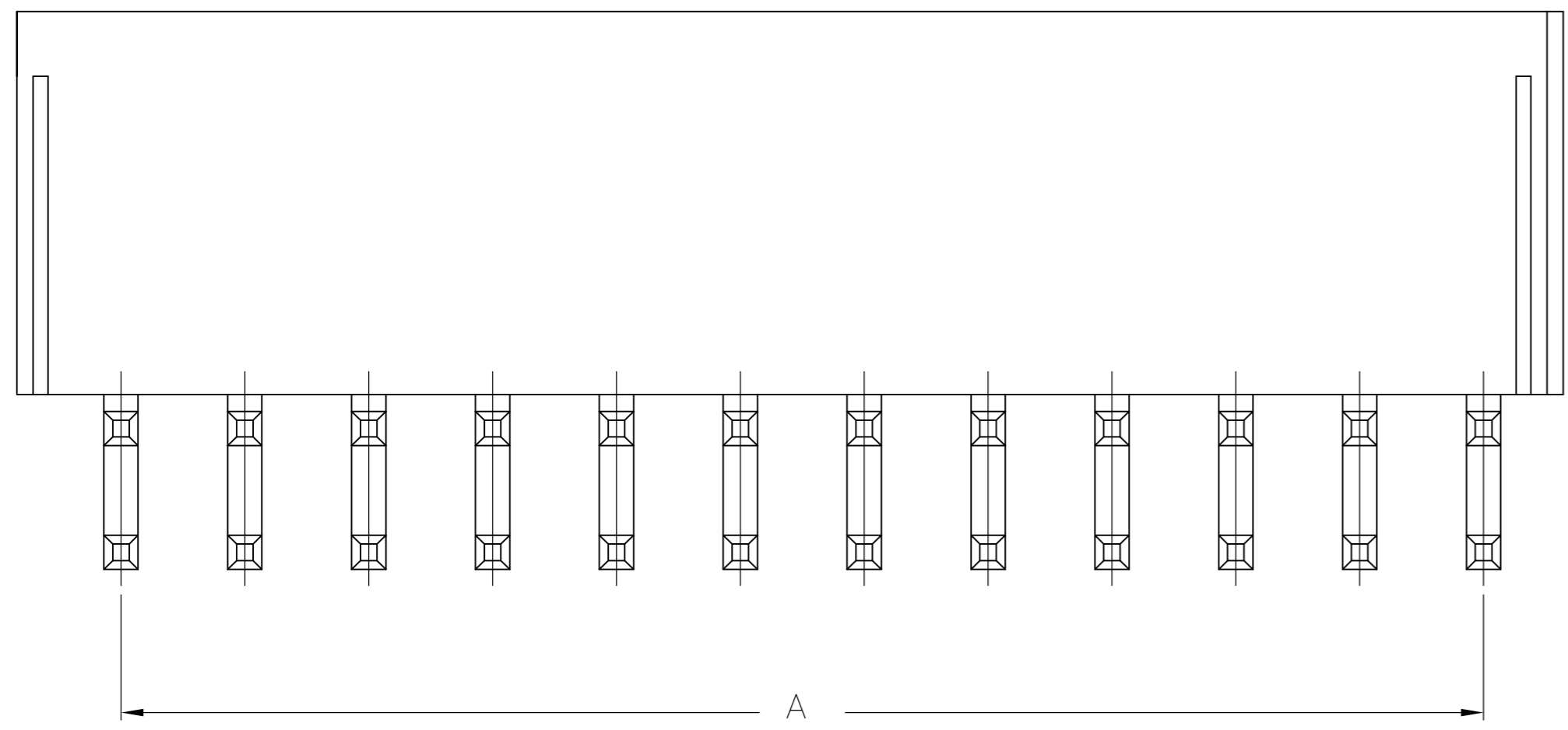
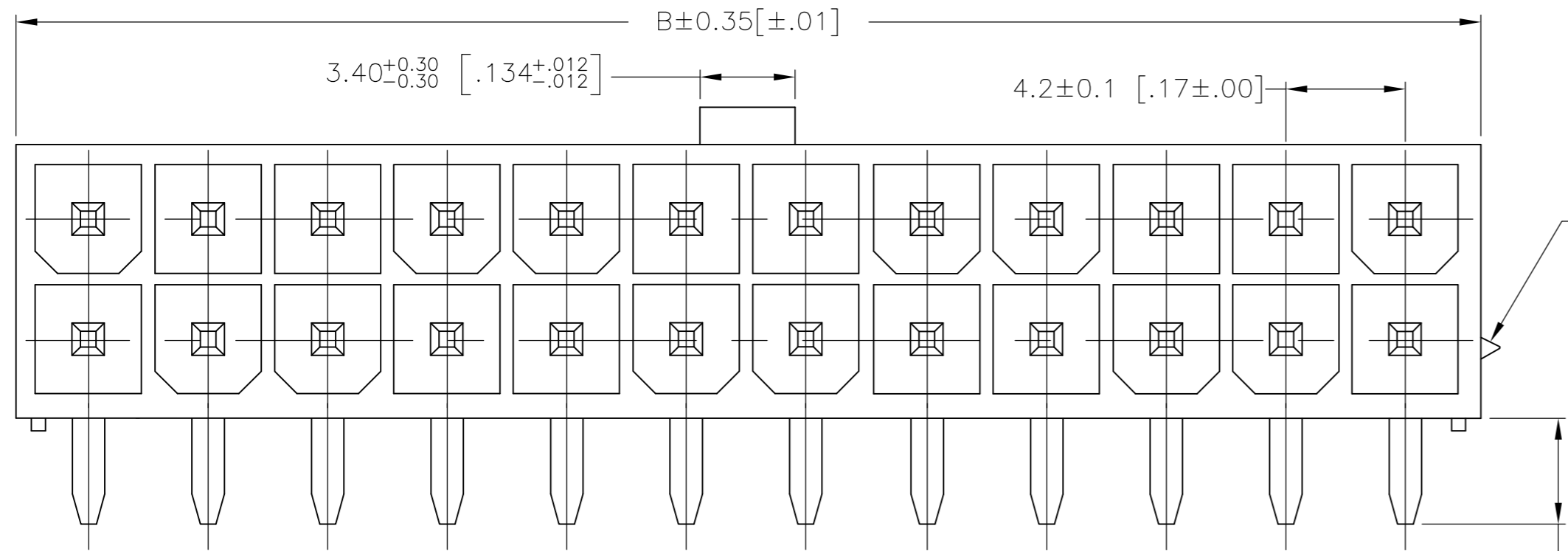


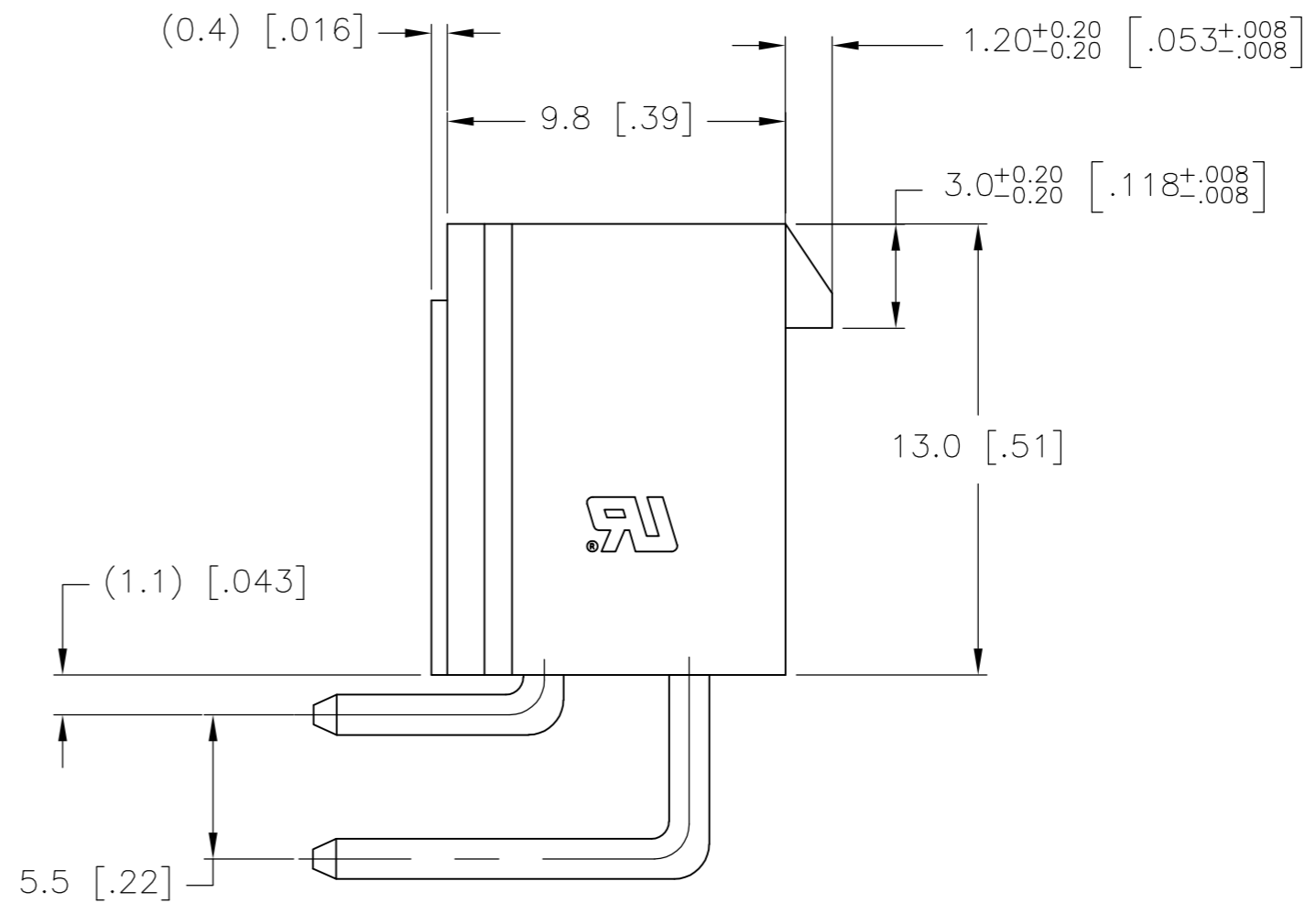
THIS DRAWING IS UNPUBLISHED. RELEASED FOR PUBLICATION
 © COPYRIGHT - By - ALL RIGHTS RESERVED.

LOC	DIST	REVISIONS					
CM	00	P	LTR	DESCRIPTION	DATE	DWN	APVD
		B4		REVISED PER ECR-12-021619	17DEC2012	A.Z	F.M
		B5		REVISED PER ECR-14-015562	20OCT2014	A.Z	D.Z
		B6		REVISED PER ECR-14-017923	16FEB2015	AV	D.Z



PCB LAYOUT: COMPONENT SIDE
 RECOMMENDED BOARD THICKNESS 1.60 [.063]

- 1 MATERIAL: HOUSING-NYLON, UL94V-0 (COLOR SEE TABLE, COLOR OF PARTS MAY VARY) CONTACTS-0.25 [.010] THICK BRASS ALLOY.
- 2 CONTACT FINISH: 0.002032 [.000080] MIN MATTE TIN OVER 0.000381 [.000015] MIN NICKEL OVER ENTIRE CONTACT.
- 3 MATES WITH VAL-U-LOK(TM) RECEPTACLE HOUSINGS.
- 4 PRELIMINARY-NOT FOR PRODUCTION.



4	COLOR	POS	A	B±0.35[±.01]	PART NUMBER
	BLACK	6	8.4±0.1 [.33±.00]	13.8 [.54]	3-1586042-6
	NATURAL	2		5.4 [.21]	1586042-2
	NATURAL	4	4.2±0.1 [.17±.00]	9.6 [.38]	1586042-4
	NATURAL	6	8.4±0.1 [.33±.00]	13.8 [.54]	1586042-6
	NATURAL	8	12.6±0.1 [.50±.00]	18.0 [.71]	1586042-8
	NATURAL	10	16.8±0.1 [.66±.00]	22.2 [.87]	1-1586042-0
	NATURAL	12	21.0±0.2 [.83±.01]	26.4 [1.04]	1-1586042-2
	NATURAL	14	25.2±0.2 [.99±.01]	30.6 [1.21]	1-1586042-4
	NATURAL	16	29.4±0.2 [1.16±.01]	34.8 [1.37]	1-1586042-6
	NATURAL	18	33.6±0.2 [1.32±.01]	39.0 [1.54]	1-1586042-8
	NATURAL	20	37.8±0.2 [1.49±.01]	43.2 [1.70]	2-1586042-0
	NATURAL	22	42.0±0.2 [1.65±.01]	47.4 [1.87]	2-1586042-2
	NATURAL	24	46.2±0.2 [1.82±.01]	51.6 [2.03]	2-1586042-4
	COLOR	POS	A	B±0.35[±.01]	PART NUMBER

2-1586042-4 SHOWN

THIS DRAWING IS A CONTROLLED DOCUMENT.

DIMENSIONS: mm [INCHES]	TOLERANCES UNLESS OTHERWISE SPECIFIED: 0 PLC ± 1 PLC ± 0.5 [.02] 2 PLC ± 0.5 [.02] 3 PLC ± 0.25 [.010] 4 PLC ± 0.150 [0059] ANGLES ±	DWN S. HOOVER 18-SEP-2002 CHK D. COLEY 18-SEP-2002 APVD D. COLEY 18-SEP-2002 PRODUCT SPEC 108-2112 APPLICATION SPEC 114-13172	NAME TE Connectivity RIGHT ANGLE HEADER, WITHOUT PEGS VAL-U-LOK(TM)
MATERIAL 1	FINISH 2	WEIGHT CUSTOMER DRAWING	SIZE A2 CAGE CODE 00779 DRAWING NO C=1586042 RESTRICTED TO -
SCALE 10:1		SHEET 1 of 1	REV B6